

Miele

Reliable cleaning performance The PG 8504 undercounter labwasher

Miele Professional. Immer Besser.



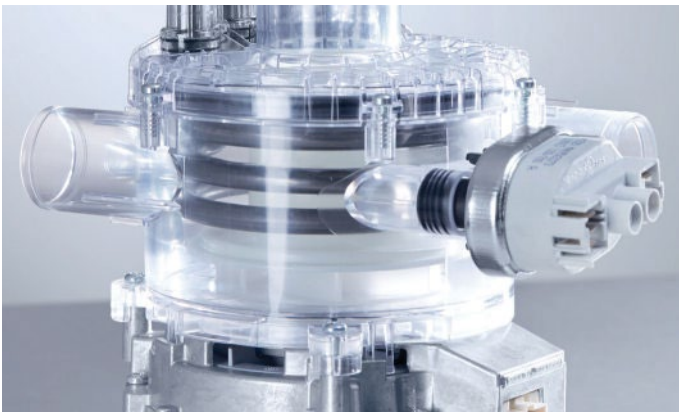
Product Benefits

PG 8504



More Capacity

- High capacity (e.g. up to 64 injector nozzles when using two modules for laboratory glassware), achieved through optimized chamber dimensions and a completely redesigned range of load carriers, saves time, storage space and costs
- Rear basket docking enables full use of space in load carriers
- Laboratory glassware turnaround is increased and work is sped up during peak hours



Efficiency and purity

- Excellent cleaning performance
- Variable-speed pump for perfect spray pressure in all program phases
- Laser technology is used to weld the chamber sections to give a perfectly smooth, crevice-free finish for the ultimate in hygiene
- No more heater elements in the wash chamber
- Multi-stage filtration system is highly efficient in removing particulate soil from water in circulation



Greater Flexibility

- A new, modular basket concept offers maximum flexibility and intuitive operation as modules can be used in different combinations and can easily be reconfigured
- Wide range of combination options guarantees flexibility in catering for different loads
- Reduction in number of load carriers needed saves on investments and storage space



Labwasher Overview

PG 8504



Lab washers (left to right)	PG 8504
Labwasher Height x Width x Depth [mm(in)]	835 (32 7/8) x 600 (23 5/8) x 600 (23 5/8)
Usable wash cabinet HxWxD ¹ [mm(in)]	520 (20 1/2) x 530 (20 7/8) x 520 (20 1/2) ¹ Depth of Lower basket
Usable chamber volume [L(cu.ft)]	145 (5.12)
Capacity	
Lab vials	128
Pipettes	98
Mixed load of laboratory glassware and pipettes	130
Drying	–
Integrated dispenser pump	–
Drawer for supply canisters (3 x 5 l or 2 x 10 l)	–
Electrical connection 3 AC 208 V, 60 Hz	•
Total rated load [kW]	6.1
PD Powder Dispensing	
USA	10250010
Canada	62 8504 01 CDN

Programs; Cycle Times, Consumption

PG 8504	Main Wash				Drying		
	Cycle time [mins.]	CW [l]	HW [l]	DI [l]	Energy [kWh]	Cycle time [mins.]	Energy [kWh]
Short	35	26.0		9.0	1.9	-	-
Regular	36	26.0		9.0	1.9	-	-
Extended	42	35.0		9.0	2.2	-	-
DI water rinse	8	-		10.0	0.01	-	-
Rinse	4	10.0			0.01	-	-

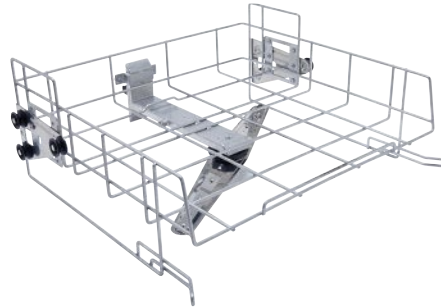
Electrical connection 2AC 208/240V; 3AC 208/240V, 60 Hz, 6.2kW (heating: 5.4 kW, connection to cold water (15°C), hot water (65°C) and demineralized water (15°C))

Upper and lower baskets



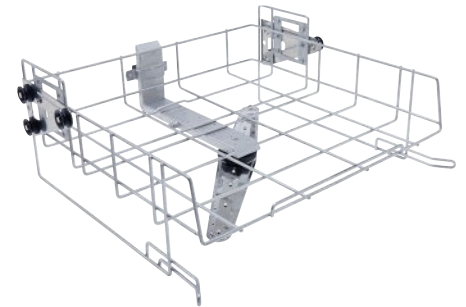
A 100 upper basket for modules

- Upper basket with two docking pipes
- For the connection of up to two injector modules or inserts
- Automatically self-sealing docking valves
- Usable space: H 235, W 485, D 435 mm
- H 141, W 528, D 525 mm
- Mat No. 9862320



A 101 upper basket/open front

- Open front
- For various inserts
- Height-adjustable
- Built-in spray arm
- Usable space: H 160 +/- 30, W 475, D 443 mm
- H 206, W 528, D 527 mm
- Mat No. 9862340



A 102 upper basket/open front

- Open front
- For various inserts
- Height-adjustable
- Built-in spray arm
- Usable space: H 205 +/- 30 mm, W 475 mm, D 443 mm
- H 206, W 528, D 527 mm
- Mat No. 9862360



A 150 lower basket for modules

- Lower basket with two docking pipes
- For the connection of up to two injector modules or inserts
- Automatically self-sealing docking valves
- Usable space: W 490, D 435 mm
- Usable height dependent on upper basket:
- A 100: 235 mm
- A 101: 275 +/- 30 mm
- A 102: 230 +/- 30 mm
- H 154, W 529, D 546 mm
- Mat. No. 9862400



A 151 lower basket/open front

- For various inserts
- Usable space: H 495, W 490, D 498 mm
- Usable height dependent on upper basket:
- A 100: 235 mm
- A 101: 275 +/- 30 mm
- A 102: 230 +/- 30 mm
- H 88, W 529, D 522 mm
- Mat No. 9862410



E 802 rinse nozzle

- For use with injector modules to rinse out powder residue from door dispenser
- H 187, W 30, D 15 mm
- Mat No. 9863070

SimpleLoad – Fast loading and highly efficient use of chamber space. The new loading system for cleaning laboratory glassware.

Miele reinvents loading: with SimpleLoad

SIMPLELOAD

SimpleLoad means efficiency

and a systematic approach to convenience:

- New injector nozzles (3 diameters, 6 lengths)
- New plastic holders and support frames
- New injector modules (8, 18 or 32 injectors)
- New support frames (for 8, 18 or 32 injector positions)

- New injector system for all common injector modules and a large number of further load carriers
- Optimum use of available vertical clearance
- Particularly fast and simple arrangement of load
- Thorough internal cleaning of glassware of all shapes and sizes
- Secure hold and exceptional material protection during wash cycle



Even if a nozzle tip rests against the base of a glass, the new injectors still guarantee thorough cleaning. The new support frame surrounds the injectors in the module or basket, preventing lateral movement without wasting valuable height.



The new support frame provides additional hold. When required, it is placed on top of the injector module, providing a secure hold to even large items of laboratory glassware in a vertical and protected position.

Injector modules for laboratory glassware

For use with A 100 upper basket and A 150 lower basket

2x4 Configuration



A 300/3 module 2x4

- For laboratory glassware, e.g. Erlenmeyer flasks, round flasks, laboratory bottles, measuring flasks and measuring cylinders (250 - 1,000 ml)
- 4x A 840 injector nozzles, 4x A 841 injector nozzles
- H 228, W 208, D 479 mm
- Mat. No. 11116900

A 300/2 module 2x4 (w/o nozzles)

- For laboratory glassware, e.g. Erlenmeyer flasks, round flasks, laboratory bottles, measuring flasks and measuring cylinders
- For up to 8 injector nozzles (particularly suitable for Ø 6 mm, e.g. A 840 or A 841, other diameters possible depending on application)
- H 73, W 133, D 475 mm
- Mat. No. 11056770



A 840 injector nozzle Ø 6x130 mm

- Also come in sets of 5, 10, 20
- Mat.No. 11056100



A 841 injector nozzle Ø 6 x 210 mm

- Also come in sets of 5, 10, 20
- Mat.No. 11056190



A 860 support frame 2x4

- For improved protection and centering of load items
- For use with A 300/3 und A 300/2 modules
 - Mat. No. 11056800

Injector modules for laboratory glassware

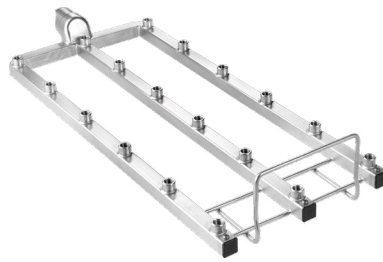
For use with A 100 upper basket and A 150 lower basket

3x6 Configuration



A 301/5 module 3x6

- For laboratory glassware, e.g. Erlenmeyer flasks, round flasks, laboratory bottles, measuring flasks and measuring cylinders (50 - 250 ml)
- 9x A 842 injector nozzles, 9x A 843 injector nozzles
- H 203, W 229, D 493 mm
- Mat. No. 11116950



A 301/4 module 3x6 (w/o nozzles)

- For laboratory glassware, e.g. Erlenmeyer flasks, round flasks, laboratory bottles, measuring flasks and measuring cylinders
- For up to 18 injector nozzles (particularly suitable for Ø 4 mm, e.g. A 842 or A 843, other diameters possible depending on application)
- H 73, W 173, D 475 mm
- Mat. No. 11056780



A 842 injector nozzle Ø 4 x 90 mm

- Also come in sets of 5, 10, 20
- Mat.No. 11056330



A 843 injector nozzle Ø 4 x 185 mm

- Also come in sets of 5, 10, 20
- Mat.No. 11056440



A 861 support frame 3x6

- For improved protection and centering of load items
- For use with A 301/5 and A 301/4 modules
- Mat. No. 11056810

Injector modules for laboratory glassware

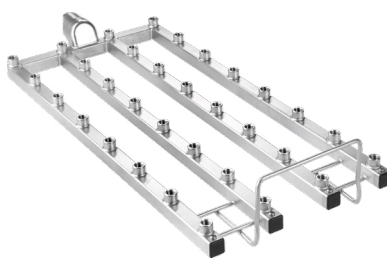
For use with A 100 upper basket and A 150 lower basket

4x8 Configuration



A 302/3 module 4x8

- For laboratory glassware, e.g. Erlenmeyer flasks, round flasks, laboratory bottles, measuring flasks and measuring cylinders (25 - 100 ml)
- 16x A 844 injector nozzles, 16x A 845 injector nozzles
- H 143, W 240, D 477 mm
- Mat. No. 11116960



A 302/2 module 4x8 (w/o nozzles)

- For laboratory glassware, e.g. Erlenmeyer flasks, round flasks, laboratory bottles, measuring flasks and measuring cylinders
- For up to 32 injector nozzles (particularly suitable for \varnothing 2.5 mm, e.g. A 844 or A 845, other diameters possible depending on application)
- H 73, W 195, D 475 mm
- Mat. No. 11056790



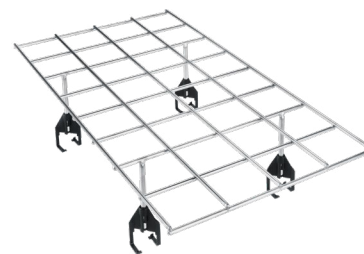
A 844 injector nozzle \varnothing 2.5 x 80 mm

- Also come in sets of 5, 10, 20
- Mat.No. 11056600



A 845 injector nozzle \varnothing 2.5 x 125 mm

- Also come in sets of 5, 10, 20
- Mat.No. 11056670



A 862 support frame 4x8

- For improved protection and centering of load items
- For use with A 302/3 und A 302/2 modules
- Mat No. 11056820

Inserts



E 106 insert 1/2 (illustrated)

- For wide-necked glassware, measuring cylinders, etc.
- 10 spring hooks, H 175 mm
- 16 spring hooks, H 105 mm, spacing approx. 60 mm
- H 186, W 220, D 445 mm
- Mat. No. 3808310

E 106/1 insert 1/2

- 26 small spring hooks, H 105 mm, spacing approx. 60 mm
- H 116, W 220, D 445 mm
- Mat. No. 3808320

E 106/2 insert 1/2

- 13 large spring hooks, H 175 mm, spacing approx. 85 mm
- H 186, W 220, D 445 mm
- Mat. No. 3808330



E 109 insert 1/2 (illustrated)

- For 21 beakers up to 250 ml
- 21 x 3 spikes
- H 155, W 230, D 460 mm
- Mat. No. 3808360

E 110 insert 1/2

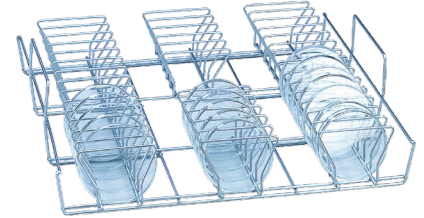
- For 10 beakers, 250 ml to 600 ml
- 10 x 3 spikes
- H 175, W 230, D 460 mm
- Mat. No. 3808390

E 111 insert 1/2

- For 8 beakers, 600 to 1,000 ml
- 8 x 3 spikes
- H 205, W 230, D 460 mm
- Mat. No. 3808420

E 144 insert 1/2

- For 18 beakers up to 250 ml
- 18 x 3 spikes
- H 131, W 200, D 445 mm
- Mat. No. 3808710



E 118 insert 1/1

- For 38 Petri half-dishes, 100 mm
- 38 holders, Height 70 mm
- Spacing approx. 26 mm
- H 120, W 460, D 445 mm
- Mat. No. 3830270



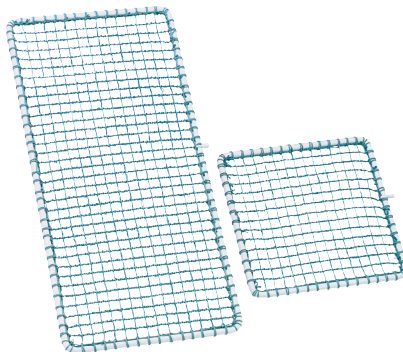
E 136 insert 1/1

- For 56 Petri half-dishes, 100 mm
- 56 holders, Height 70 mm
- Spacing approx. 26 mm
- H 145, W 485, D 445 mm
- Mat. No. 3830280



E 134 insert 1/2

- For 210 slides
- 210 compartments 26 x 11 mm
- Wire gauge 3 mm
- H 73, W 200, D 445 mm
- Mat. No. 3808600



A 2 cover net 1/2 (similar to photo)

- Plastic-coated metal frame with plastic netting
- For 1/2 inserts
- 216 x 456 mm
- Mat. No. 3830460

A 3 cover net 1/4 (similar to photo)

- Plastic-coated metal frame with plastic netting
- For 1/4 inserts
- 206 x 206 mm
- Mat. No. 3830470



E 137 insert 1/1 for E 136

- For 56 Petri half-dishes, 100 mm
- 56 holders, Height 70 mm
- Spacing approx. 26 mm
- H 95, W 485, D 445 mm
- Mat. No. 3830290

Inserts



E 403 insert 1/2

- For 105 Petri dishes, 50-60 mm
- 36 supports, distance between supports 9 mm
- H 35, W 200, D 445 mm
- Mat. No. 3830430



E 103/1 insert 1/4

- For approx. 200 test tubes, max. 12 x 75 mm
- 6 compartments, incl. A 13 lid
- Mesh size 8 x 8 mm
- H 102 (122), W 200, D 320 mm
- Mat. No. 6907630

E 104/1 insert 1/4

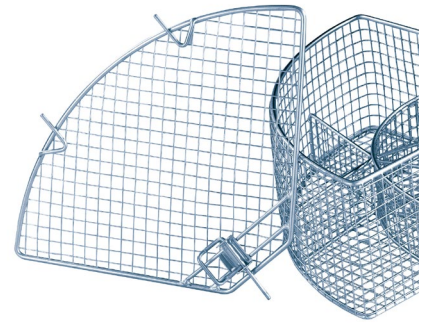
- As E 103, but for test tubes, max. 12 x 105 mm, incl. A 13 lid
- Mesh size 8 x 8 mm
- H 132 (152), W 200, D 320 mm
- Mat. No. 6907640

E 105/1 insert 1/4

- As E 103, but for test tubes, max. 12 x 165 mm, incl. A 13 lid
- Mesh size 9 x 9 mm
- H 192 (212), W 200, D 320 mm
- Mat. No. 6907650

E 139/1 insert 1/4

- As E 103, but for test tubes, max. 12 x 200 mm, incl. A 13 lid
- Mesh size 9 x 9 mm
- H 223 (243), W 200, D 320 mm
- Mat. No. 6907660



A 13/1 lid

- As replacement for E103, E104, E105 and E139 inserts
- Stainless steel
- 1 mm wire mesh
- 8 mm mesh gauge
- 4 mm all-round frame
- Mat. No. 3810200



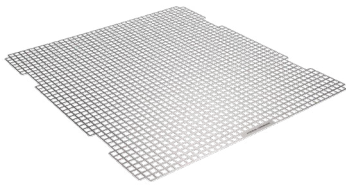
E 149 insert 1/4

- For 80 test tubes, max. 16 x 105 mm, incl. A 13 lid
- 80 compartments, 18 x 18 mm
- Mesh size on base 8 x 8 mm
- Lid available from Spares, Mat. no.: 05618390
- H 132 (152), W 200, D 320 mm
- Mat. No. 3808800



A 14/1 Lid

- For insert AK 12
- 210 x 210 mm
- Stainless steel



A11 /2 Insert 1/1 underframe

- With 8 x 8 mm perforations
- For upper or lower basket
- Covers entire basket
- Not for use in PG 8536
- H 1, W 476, D 443 mm
- Mat. no. 11239130



A 12/2 Insert 1/2 underframe

- With 8 x 8 mm perforations
- For upper or lower basket
- Covers half of basket
- Not for use in PG 8536
- H 10, W 237, D 449 mm
- Mat. no. 11238030



AK 12/1 Insert 1/2

- For various utensils, suitable e.g. for funnels, beakers, wide-necked glassware, etc.
- Flexible handle solutions suitable for many upper and lower basket as well as load carriers
- Not for PG 8536
- H 80 (120), W 229, D 445 mm
- Mat. no. 11131690

Accessories



UG 30-60/60-85

- Stainless-steel base, bolted to machine
- H 300, W 600, D 600 mm

Cleaning Agents



Recommended cleaning agents for the Miele PLW 8505 lab washer are ProCare Lab 10AP alkaline liquid cleaning agent and ProCare Lab 30C acidic neutralizer. ProCare Lab 10MA mildly alkaline cleaning agent is a less aggressive, lower alkaline alternate to the ProCare Lab 10AP for less intensive wash applications.



Valid in USA



recommended by



DURAN
WHEATON
KIMBLE



- ProCare Lab 10 MA
- Alkaline detergent
- Liquid
- Container size 10 l



- ProCare Lab 10 AP
- Alkaline detergent
- Liquid
- Container sizes 5 l, 10 l



- ProCare Lab 10 AT
- Alkaline detergent
- Liquid
- Container size 5 l



- ProCare Lab 10 AO*
- Alkaline detergent
- Liquid
- Container size 5 l



- ProCare Lab 11 AP
- Alkaline detergent
- Powder
- Container size 10 kg



- ProCare Lab 30 C
- Acidic neutralizing agent based on citric acid
- Liquid
- Container sizes 5 l, 10 l



- ProCare Lab 30P
- Acidic neutralizing agent based on phosphoric acid
- Liquid
- Container sizes 5 l



- ProCare Universal 61
- Coarse special salt
- Container size 6 kg



- Canister key
- Simplifies the opening of firmly tightened safety caps

*Note: When using detergents with active chlorine, increased wear of organic materials such as plastics and elastomers in the lab washer is to be expected. A temperature of 75°C should therefore not be exceeded in main wash cycles when using detergents containing higher concentrations of chlorine. In order to prevent such wear and tear, Miele recommends that machines be serviced annually or after 1000 operating hours. A failure to perform regular maintenance may invalidate guarantee and warranty claims. Please contact Miele Service or request an offer for a maintenance contract.

Note: Additional detergents available - please contact your Miele representative for more info.

Properties

Product	Container size	Properties	Ingredients	pH range
Main wash				
● ProCare Lab 10 MA	10 l	Liquid, alkaline Free from: Tensides and oxidative agents	Alkali hydroxide Phosphates Silicates	11.6-11.8 ²
● ProCare Lab 10 AP	5 l, 10 l	Liquid, alkaline Free from: Tensides, Phosphates and oxidative agents	Alkali hydroxide Polycarboxylates	12.5-12.7 ²
● ProCare Lab 10 AT	5 l	Liquid, alkaline contains tensides Free from: Phosphates, silicates and oxidative agents	Alkali hydroxide Polycarboxylates Tensides	12.2-12.5 ²
● ProCare Lab 10 AO*	5 l	Liquid, alkaline Oxidative Free from: Tensides	Alkali hydroxide Phosphates Chlorine bleach	11.8-12.1 ²
● ProCare Lab 11 AP	10 kg	Powder, alkaline Oxidative Free from: Phosphates,	Oxygen bleach Tensides	11.5-11.7 ¹
Neutralisation				
● ProCare Lab 30 C	5 l, 10 l	Liquid Acidic (based on citric acid) Free from: Tensides and phosphates	Citric acid	2.9 -2.5 ³
● ProCare Lab 30 P	5 l	Liquid Acidic (based on citric acid) Free from: Tensides and phosphates	Phosphoric acid	2.2-1.9 ⁴
Reactivating				
● ProCare Universal 61	6 kg	Coarse special salt for reactivation of built-in water softener		

¹ pH value (determined using fully demineralised water at 20°C) 2 to 4 g/l

² pH value (determined using fully demineralised water at 20°C) 2 to 4 g/l

³ pH value (determined using fully demineralised water at 20°C) 1 to 4 g/l

⁴ pH value (determined using fully demineralised water at 20°C) 1 to 3 g/l



Valid in Canada



ProCare Lab 10 MA

- Mildly alkaline detergent
- Liquid
- Container size 5 l
- Art.No. 10265670



ProCare Lab 10 AP

- Alkaline detergent
- Liquid
- Container sizes 5 l, 10 l



ProCare Lab 11 MA

- Alkaline detergent
- Liquid
- Container size 10 kg



ProCare Lab 11 AP

- Alkaline detergent
- Powder
- Container size 10 kg



ProCare Lab 30 C

- Acidic neutralizing agent based on citric acid
- Liquid
- Container sizes 5 l, 10 l



ProCare Lab 30P

- Acidic neutralizing agent based on phosphoric acid
- Liquid
- Container sizes 5 l, 12 kg



ProCare Universal 61

- Coarse special salt
- Container size 6 kg



Canister key

- Simplifies the opening of firmly tightened safety caps

Note: When using detergents with active chlorine, increased wear of organic materials such as plastics and elastomers in the lab washer is to be expected. A temperature of 75°C should therefore not be exceeded in main wash cycles when using detergents containing higher concentrations of chlorine. In order to prevent such wear and tear, Miele recommends that machines be serviced annually or after 1000 operating hours. A failure to perform regular maintenance may invalidate guarantee and warranty claims. Please contact Miele Service or request an offer for a maintenance contract.

Properties

Product	Container size	Properties	Ingredients	pH range
Main wash				
● ProCare Lab 10 MA	5 l	Liquid, mildly alkaline Free from: Tensides and oxidative agents	Alkali hydroxide Phosphates Silicates	11.6-11.8 ²
● ProCare Lab 10 AP	5 l, 10 l	Liquid, alkaline Free from: Tensides, Phosphates and oxidative agents	Alkali hydroxide Polycarboxylates	12.5-12.7 ²
● ProCare Lab 11 MA	10 kg	Powder, mildly alkaline Foam-retardant action Free from: Oxidative agents	Phosphates Silicates Tensides	11.7-11.9 ¹
● ProCare Lab 11 AP	10 kg	Powder, alkaline Oxidative Free from: Phosphates,	Oxygen bleach Tensides	11.5-11.7 ¹
Neutralisation				
● ProCare Lab 30 C	5 l, 10 l	Liquid Acidic (based on citric acid) Free from: Tensides and phosphates	Citric acid	2.9 -2.5 ³
● ProCare Lab 30 P	5 l, 12 kg	Liquid Acidic (based on citric acid) Free from: Tensides and phosphates	Phosphoric acid	2.2-1.9 ⁴
Reactivating				
● ProCare Universal 61	6 kg	Coarse special salt for reactivation of built-in water softener		

¹ pH value (determined using fully demineralised water at 20°C) 2 to 4 g/l

² pH value (determined using fully demineralised water at 20°C) 2 to 4 g/l

³ pH value (determined using fully demineralised water at 20°C) 1 to 4 g/l

⁴ pH value (determined using fully demineralised water at 20°C) 1 to 3 g/l



Miele

Service Excellence

Support is always available to you.
Maintenance and service contracts

Miele Professional is synonymous with exceptional quality – not least when it comes to service. First service visits result in around 90% first-time fixes.



Miele Service Contracts

Preventative Maintenance Plan

- Annual maintenance based on specific Miele service plan
- Preventative exchange of defined parts subject to wear and tear included

Protection Plan: US only

- Thorough testing of machine functions during scheduled service
- Charges for on-site labour and materials included

Terms and Conditions apply.
Travel charges are not included.

Full Protection Plan

- Annual maintenance based on specific Miele service plan
- Inspection of the machine functions
- Preventative exchange of defined parts subject to wear and tear included
- Charges for on-site labour and material included

Terms and Conditions apply.
Travel charges are not included.

Machine qualification IQ / OQ

- Installation Qualification
- Operation Qualification

Comprehensive service from the very start

Even before a machine is installed, Miele's sales force is available to provide in-depth advice. Experienced experts assist in selecting the most suitable machines and configurations to suit individual needs.

Service to meet professional expectations

Highly qualified service technicians support customers with the delivery and commissioning of machines and perform routine checks during use. This prevents downtimes and helps to optimize operating parameters. Regular checks and maintenance prolongs the life expectancy of the machines.

- Quality service through network of technicians
- 90% of service calls result in first-time fixes
- Reliable spares service, key functional parts available for up to 15 years after series production ceases.

Customized service contracts and inspections

Miele Professional offers laboratories of all sizes tailored annual service contracts. During the terms of these contracts, Miele service technicians regularly inspect the condition of machines, depending on the type of contract. Scheduled inspection and maintenance appointments prevent breakdowns, increase the life expectancy of machines and contribute towards safeguarding investments.



Miele Inc.
9 Independence Way
Princeton, NJ 08540

Toll Free: 800-991-9380
Fax: 609-419-4241

proinfo@mieleusa.com
www.mieleusa.com/professional



Miele Limited
61 Four Valley Drive
Vaughan, ON, L4K 4V8

Toll Free: 888-325-3957

professional@miele.ca
www.mieleprofessional.ca



since 1899

Forever Better

Since 1899, Miele – a family run company – has subscribed to a clear corporate philosophy condensed into the two words “Forever better.” This far-reaching claim is the bedrock of Miele’s proverbial quality and sustainability and the power of innovation of a brand “Made in Germany.” A brand promise which gives commercial users the certainty of having chosen the right product.

Award-winning

Uncompromising product reliability and service dependability is the reason why customers have repeatedly voted Miele the best and most trustworthy brand. Coveted awards such as the MX Award, the iF and reddot Design Awards and the German Sustainability Prize confirm the distinguished position Miele enjoys with respect to design, quality management and the sparing use of resources.

Proficient

Miele Professional has been developing and manufacturing a broad range of high quality laundry machines, dishwashers, washer-disinfectors and sterilizers for decades. Carefully selected accessories, comprehensive advisory services and a fast-acting Miele service department ensures that machines perform to satisfaction and offer the ultimate in performance and efficiency.

Miele Professional on the web

- For detailed information on technical data, features and accessories
- Brochures on all product groups and applications available as downloads
- Detailed information, instructions and product presentations on Miele Professional's YouTube channel