



Price List Cleaning

January 2025



Table of Content

| | |
|---|----|
| Dishwashers | 04 |
| Dishwasher Feature Highlights | 04 |
| Dishwasher | 05 |
| Handle Options | 20 |
| Professional for the Home Dishwashers | 22 |
| Professional for the Home Dishwasher Feature Highlights | 22 |
| Professional for the Home Dishwasher | 23 |
| Laundry | 36 |
| Laundry Feature Highlights | 36 |
| Laundry | 37 |
| Rotary Iron | 47 |
| Professional for the Home Laundry | 48 |
| Professional for the Home Laundry Feature Highlights | 48 |
| Professional for the Home Laundry | 49 |
| Professional Rotary Iron | 51 |
| Accessories & Consumables | 52 |

Product Highlights

Dishwashers

*See specific models for details

| FEATURE | DESCRIPTION |
|---------------------------|---|
| EcoPower Technology | With a innovative water flow system, G7000 dishwashers save both water and energy. In the Auto program, run a full cycle using less than 1.6 gallons of water. |
| 3D MultiFlex Cutlery Tray | Provides a new level of convenience by adapting instantly to accommodate larger utensils, as well as taller stemware in the upper basket. |
| BrilliantLight | Four powerful LED lights illuminate the dishwasher from the inside out. |
| AutoOpen Drying | The dishwasher door automatically opens at the end of the cycle, allowing air to escape and circulate for perfect drying. |
| AutoDos with PowerDisk | In G 7000 dishwashers, the integrated PowerDisk® automatically dispenses the correct amount of detergent in accordance with the selected program and degree of soiling. |
| FlexLine Baskets | Easily adjustable to accommodate a wide array of dishware, utensils, stemware, pots and pans. |
| Knock2Open | Automatic door opening after two knocks. Integrates seamlessly in a handleless kitchen. |
| QuickIntenseWash | Excellent cleaning and drying results for normally soiled dishes in only 58 minutes. |
| SaniWash | High temperature program for deep cleaning results. |
| Miele@home | Access your appliance from your smart device for maximum convenience. |
| AutoSensor | Automatically adjusts program Time, Temperature, & Water volume based on multiple measurements of turbidity |
| Certified Hygiene Seal |  <p>All Miele dishwashers remove more than 99.9% of specific bacteria.*</p> |
| Golden Virus Seal |  <p>All Miele dishwashers remove more than 99.9% of all viruses.*</p> |

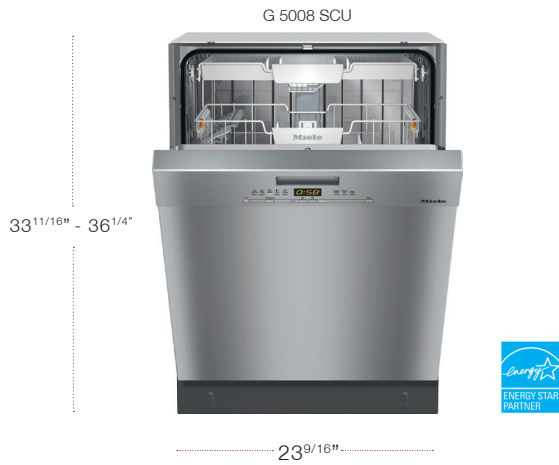
Certified Hygiene Seal

*Approved by Rhein-Waal University. This certification attests that all G 5000 and G 7000 dishwashers with the SaniWash or Pots & Pans program offer particularly hygienic cleaning. This applies both with (standard) detergent or even without cleaning agent altogether.

Golden Virus Seal

*Approved by Albstadt-Sigmaringen University. Depending on the program selected, different types of viruses are getting removed. In all programs, including Economy, enveloped viruses including the Coronavirus are removed. This certification is based on the use of Miele PowerDisk and Miele UltraTabs detergents.

24" Dishwasher - Pre-Finished



| MODEL | HANDLE TYPE | MATERIAL | UMRP/RETAIL |
|----------------------------------|-------------------|----------|-------------------|
| G 5008 SCU Clean Touch Steel™ | Integrated Handle | 11966810 | \$1,299 / \$1,399 |

| OPTIONAL ACCESSORIES | MATERIAL | UMRP |
|----------------------------------|----------|------|
| GPL 77-1 SS Filler Strips (pair) | 6415910 | \$67 |

SPECIFICATIONS

| | |
|---------------------|---|
| Width | 23 ^{9/16} in (598 mm) |
| Height | 33 ^{11/16} - 36 ^{1/4} in (855 - 920 mm) |
| Depth | 22 ^{7/16} in (570 mm) |
| Shipping Weight | 121 lbs (55 kg) |
| Annual Energy Usage | 230 kWh |
| Decibel rating | 44 dBA |
| ADA Compliant | No |

FEATURES

- EcoPower Technology
- Controls: DirectSelect, front
- Original Cutlery Tray
- Basket Design: Comfort
- Door design: ComfortClose
- No. of Standard Place Settings: 16
- Double Waterproof System
- AutoSensor / Load Sensor

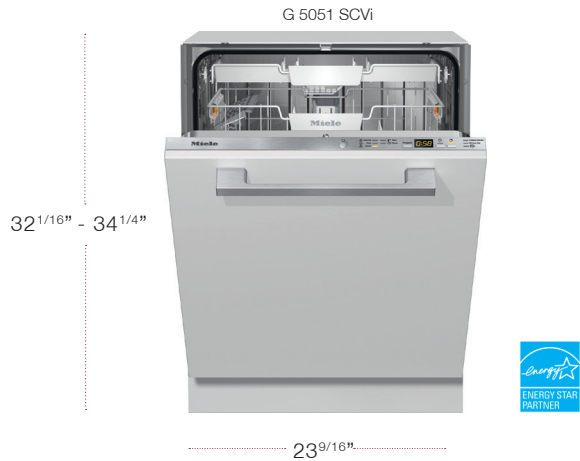
PROGRAMS

- Normal
- QuickIntenseWash
- Pots & Pans
- SaniWash
- Rinse & Hold

OPTIONS

- Express
- Extra Clean
- Extra Dry
- Delay Start

24" Dishwasher - Pre-Finished



| MODEL | HANDLE TYPE | MATERIAL | UMRP/RETAIL |
|------------------------------|-------------|----------|-------------------|
| G 5051 SCVi ADA Custom Panel | No Handle | 11636710 | \$1,349 / \$1,449 |

| OPTIONAL ACCESSORIES | MATERIAL | UMRP/RETAIL |
|--|---------------------|---------------|
| GPL 77-1 SS Filler Strips (pair) | 6415910 | \$67 / \$67 |
| GFVi 701/72 Fully Integrated Panel Full Size, Clean Touch Steel™, 6" toe-kick, no handle | 12670590 (10986740) | \$349 / \$399 |

SPECIFICATIONS

| | |
|---------------------|--|
| Width | 23 ^{9/16} in (598 mm) |
| Height | 32 ^{1/16} - 34 ^{1/4} in (814 - 870 mm) |
| Depth | 22 ^{7/16} in (570 mm) |
| Shipping Weight | 121 lbs (55 kg) |
| Annual Energy Usage | 230 kWh |
| Decibel rating | 44 dBA |
| ADA Compliant | Yes |

FEATURES

- EcoPower Technology
- Controls: DirectSelect, hidden
- Original Cutlery Tray
- Basket Design: Comfort
- Door design: ComfortClose
- No. of Standard Place Settings: 16
- Double Waterproof System
- AutoSensor / Load Sensor

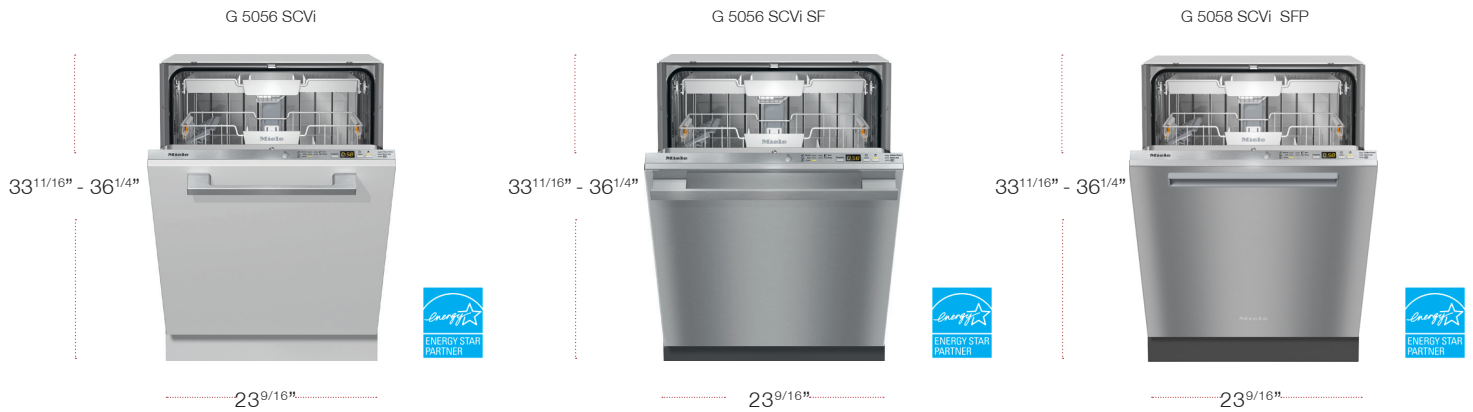
PROGRAMS

- Normal
- QuickIntenseWash
- Pots & Pans
- SaniWash
- Rinse & Hold

OPTIONS

- Express
- Extra Clean
- Extra Dry
- Delay Start

24" Dishwasher - Fully Integrated



| MODEL | HANDLE TYPE | MATERIAL | UMRP/RETAIL |
|---------------------------------------|-----------------|----------|-------------------|
| G 5056 SCVi Custom Panel | No Handle | 11636720 | \$1,349 / \$1,449 |
| G 5056 SCVi SF Clean Touch Steel™ | PureLine Handle | 11695330 | \$1,499 / \$1,599 |
| G 5058 SCVi SFP Clean Touch Steel™ | Pocket Handle | 11966820 | \$1,499 / \$1,599 |

| OPTIONS |
|---------------|
| - Express |
| - Extra Clean |
| - Extra Dry |
| - Delay Start |

| SPECIFICATIONS | |
|---------------------|---|
| Width | 23 ^{9/16} in (598 mm) |
| Height | 33 ^{11/16} - 36 ^{1/4} in (855 - 920 mm) |
| Depth | 22 ^{7/16} in (570 mm) |
| Shipping Weight | 121 lbs (55 kg) |
| Annual Energy Usage | 230 kWh |
| Decibel rating | 44 dBA |
| ADA Compliant | No |

| OPTIONAL ACCESSORIES VI | MATERIAL | UMRP/RETAIL |
|--|---------------------|---------------|
| GPL 77-1 SS Filler Strips (pair) | 6415910 | \$67 / \$67 |
| GFVi 701/72 Fully Integrated Panel Full Size, Clean Touch Steel™, 6" toekick, no handle | 10986740 (12670590) | \$349 / \$399 |
| GFVi 701/77 Fully Integrated Panel Full Size, Clean Touch Steel™, 4" toekick, no handle | 12670600 (10986750) | \$349 / \$399 |
| GFVi 710/77 Fully Integrated Panel Full Size, Clean Touch Steel™, 4" toekick, PureLine handle | 12074350 | \$449 / \$499 |
| GFVi 711/72 Fully Integrated Panel Full Size, Clean Touch Steel™, 6" toekick, ContourLine handle | 12074400 | \$449 / \$499 |
| GFVi 711/77 Fully Integrated Panel Full Size, Clean Touch Steel™, 4" toekick, ContourLine handle | 12074450 | \$449 / \$499 |
| GFVi 712/77 Fully Integrated Panel Full Size, Clean Touch Steel™, 4" toekick, Range Panel | 12074470 | \$449 / \$499 |
| GFVi 709/77 Fully Integrated Panel Full Size, Clean Touch Steel™, 4" toekick, Pocket handle | (12672750) 11750840 | \$449 / \$499 |

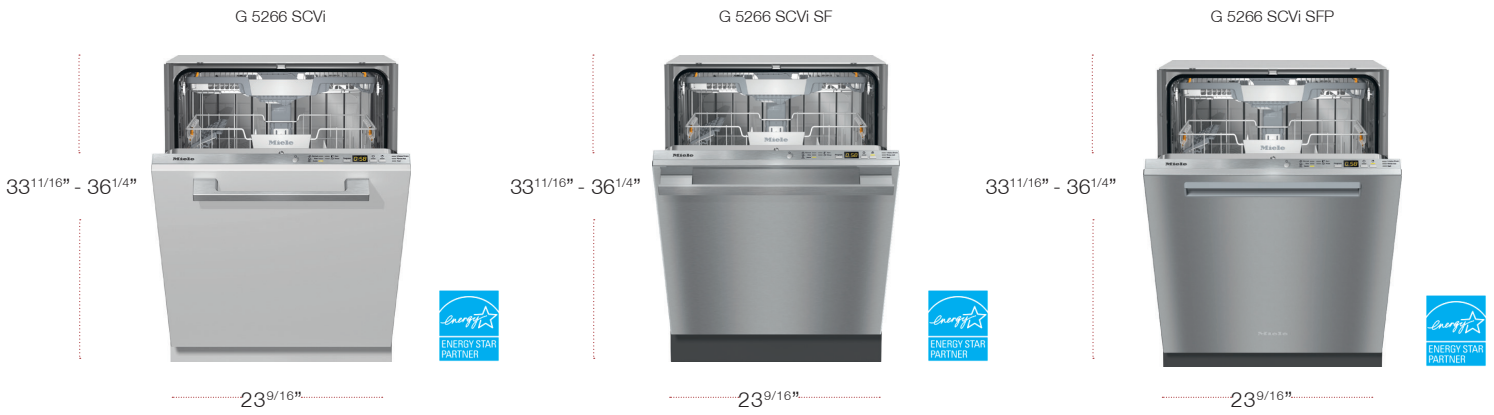
| FEATURES | |
|----------------------------------|--------------------------------------|
| - EcoPower Technology | - No. of Standard Place Settings: 16 |
| - Controls: DirectSelect, hidden | - Double Waterproof System |
| - Original Cutlery Tray | - AutoSensor / Load Sensor |
| - Basket Design: Comfort | |
| - Door design: ComfortClose | |

| PROGRAMS |
|--------------------|
| - Normal |
| - QuickIntenseWash |
| - Pots & Pans |
| - SaniWash |
| - Rinse & Hold |

| OPTIONAL ACCESSORIES SF(P) | MATERIAL | UMRP |
|----------------------------------|----------|------|
| GPL 77-1 SS Filler Strips (pair) | 6415910 | \$67 |

*Handles sold separately.
See page 20 for full list of handle options.

24" Dishwasher - Fully Integrated



| MODEL | HANDLE TYPE | MATERIAL | UMRP/RETAIL |
|---------------------------------------|-----------------|----------|-------------------|
| G 5266 SCVi Custom Panel | No Handle | 11636740 | \$1,599 / \$1,699 |
| G 5266 SCVi SF Clean Touch Steel™ | PureLine Handle | 11636750 | \$1,749 / \$1,849 |
| G 5266 SCVi SFP Clean Touch Steel™ | Pocket Handle | 11695340 | \$1,749 / \$1,849 |

- OPTIONS**
- Express
 - Extra Clean
 - Extra Dry
 - Delay Start

| SPECIFICATIONS | |
|---------------------|---|
| Width | 23 ⁹ / ₁₆ in (598 mm) |
| Height | 33 ¹¹ / ₁₆ - 36 ¹ / ₄ in (855 - 920 mm) |
| Depth | 22 ⁷ / ₁₆ in (570 mm) |
| Shipping Weight | 121 lbs (55 kg) |
| Annual Energy Usage | 230 kWh |
| Decibel rating | 42 dBA |
| ADA Compliant | No |

| OPTIONAL ACCESSORIES Vi | MATERIAL | UMRP/RETAIL |
|--|---------------------|---------------|
| GPL 77-1 SS Filler Strips (pair) | 6415910 | \$67 / \$67 |
| GFVi 701/72 Fully Integrated Panel Full Size, Clean Touch Steel™, 6" toekick, no handle | 12670590 (10986740) | \$349 / \$399 |
| GFVi 701/77 Fully Integrated Panel Full Size, Clean Touch Steel™, 4" toekick, no handle | 12670600 (10986750) | \$349 / \$399 |
| GFVi 710/77 Fully Integrated Panel Full Size, Clean Touch Steel™, 4" toekick, PureLine handle | 12074350 | \$449 / \$499 |
| GFVi 711/72 Fully Integrated Panel Full Size, Clean Touch Steel™, 6" toekick, ContourLine handle | 12074400 | \$449 / \$499 |
| GFVi 711/77 Fully Integrated Panel Full Size, Clean Touch Steel™, 4" toekick, ContourLine handle | 12074450 | \$449 / \$499 |
| GFVi 712/77 Fully Integrated Panel Full Size, Clean Touch Steel™, 4" toekick, Range Panel | 12074470 | \$449 / \$499 |
| GFVi 709/77 Fully Integrated Panel Full Size, Clean Touch Steel™, 4" toekick, Pocket handle | 12672750 (11750840) | \$449 / \$499 |

- FEATURES**
- EcoPower Technology
 - Controls: DirectSelect, hidden
 - 3D MultiFlex Cutlery Tray
 - Basket Design: Comfort
 - AutoOpen Drying
 - SensorDry
 - No. of Standard Place Settings: 16
 - Double Waterproof System
 - AutoSensor / Load Sensor
 - Water Softener
 - Door design: CofmortClose

| OPTIONAL ACCESSORIES SF(P) | MATERIAL | UMRP |
|----------------------------------|----------|------|
| GPL 77-1 SS Filler Strips (pair) | 6415910 | \$67 |

- PROGRAMS**
- Normal
 - QuickIntenseWash
 - Pots & Pans
 - SaniWash
 - Rinse & Hold

*Handles sold separately. See page 20 for full list of handle options.

24" Dishwasher - Fully Integrated



| MODEL | HANDLE TYPE | MATERIAL | UMRP/RETAIL |
|------------------------------|-------------|----------|-------------------|
| G 7193 SCVi ADA Custom Panel | No Handle | 12496700 | \$1,949 / \$2,049 |

SPECIFICATIONS

| | |
|---------------------|--|
| Width | 23 ⁹ / ₁₆ in (598 mm) |
| Height | 32 ¹ / ₁₆ - 34 ¹ / ₄ in (814 - 870 mm) |
| Depth | 22 ⁷ / ₁₆ in (570 mm) |
| Shipping Weight | 121 lbs (55 kg) |
| Annual Energy Usage | 230 kWh |
| Decibel rating | 39 dBA (37 Extra Quiet Program) |
| ADA Compliant | Yes |

FEATURES

- EcoPower Technology
- Controls: DirectSelect, hidden
- 3D MultiFlex Cutlery Tray
- AutoOpen Drying
- SensorDry
- AutoDos with PowerDisk
- Basket Design: ExtraComfort
- No. of Standard Place Settings: 16
- Double Waterproof System
- Miele@home
- AutoSensor / Load Sensor
- Water Softener

PROGRAMS

- Normal
- QuickIntenseWash
- Pots & Pans
- SaniWash
- Rinse & Hold
- China & Crystal

OPTIONS

- Express
- Extra Clean
- Extra Dry
- Intense Zone
- Delay Start

| OPTIONAL ACCESSORIES | MATERIAL | UMRP/RETAIL |
|--|---------------------|---------------|
| GPL 77-1 SS Filler Strips (pair) | 6415910 | \$67 / \$67 |
| GFVi 701/72 Fully Integrated Panel Full Size, Clean Touch Steel™, 6" toe-kick, no handle | 12670590 (10986740) | \$349 / \$399 |

*Handles sold separately.
See page 20 for full list of handle options.

24" Dishwasher - Pre-Finished



| MODEL | HANDLE TYPE | MATERIAL | UMRP/RETAIL |
|----------------------------------|-------------------|----------|-------------------|
| G 7216 SCU Clean Touch Steel™ | Integrated Handle | 12497130 | \$1,749 / \$1,849 |

| OPTIONAL ACCESSORIES | MATERIAL | UMRP |
|----------------------------------|----------|------|
| GPL 77-1 SS Filler Strips (pair) | 6415910 | \$67 |

SPECIFICATIONS

| | |
|---------------------|---|
| Width | 23 ^{9/16} in (598 mm) |
| Height | 33 ^{11/16} - 36 ^{1/4} in (855 - 920 mm) |
| Depth | 22 ^{7/16} in (570 mm) |
| Shipping Weight | 121 lbs (55 kg) |
| Annual Energy Usage | 230 kWh |
| Decibel rating | 42 dBA |
| ADA Compliant | No |

FEATURES

- EcoPower Technology
- Controls: DirectSelect, front
- 3D MultiFlex Cutlery Tray
- AutoOpen Drying
- SensorDry
- Basket Design: ExtraComfort
- No. of Standard Place Settings: 16
- Double Waterproof System
- AutoSensor / Load Sensor
- Water Softener

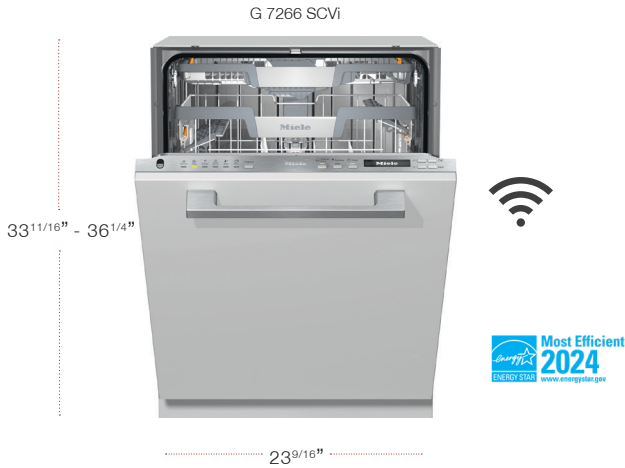
PROGRAMS

- Normal
- QuickIntenseWash
- Pots & Pans
- SaniWash
- Rinse & Hold
- China & Crystal

OPTIONS

- Express
- Extra Clean
- Extra Dry
- Intense Zone
- Delay Start

24" Dishwasher - Fully Integrated



| MODEL | HANDLE TYPE | MATERIAL | UMRP/RETAIL |
|--------------------------------------|--------------------|----------|-------------------|
| G 7266 SCVi Custom Panel | No Handle | 12497140 | \$1,749 / \$1,849 |
| G 7266 SCVi SF Clean Touch Steel™ | ContourLine Handle | 12497150 | \$1,949 / \$2,049 |

SPECIFICATIONS

| | |
|---------------------|---|
| Width | 23 ⁹ / ₁₆ in (598 mm) |
| Height | 33 ¹¹ / ₁₆ - 36 ¹ / ₄ in (855 - 920 mm) |
| Depth | 22 ⁷ / ₁₆ in (570 mm) |
| Shipping Weight | 121 lbs (55 kg) |
| Annual Energy Usage | 230 kWh |
| Decibel rating | 42 dBA |
| ADA Compliant | No |

FEATURES

- EcoPower Technology
- Controls: DirectSelect, hidden
- 3D MultiFlex Cutlery Tray
- AutoOpen Drying
- SensorDry
- Miele@home
- Basket Design: ExtraComfort
- No. of Standard Place Settings: 16
- Double Waterproof System
- AutoSensor / Load Sensor
- Water Softener

PROGRAMS

- Normal
- QuickIntenseWash
- Pots & Pans
- SaniWash
- Rinse & Hold
- China & Crystal

OPTIONS

- Express
- Extra Clean
- Extra Dry
- Intense Zone
- Delay Start

| OPTIONAL ACCESSORIES Vi | MATERIAL | UMRP/RETAIL |
|--|---------------------|---------------|
| GPL 77-1 SS Filler Strips (pair) | 6415910 | \$67 / \$67 |
| GFVi 701/72 Fully Integrated Panel Full Size, Clean Touch Steel™, 6" toekick, no handle | 12670590 (10986740) | \$349 / \$399 |
| GFVi 701/77 Fully Integrated Panel Full Size, Clean Touch Steel™, 4" toekick, no handle | 12670600 (10986750) | \$349 / \$399 |
| GFVi 710/77 Fully Integrated Panel Full Size, Clean Touch Steel™, 4" toekick, PureLine handle | 12074350 | \$449 / \$499 |
| GFVi 711/72 Fully Integrated Panel Full Size, Clean Touch Steel™, 6" toekick, ContourLine handle | 12074400 | \$449 / \$499 |
| GFVi 711/77 Fully Integrated Panel Full Size, Clean Touch Steel™, 4" toekick, ContourLine handle | 12074450 | \$449 / \$499 |
| GFVi 712/77 Fully Integrated Panel Full Size, Clean Touch Steel™, 4" toekick, Range Panel | 12074470 | \$449 / \$499 |
| GFVi 709/77 Fully Integrated Panel Full Size, Clean Touch Steel™, 4" toekick, Pocket handle | 12672750 (11750840) | \$449 / \$499 |

OPTIONAL ACCESSORIES SF(P)

| OPTIONAL ACCESSORIES SF(P) | MATERIAL | UMRP |
|----------------------------------|----------|------|
| GPL 77-1 SS Filler Strips (pair) | 6415910 | \$67 |

*Handles sold separately.
See page 20 for full list of handle options.

24" Dishwasher - Fully Integrated



| MODEL | HANDLE TYPE | MATERIAL | UMRP/RETAIL |
|---------------------------------------|---------------|----------|-------------------|
| G 7186 SCVi Custom Panel | No Handle | 12496990 | \$1,949 / \$2,049 |
| G 7186 SCVi SFP Clean Touch Steel™ | Pocket Handle | 12496690 | \$2,149 / \$2,249 |

SPECIFICATIONS

| | |
|---------------------|---|
| Width | 23 ⁹ / ₁₆ in (598 mm) |
| Height | 33 ¹¹ / ₁₆ - 36 ¹ / ₄ in (855 - 920 mm) |
| Depth | 22 ⁷ / ₁₆ in (570 mm) |
| Shipping Weight | 121 lbs (55 kg) |
| Annual Energy Usage | 230 kWh |
| Decibel rating | 42 dBA |
| ADA Compliant | No |

FEATURES

- EcoPower Technology
- Controls: DirectSelect, hidden
- 3D MultiFlex Cutlery Tray
- AutoOpen Drying
- SensorDry
- AutoDos with PowerDisk
- Basket Design: ExtraComfort
- No. of Standard Place Settings: 16
- Double Waterproof System
- Miele@home
- AutoSensor / Load Sensor
- Water Softener

PROGRAMS

- Normal
- QuickIntenseWash
- Pots & Pans
- SaniWash
- Rinse & Hold
- China & Crystal

OPTIONS

- Express
- Extra Clean
- Extra Dry
- Intense Zone
- Delay Start

| OPTIONAL ACCESSORIES Vi | MATERIAL | UMRP/RETAIL |
|--|---------------------|---------------|
| GPL 77-1 SS Filler Strips (pair) | 6415910 | \$67 / \$67 |
| GFVi 701/72 Fully Integrated Panel Full Size, Clean Touch Steel™, 6" toekick, no handle | 12670590 (10986740) | \$349 / \$399 |
| GFVi 701/77 Fully Integrated Panel Full Size, Clean Touch Steel™, 4" toekick, no handle | 12670600 (10986750) | \$349 / \$399 |
| GFVi 710/77 Fully Integrated Panel Full Size, Clean Touch Steel™, 4" toekick, PureLine handle | 12074350 | \$449 / \$499 |
| GFVi 711/72 Fully Integrated Panel Full Size, Clean Touch Steel™, 6" toekick, ContourLine handle | 12074400 | \$449 / \$499 |
| GFVi 711/77 Fully Integrated Panel Full Size, Clean Touch Steel™, 4" toekick, ContourLine handle | 12074450 | \$449 / \$499 |
| GFVi 712/77 Fully Integrated Panel Full Size, Clean Touch Steel™, 4" toekick, Range Panel | 12074470 | \$449 / \$499 |
| GFVi 709/77 Fully Integrated Panel Full Size, Clean Touch Steel™, 4" toekick, Pocket handle | 12672750 (11750840) | \$449 / \$499 |

OPTIONAL ACCESSORIES SF(P)

| MATERIAL | UMRP |
|----------------------------------|------|
| GPL 77-1 SS Filler Strips (pair) | \$67 |

24" Dishwasher - Pre-Finished

G 7196 SCVi SFP



| MODEL | HANDLE TYPE | MATERIAL | UMRP/RETAIL | OPTIONAL ACCESSORIES | MATERIAL | UMRP |
|--------------------------------------|-----------------|----------|-------------------|----------------------------------|----------|------|
| G 7196 SCVi SF Clean Touch Steel™ | PureLine Handle | 12496710 | \$2,149 / \$2,249 | GPL 77-1 SS Filler Strips (pair) | 6415910 | \$67 |

SPECIFICATIONS

| | |
|---------------------|---|
| Width | 23 ⁹ / ₁₆ in (598 mm) |
| Height | 33 ¹¹ / ₁₆ - 36 ¹ / ₄ in (855 - 920 mm) |
| Depth | 22 ⁷ / ₁₆ in (570 mm) |
| Shipping Weight | 121 lbs (55 kg) |
| Annual Energy Usage | 230 kWh |
| Decibel rating | 42 dBA |
| ADA Compliant | No |

FEATURES

- EcoPower Technology
- Controls: DirectSelect, hidden
- 3D MultiFlex Cutlery Tray
- AutoOpen Drying
- SensorDry
- AutoDos with PowerDisk
- Basket Design: ExtraComfort
- No. of Standard Place Settings: 16
- Double Waterproof System
- Miele@home
- AutoSensor / Load Sensor
- Water Softener

PROGRAMS

- Normal
- QuickIntenseWash
- Pots & Pans
- SaniWash
- Rinse & Hold
- China & Crystal

OPTIONS

- Express
- Extra Clean
- Extra Dry
- Intense Zone
- Delay Start

*Handles sold separately.
See page 20 for full list of handle options.

24" Dishwasher - Fully Integrated



| MODEL | HANDLE TYPE | MATERIAL | UMRP/RETAIL |
|--------------------------------------|--------------------|----------|-------------------|
| G 7766 SCVi Custom Panel | No Handle | 12496900 | \$2,599 / \$2,699 |
| G 7766 SCVi SF Clean Touch Steel™ | ContourLine Handle | 12496910 | \$2,799 / \$2,889 |

SPECIFICATIONS

| | |
|---------------------|---|
| Width | 23 ⁹ / ₁₆ in (598 mm) |
| Height | 33 ¹¹ / ₁₆ - 36 ¹ / ₄ in (855 - 920 mm) |
| Depth | 22 ⁷ / ₁₆ in (570 mm) |
| Shipping Weight | 121 lbs (55 kg) |
| Annual Energy Usage | 230 kWh |
| Decibel rating | 39 dBA (37 Extra Quiet Program) |
| ADA Compliant | No |

FEATURES

- EcoPower Technology
- Controls: DirectSensor, hidden
- 3D MultiFlex Cutlery Tray
- BrilliantLight
- AutoOpen Drying
- SensorDry
- AutoDos with PowerDisk
- Basket Design: MaxiComfort
- No. of Standard Place Settings: 16
- Double Waterproof System
- Miele@home/AutoStart
- AutoSensor / Load Sensor
- Water Softener

PROGRAMS

- Normal
- QuickIntenseWash
- Pots & Pans
- SaniWash
- Rinse & Hold
- China & Crystal
- Economy
- Extra Quiet: 37 dBA
- Filters
- Clean Machine
- Energy Saver
- SensorWash

| OPTIONAL ACCESSORIES Vi | MATERIAL | UMRP/RETAIL |
|---|---------------------|---------------|
| GPL 77-1 SS Filler Strips (pair) | 6415910 | \$67 / \$67 |
| GFVi 701/72 Fully Integrated Panel Full Size, Clean Touch Steel™, 6" toe-kick, no handle | 10986740 | \$349 / \$399 |
| GFVi 701/77 Fully Integrated Panel Full Size, Clean Touch Steel™, 4" toe-kick, no handle | 12670600 (10986750) | \$349 / \$399 |
| GFVi 710/77 Fully Integrated Panel Full Size, Clean Touch Steel™, 4" toe-kick, PureLine handle | 12074350 | \$449 / \$499 |
| GFVi 711/72 Fully Integrated Panel Full Size, Clean Touch Steel™, 6" toe-kick, ContourLine handle | 12074400 | \$449 / \$499 |
| GFVi 711/77 Fully Integrated Panel Full Size, Clean Touch Steel™, 4" toe-kick, ContourLine handle | 12074450 | \$449 / \$499 |
| GFVi 712/77 Fully Integrated Panel Full Size, Clean Touch Steel™, 4" toe-kick, Range Panel | 12074470 | \$449 / \$499 |
| GFVi 709/77 Fully Integrated Panel Full Size, Clean Touch Steel™, 4" toe-kick, Pocket handle | 12672750 (11750840) | \$449 / \$499 |

OPTIONAL ACCESSORIES SF(P)

| OPTIONAL ACCESSORIES SF(P) | MATERIAL | UMRP |
|----------------------------------|----------|------|
| GPL 77-1 SS Filler Strips (pair) | 6415910 | \$67 |

OPTIONS

- Express
- FlexiTimer
- Extra Economical
- Extra Clean
- Extra Dry
- Intense Zone
- Delay Start

24" Dishwasher - Fully Integrated Knock2Open

G 7791 SCVi K2O ADA



| MODEL | HANDLE TYPE | MATERIAL | UMRP/RETAIL |
|----------------------------------|-------------|----------|-------------------|
| G 7791 SCVi K2O ADA Custom Panel | No Handle | 12496920 | \$2,949 / \$3,049 |

SPECIFICATIONS

| | |
|---------------------|--|
| Width | 23 ^{9/16} in (598 mm) |
| Height | 32 ^{1/16} - 34 ^{1/4} in (814 - 870 mm) |
| Depth | 22 ^{7/16} in (570 mm) |
| Shipping Weight | 121 lbs (55 kg) |
| Annual Energy Usage | 230 kWh |
| Decibel rating | 39 dBA (37 Extra Quiet Program) |
| ADA Compliant | Yes |

FEATURES

- EcoPower Technology
- Controls: DirectSensor, hidden
- 3D MultiFlex Cutlery Tray
- BrilliantLight
- AutoOpen Drying
- SensorDry
- AutoDos with PowerDisk
- Basket Design: MaxiComfort
- No. of Standard Place Settings: 16
- Double Waterproof System
- Miele@home/AutoStart
- Knock2Open
- AutoSensor / Load Sensor
- Water Softener

PROGRAMS

- Normal
- QuickIntenseWash
- Pots & Pans
- SaniWash
- Rinse & Hold
- China & Crystal
- Economy
- Extra Quiet: 37 dBA
- Filters
- Clean Machine
- Energy Saver
- SensorWash

OPTIONS

- Express
- FlexiTimer
- Extra Clean
- Extra Dry
- Extra Economical
- Intense Zone
- Delay Start

OPTIONAL ACCESSORIES

| OPTIONAL ACCESSORIES | MATERIAL | UMRP/RETAIL |
|---|---------------------|---------------|
| GPL 77-1 SS Filler Strips (pair) | 6415910 | \$67 / \$67 |
| GFVi 701/72 Fully Integrated Panel Full Size, Clean Touch Steel™, 6" toekick, no handle | 12670590 (10986740) | \$349 / \$399 |

24" Dishwasher - Integrated



| MODEL | HANDLE TYPE | MATERIAL | UMRP/RETAIL |
|----------------------------|-------------|----------|-------------------|
| G 7936 SCi Custom Panel | No Handle | 12496970 | \$3,599 / \$3,699 |

SPECIFICATIONS

| | |
|---------------------|---|
| Width | 23 ⁹ / ₁₆ in (598 mm) |
| Height | 33 ¹¹ / ₁₆ - 36 ¹ / ₄ in (855 - 920 mm) |
| Depth | 22 ⁷ / ₁₆ in (570 mm) |
| Shipping Weight | 121 lbs (55 kg) |
| Annual Energy Usage | 230 kWh |
| Decibel rating | 39 dBA (37 Extra Quiet Program) |
| ADA Compliant | No |

FEATURES

- EcoPower Technology
- Controls: M Touch, front
- 3D MultiFlex Cutlery Tray
- BrilliantLight
- AutoOpen Drying
- SensorDry
- AutoDos with PowerDisk
- Basket Design: MaxiComfort
- No. of Standard Place Settings: 16
- Double Waterproof System
- Miele@home/AutoStart
- AutoSensor / Load Sensor
- Water Softener

PROGRAMS

- Normal
- QuickIntenseWash
- Pots & Pans
- SaniWash
- Rinse & Hold
- China & Crystal
- Economy
- Extra Quiet: 37 dBA
- Filters
- Clean Machine
- Energy Saver
- Tall Items
- Glass - No Rinse Aid (Warm)
- SensorWash

OPTIONS

- Express
- FlexiTimer
- Extra Economical
- Extra Clean
- Extra Dry
- Intense Zone
- Soak
- Pre-Rinse
- Delay Start

| OPTIONAL ACCESSORIES | MATERIAL | UMRP/RETAIL |
|---|---------------------|---------------|
| GPL 77-1 SS Filler Strips (pair) | 6415910 | \$67 / \$67 |
| GFV 60/60-7 Integrated Panel Full Size, Clean Touch Steel™, 6" toe-kick | 12670320 (10986720) | \$289 / \$339 |
| GFV 60/65-7 Integrated Panel Full Size, Clean Touch Steel™, 4" toe-kick | 12670410 (10986730) | \$289 / \$339 |

24" Dishwasher - Fully Integrated Knock2Open



| MODEL | HANDLE TYPE | MATERIAL | UMRP/RETAIL |
|---------------------------------|-------------|----------|-------------------|
| G 7986 SCVi K20 Custom Panel | No Handle | 12496980 | \$3,699 / \$3,799 |

SPECIFICATIONS

| | |
|---------------------|---|
| Width | 23 ^{9/16} in (598 mm) |
| Height | 33 ^{11/16} - 36 ^{1/4} in (855 - 920 mm) |
| Depth | 22 ^{7/16} in (570 mm) |
| Shipping Weight | 121 lbs (55 kg) |
| Annual Energy Usage | 230 kWh |
| Decibel rating | 39 dBA (37 Extra Quiet Program) |
| ADA Compliant | No |

FEATURES

- EcoPower Technology
- Controls: M Touch, hidden
- 3D MultiFlex Cutlery Tray
- BrilliantLight
- AutoOpen Drying
- SensorDry
- AutoDos with PowerDisk
- Basket Design: MaxiComfort
- No. of Standard Place Settings: 16
- Double Waterproof System
- Miele@home/AutoStart
- Knock2Open
- AutoSensor / Load Sensor
- Water Softener

PROGRAMS

- Normal
- QuickIntenseWash
- Pots & Pans
- SaniWash
- Rinse & Hold
- China & Crystal
- Economy
- Extra Quiet: 37 dBA
- Filters
- Clean Machine
- Energy Saver
- Tall Items
- Glass - No Rinse Aid (Warm)
- SensorWash

OPTIONS

- Express
- FlexiTimer
- Extra Economical
- Extra Clean
- Extra Dry
- Intense Zone
- Soak
- Pre-Rinse
- Delay Start

OPTIONAL ACCESSORIES VI

| | MATERIAL | UMRP/RETAIL |
|--|---------------------|---------------|
| GPL 77-1 SS Filler Strips (pair) | 6415910 | \$67 / \$67 |
| GFVi 701/72 Fully Integrated Panel Full Size, Clean Touch Steel™, 6" toekick, no handle | 12670590 (10986740) | \$349 / \$399 |
| GFVi 701/77 Fully Integrated Panel Full Size, Clean Touch Steel™, 4" toekick, no handle | 12670600 (10986750) | \$349 / \$399 |
| GFVi 710/77 Fully Integrated Panel Full Size, Clean Touch Steel™, 4" toekick, PureLine handle | 12074350 | \$449 / \$499 |
| GFVi 711/72 Fully Integrated Panel Full Size, Clean Touch Steel™, 6" toekick, ContourLine handle | 12074400 | \$449 / \$499 |
| GFVi 711/77 Fully Integrated Panel Full Size, Clean Touch Steel™, 4" toekick, ContourLine handle | 12074450 | \$449 / \$499 |
| GFVi 712/77 Fully Integrated Panel Full Size, Clean Touch Steel™, 4" toekick, Range Panel | 12074470 | \$449 / \$499 |
| GFVi 709/77 Fully Integrated Panel Full Size, Clean Touch Steel™, 4" toekick, Pocket handle | 12672750 (11750840) | \$449 / \$499 |

18" Dishwasher - SlimLine Fully Integrated



| MODEL | HANDLE TYPE | MATERIAL | UMRP/RETAIL |
|-----------------------------|-------------|----------|-------------------|
| G 5482 SCVi Custom Panel | No Handle | 11636760 | \$1,349 / \$1,449 |

SPECIFICATIONS

| | |
|---------------------|--|
| Width | 17 ⁵ / ₈ in (448 mm) |
| Height | 32 ¹ / ₁₆ - 34 ¹ / ₄ in (814 - 880 mm) |
| Depth | 22 ⁷ / ₁₆ in (570 mm) |
| Shipping Weight | 121 lbs (55 kg) |
| Annual Energy Usage | 230 kWh |
| Decibel rating | 44 dBA |
| ADA Compliant | Yes |

FEATURES

- EcoPower Technology
- Controls: DirectSelect, hidden
- Original Cutlery Tray
- Basket Design: Comfort
- No. of Standard Place Settings; 10
- Double Waterproof System
- AutoSensor / Load Sensor

PROGRAMS

- Normal
- QuickIntenseWash
- Pots & Pans
- SaniWash
- Rinse & Hold

OPTIONS

- Express
- Extra Clean
- Extra Dry

OPTIONAL ACCESSORIES

| OPTIONAL ACCESSORIES | MATERIAL | UMRP/RETAIL |
|---|---------------------|---------------|
| GFVi 453/72-7 Fully Integrated Panel SlimLine, Clean Touch Steel™, 6" toekick, no handle | 12670470 (11526970) | \$289 / \$339 |

18" Dishwasher - SlimLine Fully Integrated



| MODEL | HANDLE TYPE | MATERIAL | UMRP/RETAIL |
|-----------------------------|-------------|----------|-------------------|
| G 5892 SCVi Custom Panel | No Handle | 11636790 | \$2,099 / \$3,099 |

SPECIFICATIONS

| | |
|---------------------|--|
| Width | 17 ^{5/8} in (448 mm) |
| Height | 32 ^{1/16} - 34 ^{1/4} in (814 - 880 mm) |
| Depth | 22 ^{7/16} in (570 mm) |
| Shipping Weight | 107 lbs (48.5kg) |
| Annual Energy Usage | 200 kWh |
| Decibel rating | 42 dBA |
| ADA Compliant | Yes |

FEATURES

- EcoPower Technology
- Controls: DirectSelect, hidden
- 3D MultiFlex Cutlery Tray
- BrilliantLight
- AutoOpen Drying
- SensorDry
- Basket Design: MaxiComfort
- No. of Standard Place Settings; 10
- Double Waterproof System
- Miele@home/AutoStart
- AutoSensor / Load Sensor
- Water Softener

PROGRAMS

- Normal
- QuickIntenseWash
- Pots & Pans
- SaniWash
- Rinse & Hold
- China & Crystal
- Economy
- Extra Quiet: 40 dBA
- Filters
- Clean Machine
- Energy Saver
- SensorWash

OPTIONS

- Express
- Extra Clean
- Extra Dry
- Intense Zone

OPTIONAL ACCESSORIES

| OPTIONAL ACCESSORIES | MATERIAL | UMRP/RETAIL |
|--|---------------------|---------------|
| GFVi 453/72-7 Fully Integrated Panel SlimLine, Clean Touch Steel™, 6" toekick, no handle | 12670470 (11526970) | \$289 / \$339 |

Handle Options

| GEN 7 | MODEL | MATERIAL | TRIM / COLOR | HANDLE WIDTH |
|---|---------|----------|--|-------------------------------------|
|  | DS 7000 | 11345890 | PureLine Stainless steel ¹ | 15 ³ / ₄ in |
|  | DS 7000 | 11345930 | VitroLine Obsidian black ¹ | 15 ³ / ₄ in |
|  | DS 7000 | 11345940 | VitroLine Brilliant white ¹ | 15 ³ / ₄ in |
|  | DS 7000 | 11345950 | VitroLine Graphite grey ¹ | 15 ³ / ₄ in |
|  | DS 7308 | 12047020 | ContourLine Stainless steel standard handle | 21 ¹ / ₈ in |
|  | DS 7708 | 12047000 | ContourLine Stainless steel swiveling handle | 21 ¹ / ₈ in |
|  | DS 7808 | 12047030 | VitroLine Obsidian black | 19 ¹¹ / ₁₆ in |
|  | DS 7808 | 12047050 | VitroLine Graphite grey | 19 ¹¹ / ₁₆ in |
|  | DS 7808 | 12047060 | VitroLine Brilliant white | 19 ¹¹ / ₁₆ in |
|  | DS 7808 | 12046910 | PureLine Stainless steel | 19 ¹¹ / ₁₆ in |
| GEN 6 | MODEL | MATERIAL | TRIM / COLOR | HANDLE WIDTH |
|  | DS 6000 | 10490600 | GEN6000 PureLine handle ² | 22 ¹ / ₆ in |
|  | DS 6000 | 9824160 | GEN6000 ContourLine handle ² | 22 ¹ / ₆ in |

Fits Slimline VI Dishwashers¹
Dishwasher Replacement Handles²

| | COOKING | VI DISHWASHER | SF DISHWASHER | VI COOLING | SF MASTERCOOL | UMRP |
|--|----------------|----------------------|----------------------|-------------------|----------------------|-------------|
| | X | X | | X | | \$149 |
| | X | X | | X | | \$309 |
| | X | X | | X | | \$309 |
| | X | X | | X | | \$309 |
| | X | X | | X | X | \$169 |
| | X | X | | X | X | \$209 |
| | X | X | | X | | \$349 |
| | X | X | | X | | \$349 |
| | X | X | | X | | \$349 |
| | X | X | | X | | \$169 |
| | COOKING | VI DISHWASHER | SF DISHWASHER | VI COOLING | SF MASTERCOOL | UMRP |
| | | | x (G 5000 SF) | | | \$169 |
| | | | x (G 7000 SF) | | | \$169 |


Product Highlights

Professional for the Home Dishwashers

*See specific models for details

ProfiLine

With their impressively short cycle times, ProfiLine Dishwashers are 2.5x faster than domestic dishwashers with only a 24-minute cycle time.

| FEATURE | DESCRIPTION |
|---|---|
| Exemplary Hygiene | Special 'SaniWash' program achieve temperatures of 180°F 82°C. Final rinse temperatures for selected programs can also be increased for even greater hygiene. |
| 12,500 Program Cycles | ProfiLine dishwashers are tested under laboratory conditions to ensure that they last 12,500 typical cycles and are designed for up to 5 cycles per day. |
| Intuitive Operation | All programs use intuitive sensor controls. Self-explanatory symbols and key content in plain text speed up program selection and avoid operating errors. |
| Versatile Baskets | For simple loading and a large volume of dishware ProfiLine represents the perfect stepping stone into the world of commercial dish care. |
| Golden Virus Seal  | All Miele dishwashers remove more than 99.9% of all viruses.* |

MasterLine

Intelligent dishwashing technology and a powerful heater pump ensure optimum program durations and cleaning results.

| FEATURE | DESCRIPTION |
|---------------------------------------|--|
| Plastic Baskets on two levels | Plastic baskets can be used on two levels in dishwasher models PFD 401, PFD 404 and PFD 408. Three spray arms allow perfect cleaning results to be achieved on both washing levels. |
| Connection for Dispenser Module | To simplify the use of liquid detergents and rinse aid, up to 2 liquid dispensing modules can be optionally connected, in the PFD 401, PFD 404 and PFD 408 dishwashers. |
| Perfect GlassCare | Miele Professional dishwashers use Perfect GlassCare in the glasses program. This technology adjusts the water hardness precisely so that all the glasses are thoroughly but gently cleaned. |
| NSF/ANSI 3 Certified for Sanitization | For facilities that require a NSF/ANSI 3 certified dishwasher, the PFD 408 features a final rinse temperature of 185°F with a 1 minute holding time. |

Golden Virus Seal

*According to the InFluenc_H - Institute for Integrative Hygiene and Virology, cleaning with ProfiLine dishwashers using Miele's ProCare Shine 12 GC cleaning agents removes enveloped and non-enveloped viruses (e.g. coronavirus, influenza, or noroviruses) in the Pots & Pans and Sanitize programs, as well as enveloped viruses (excluding Hepatitis B) in the QuickIntenseWash and Universal programs, even if load items are difficult to reprocess.

24" Dishwasher - Pre-Finished



| MODEL | HANDLE TYPE | MATERIAL | MAP/RETAIL |
|--------------------------------|-------------------|----------|-------------------|
| PFD 101U Clean Touch Steel™ | Integrated Handle | 11605420 | \$3,530 / \$3,630 |

SPECIFICATIONS

| | |
|--------------------------|---|
| Width | 23 ^{9/16} in (598 mm) |
| Height | 31 ^{11/16} - 34 ^{1/4} in (805 - 870 mm) |
| Depth | 22 ^{7/16} in (570 mm) |
| Shipping Weight | 113 lbs (51 kg) |
| Decibel Rating | 48 dBA |
| ADA Compliant | Yes |
| Electrical Configuration | AC 120V 60 Hz, 15A |
| Plug | NEMA 5-15P |

FEATURES

- Ideal for Offices, Showrooms, Active Kitchens and Private Homes
- Original Cutlery Basket
- ExtraComfort Basket Design
- No of Standard Place Settings: 13
- Up to 5 Wash Cycles per Day
- AutoOpen Assisted Drying
- Integrated Water Softener
- WiFiConn@ct
- Tested for 12,500 Program Cycles
- Final Rinse Temperature Up to 180°F (82°C) with a Holding Time of 15 Seconds
- Shortest Cycle with Hot Water Connection: 52 min.

PROGRAMS

- QuickIntenseWash
- Universal
- Pots & Pans
- Plastic
- China & Crystal
- SaniWash
- Rinse & Hold
- ECO

24" Dishwasher - Integrated



| MODEL | HANDLE TYPE | MATERIAL | MAP/RETAIL |
|--------------------------|-------------------|----------|-------------------|
| PFD 102i Custom Panel | Integrated Handle | 11605430 | \$4,345 / \$4,445 |

SPECIFICATIONS

| | |
|--------------------------|---|
| Width | 23 ^{9/16} in (598 mm) |
| Height | 31 ^{11/16} - 34 ^{1/4} in (805 - 870 mm) |
| Depth | 22 ^{7/16} in (570 mm) |
| Shipping Weight | 109 lbs (49 kg) |
| Decibel Rating | 48 dBA |
| ADA Compliant | Yes |
| Electrical Configuration | AC 120V 60 Hz, 15A |
| Plug | NEMA 5-15P |

FEATURES

- Ideal for Offices, Showrooms, Active Kitchens and Private Homes
- Original Cutlery Basket
- ExtraComfort Basket Design
- No of Standard Place Settings: 13
- Up to 5 Wash Cycles per Day
- AutoOpen Assisted Drying
- Integrated Water Softener
- WiFiConn@ct
- BrilliantLight Interior Lighting
- Tested for 12,500 Program Cycles
- Final Rinse Temperature Up to 180°F (82°C) with a Holding Time of 15 Seconds
- Shortest Cycle with Hot Water Connection: 52 min.

PROGRAMS

- QuickIntenseWash
- Universal
- Pots & Pans
- Plastic
- China & Crystal
- SaniWash
- Rinse & Hold
- ECO

OPTIONAL ACCESSORIES

| OPTIONAL ACCESSORIES | MATERIAL | MAP/RETAIL |
|---|---------------------|---------------|
| GFV 60/60-7 Integrated Panel Full Size Clean Touch Steel™, 6" toekick, no handle | 12670320 (10986720) | \$289 / \$339 |
| GFV 60/65-7 Integrated Panel Full Size, Clean Touch Steel™, 4" toekick, no handle | 12670410 (10986730) | \$289 / \$339 |

24" Dishwasher - Integrated



| MODEL | HANDLE TYPE | MATERIAL | MAP/RETAIL |
|--------------------------|-------------------|----------|-------------------|
| PFD 102i Custom Panel | Integrated Handle | 11605500 | \$4,345 / \$4,445 |

SPECIFICATIONS

| | |
|--------------------------|---|
| Width | 23 ⁹ / ₁₆ in (598 mm) |
| Height | 31 ¹¹ / ₁₆ - 34 ¹ / ₄ in (805 - 870 mm) |
| Depth | 22 ⁷ / ₁₆ in (570 mm) |
| Shipping Weight | 109 lbs (49 kg) |
| Decibel Rating | 48 dBA |
| ADA Compliant | Yes |
| Electrical Configuration | 2N AC 120/208-240V, 60 Hz, 2x30A |
| Plug | NEMA 14-30P |

FEATURES

- Ideal for Offices, Showrooms, Active Kitchens and Private Homes
- Original Cutlery Basket
- ExtraComfort Basket Design
- No of Standard Place Settings: 13
- Up to 5 Wash Cycles per Day
- AutoOpen Assisted Drying
- Integrated Water Softener
- WiFiConn@ct
- BrilliantLight Interior Lighting
- Tested for 12,500 Program Cycles
- Final Rinse Temperature Up to 180°F (82°C) with a Holding Time of 15 Seconds
- Shortest Cycle with Hot Water Connection: 24 min.

PROGRAMS

- QuickIntenseWash
- Universal
- Pots & Pans
- Plastic
- China & Crystal
- SaniWash
- Rinse & Hold
- ECO

OPTIONAL ACCESSORIES

| OPTIONAL ACCESSORIES | MATERIAL | MAP/RETAIL |
|---|---------------------|---------------|
| GFV 60/60-7 Integrated Panel Full Size Clean Touch Steel™, 6" toekick, no handle | 12670320 (10986720) | \$289 / \$339 |
| GFV 60/65-7 Integrated Panel Full Size, Clean Touch Steel™, 4" toekick, no handle | 12670410 (10986730) | \$289 / \$339 |

24" Dishwasher - Fully Integrated



| MODEL | HANDLE TYPE | MATERIAL | MAP/RETAIL |
|------------------------------|-------------|----------|-------------------|
| PFD 104 SCVi Custom Panel | No Handle | 11605450 | \$5,050 / \$5,150 |

SPECIFICATIONS

| | |
|--------------------------|---|
| Width | 23 ^{9/16} in (598 mm) |
| Height | 33 ^{1/4} - 35 ^{13/16} in (845 - 910 mm) |
| Depth | 22 ^{7/16} in (570 mm) |
| Shipping Weight | 128 lbs (58 kg) |
| Decibel Rating | 45 dBA |
| ADA Compliant | No |
| Electrical Configuration | AC 120V 60 Hz, 15A |
| Plug | NEMA 5-15P |

FEATURES

- Ideal for Offices, Showrooms, Active Kitchens and Private Homes
- 3D MultiFlex Cutlery Tray
- MaxiComfort Basket Design with 3D MultiFlex Drawer
- No of Standard Place Settings: 16
- Up to 5 Wash Cycles per Day
- AutoOpen Assisted Drying
- Integrated Water Softener
- WiFiConn@ct
- BrilliantLight Interior Lighting
- Knock2open
- AutoOpen and AutoClose
- Tested for 12,500 Program Cycles
- Final Rinse Temperature Up to 180°F (82°C) with a Holding Time of 15 Seconds
- Shortest Cycle with Hot Water Connection: 52 min.

PROGRAMS

- QuickIntenseWash
- Universal
- Pots & Pans
- Plastic
- China & Crystal
- SaniWash
- Rinse & Hold
- ECO

OPTIONAL ACCESSORIES

| | MATERIAL | MAP/RETAIL |
|--|---------------------|---------------|
| GFVi 701/72 Fully Integrated Panel Full Size, Clean Touch Steel™, 6" toekick, no handle | 12670590 (10986740) | \$349 / \$399 |
| GFVi 701/77 Fully Integrated Panel Full Size, Clean Touch Steel™, 4" toekick, no handle | 12670600 (10986750) | \$349 / \$399 |
| GFVi 710/77 Fully Integrated Panel Full Size, Clean Touch Steel™, 4" toekick, PureLine handle | 12074350 | \$449 / \$499 |
| GFVi 711/72 Fully Integrated Panel Full Size, Clean Touch Steel™, 6" toekick, ContourLine handle | 12074400 | \$449 / \$499 |
| GFVi 711/77 Fully Integrated Panel Full Size, Clean Touch Steel™, 4" toekick, ContourLine handle | 12074450 | \$449 / \$499 |
| GFVi 712/77 Fully Integrated Panel Full Size, Clean Touch Steel™, 4" toekick, Range Panel | 12074470 | \$449 / \$499 |
| GFVi 709/77 Fully Integrated Panel Full Size, Clean Touch Steel™, 4" toekick, Pocket handle | 12672750 (11750840) | \$449 / 449 |

24" Dishwasher - Fully Integrated



| MODEL | HANDLE TYPE | MATERIAL | MAP/RETAIL |
|------------------------------|-------------|----------|-------------------|
| PFD 104 SCVi Custom Panel | No Handle | 11605520 | \$5,050 / \$5,150 |

SPECIFICATIONS

| | |
|--------------------------|---|
| Width | 23 ^{9/16} in (598 mm) |
| Height | 33 ^{1/4} - 35 ^{13/16} in (845 - 910 mm) |
| Depth | 22 ^{7/16} in (570 mm) |
| Shipping Weight | 128 lbs (58 kg) |
| Decibel Rating | 45 dBA |
| ADA Compliant | No |
| Electrical Configuration | 2N AC 120/208-240V, 60 Hz, 2x30A |
| Plug | NEMA 14-30P |

FEATURES

- Ideal for Offices, Showrooms, Active Kitchens and Private Homes
- 3D MultiFlex Cutlery Tray
- MaxiComfort Basket Design with 3D MultiFlex Drawer
- No of Standard Place Settings: 16
- Up to 5 Wash Cycles per Day
- AutoOpen Assisted Drying
- Integrated Water Softener
- WiFiConn@ct
- BrilliantLight Interior Lighting
- Knock2open
- AutoOpen and AutoClose
- Tested for 12,500 Program Cycles
- Final Rinse Temperature Up to 180°F (82°C) with a Holding Time of 15 Seconds
- Shortest Cycle with Hot Water Connection: 24 min.

PROGRAMS

- QuickIntenseWash
- Universal
- Pots & Pans
- Plastic
- China & Crystal
- SaniWash
- Rinse & Hold
- ECO

OPTIONAL ACCESSORIES

| OPTIONAL ACCESSORIES | MATERIAL | MAP/RETAIL |
|--|---------------------|---------------|
| GFVi 701/72 Fully Integrated Panel Full Size, Clean Touch Steel™, 6" toekick, no handle | 12670590 (10986740) | \$349 / \$399 |
| GFVi 701/77 Fully Integrated Panel Full Size, Clean Touch Steel™, 4" toekick, no handle | 12670600 (10986750) | \$349 / \$399 |
| GFVi 710/77 Fully Integrated Panel Full Size, Clean Touch Steel™, 4" toekick, PureLine handle | 12074350 | \$449 / \$499 |
| GFVi 711/72 Fully Integrated Panel Full Size, Clean Touch Steel™, 6" toekick, ContourLine handle | 12074400 | \$449 / \$499 |
| GFVi 711/77 Fully Integrated Panel Full Size, Clean Touch Steel™, 4" toekick, ContourLine handle | 12074450 | \$449 / \$499 |
| GFVi 712/77 Fully Integrated Panel Full Size, Clean Touch Steel™, 4" toekick, Range Panel | 12074470 | \$449 / \$499 |
| GFVi 709/77 Fully Integrated Panel Full Size, Clean Touch Steel™, 4" toekick, Pocket handle | 12672750 (11750840) | \$449 / 449 |

24" Dishwasher - Pre-Finished



| MODEL | HANDLE TYPE | MATERIAL | MAP/RETAIL |
|----------------------------|-------------------|----------|-------------------|
| PFD 401 Stainless Steel | Integrated Handle | 12066560 | \$5,999 / \$6,199 |

SPECIFICATIONS

| | |
|--------------------------|---------------------------------|
| Width | 23 ^{9/16} in (598 mm) |
| Height | 32 ^{1/4} in (820 mm) |
| Depth | 22 ^{13/16} in (580 mm) |
| Shipping Weight | 164.5 lbs (74.5 kg) |
| Decibel Rating | 59 dBA |
| ADA Compliant | Yes |
| Electrical Configuration | 2AC 208V, 60 Hz, 2x30A |
| Plug | NEMA L6-30 |

FEATURES

- Suitable for Offices, Active Kitchens, Private Homes, Restaurants, Bars etc.
- Large Variety of Baskets and Inserts, Including Commercial Plastic Baskets
- Integrated Water Softener
- Large Capacity and Multi-Level Cleaning for High Throughput
- Connection for Dispenser Modules
- Tested for Up to 40 Cycles per Day
- Tested for at Least 28,000 Operating Hours (10 years)
- Final Rinse Temperature Up to 158°F (70°C) with a Holding Time of 10 Min
- Shortest Cycle Time: 6 min.

PROGRAMS

- Rapid
- Normal
- Normal plus
- Intensive
- SaniWash
- China & Crystal
- Glasses
- Utensils
- Plastic
- Economy
- Reactivation
- Rinse & Hold
- Drain

INCLUDED ACCESSORIES

| | MATERIAL | MAP |
|--|----------|-------|
| 1 x APFD 215 Upper Basket for Cups (Height Adjustable) | 12106020 | \$210 |
| 1 x APFD 220 Lower Basket for Inserts | 12107590 | \$140 |
| 1 x APFD 415 Insert for Dessert Plates | 12106030 | \$55 |
| 2 x E 816 Inserts for Plates | 9549190 | \$55 |
| 2 x APFD 420 Inserts for Cutlery | 12118550 | \$50 |

*Optional Accessories: See Pages 34-35

24" Dishwasher - Pre-Finished



| MODEL | HANDLE TYPE | MATERIAL | MAP/RETAIL |
|----------------------------|-------------------|----------|-------------------|
| PFD 401 Stainless Steel | Integrated Handle | 12066590 | \$5,999 / \$6,199 |

SPECIFICATIONS

| | |
|--------------------------|---------------------------------|
| Width | 23 ^{9/16} in (598 mm) |
| Height | 32 ^{1/4} in (820 mm) |
| Depth | 22 ^{13/16} in (580 mm) |
| Shipping Weight | 164.5 lbs (74.5 kg) |
| Decibel Rating | 59 dBA |
| ADA Compliant | Yes |
| Electrical Configuration | 2AC 240V, 60 Hz, 2x30A |
| Plug | NEMA L6-30 |

FEATURES

- Suitable for Offices, Active Kitchens, Private Homes, Restaurants, Bars etc.
- Large Variety of Baskets and Inserts, Including Commercial Plastic Baskets
- Integrated Water Softener
- Large Capacity and Multi-Level Cleaning for High Throughput
- Connection for Dispenser Modules
- Tested for Up to 40 Cycles per Day
- Tested for at Least 28,000 Operating Hours (10 years)
- Final Rinse Temperature Up to 158°F (70°C) with a Holding Time of 10 Min
- Shortest Cycle Time: 6 min.

PROGRAMS

- Rapid
- Normal
- Normal plus
- Intensive
- SaniWash
- China & Crystal
- Glasses
- Utensils
- Plastic
- Economy
- Reactivation
- Rinse & Hold
- Drain

| INCLUDED ACCESSORIES | MATERIAL | MAP |
|--|----------|-------|
| 1 x APFD 215 Upper Basket for Cups (Height Adjustable) | 12106020 | \$210 |
| 1 x APFD 220 Lower Basket for Inserts | 12107590 | \$140 |
| 1 x APFD 415 Insert for Dessert Plates | 12106030 | \$55 |
| 2 x E 816 Inserts for Plates | 9549190 | \$55 |
| 2 x APFD 420 Inserts for Cutlery | 12118550 | \$50 |

*Optional Accessories: See Pages 34-35

24" Dishwasher - Pre-Finished



| MODEL | HANDLE TYPE | MATERIAL | MAP/RETAIL |
|----------------------------|-------------------|----------|-------------------|
| PFD 404 Stainless Steel | Integrated Handle | 12066570 | \$6,399 / \$6,599 |

SPECIFICATIONS

| | |
|--------------------------|---------------------------------|
| Width | 23 ^{9/16} in (598 mm) |
| Height | 32 ^{1/4} in (820 mm) |
| Depth | 22 ^{13/16} in (580 mm) |
| Shipping Weight | 164.5 lbs (74.5 kg) |
| Decibel Rating | 59 dBA |
| ADA Compliant | Yes |
| Electrical Configuration | 2AC 208V, 60 Hz, 2x30A |
| Plug | NEMA L6-30 |

FEATURES

- Suitable for Offices, Active Kitchens, Private Homes, Restaurants, Bars etc.
- Large Variety of Baskets and Inserts, Including Commercial Plastic Baskets
- Integrated Water Softener
- Large Capacity and Multi-Level Cleaning for High Throughput
- Connection for Dispenser Modules
- Tested for Up to 40 Cycles per Day
- Tested for at Least 28,000 Operating Hours (10 years)
- Final Rinse Temperature Up to 185°F (85°C) with a Holding Time of 4 Min
- Shortest Cycle Time: 6 min.

PROGRAMS

- Rapid
- Normal
- Normal plus
- Intensive
- SaniWash
- China & Crystal
- Glasses
- Utensils
- Plastic
- Economy
- SaniWash Plus

| INCLUDED ACCESSORIES | MATERIAL | MAP |
|--|----------|-------|
| 1 x APFD 215 Upper Basket for Cups (Height Adjustable) | 12106020 | \$210 |
| 1 x APFD 220 Lower Basket for Inserts | 12107590 | \$140 |
| 1 x APFD 415 Insert for Dessert Plates | 12106030 | \$55 |
| 2 x E 816 Inserts for Plates | 9549190 | \$55 |
| 2 x APFD 420 Inserts for Cutlery | 12118550 | \$50 |

*Optional Accessories: See Pages 34-35

24" Dishwasher - Pre-Finished



| MODEL | HANDLE TYPE | MATERIAL | MAP/RETAIL |
|----------------------------|-------------------|----------|-------------------|
| PFD 404 Stainless Steel | Integrated Handle | 12066600 | \$6,399 / \$6,599 |

SPECIFICATIONS

| | |
|--------------------------|---------------------------------|
| Width | 23 ^{9/16} in (598 mm) |
| Height | 32 ^{1/4} in (820 mm) |
| Depth | 22 ^{13/16} in (580 mm) |
| Shipping Weight | 164.5 lbs (74.5 kg) |
| Decibel Rating | 59 dBA |
| ADA Compliant | Yes |
| Electrical Configuration | 2AC 240V, 60 Hz, 2x30A |
| Plug | NEMA L6-30 |

FEATURES

- Suitable for Offices, Active Kitchens, Private Homes, Restaurants, Bars etc.
- Large Variety of Baskets and Inserts, Including Commercial Plastic Baskets
- Integrated Water Softener
- Large Capacity and Multi-Level Cleaning for High Throughput
- Connection for Dispenser Modules
- Tested for Up to 40 Cycles per Day
- Tested for at Least 28,000 Operating Hours (10 years)
- Final Rinse Temperature Up to 185°F (85°C) with a Holding Time of 4 Min
- Shortest Cycle Time: 6 min.

PROGRAMS

- Rapid
- Normal
- Normal plus
- Intensive
- SaniWash
- China & Crystal
- Glasses
- Utensils
- Plastic
- Economy
- SaniWash Plus

| INCLUDED ACCESSORIES | MATERIAL | MAP |
|--|----------|-------|
| 1 x APFD 215 Upper Basket for Cups (Height Adjustable) | 12106020 | \$210 |
| 1 x APFD 220 Lower Basket for Inserts | 12107590 | \$140 |
| 1 x APFD 415 Insert for Dessert Plates | 12106030 | \$55 |
| 2 x E 816 Inserts for Plates | 9549190 | \$55 |
| 2 x APFD 420 Inserts for Cutlery | 12118550 | \$50 |

*Optional Accessories: See Pages 34-35

24" Dishwasher - Pre-Finished



| MODEL | HANDLE TYPE | MATERIAL | MAP/RETAIL |
|----------------------------|-------------------|----------|-------------------|
| PFD 408 Stainless Steel | Integrated Handle | 12066580 | \$6,999 / \$7,199 |

SPECIFICATIONS

| | |
|---------------------------|--------------------------------|
| Width | 23 ^{9/16} in (598 mm) |
| Height | 32 ^{1/4} in (820 mm) |
| Depth | 23 ^{7/16} in (595 mm) |
| Shipping Weight | 187 lbs (84.5 kg) |
| Decibel Rating | 57 dBA |
| ADA Compliant | Yes |
| NSF/ANSI 3 | Yes |
| Electrical Configuration* | 3AC 208V, 60 Hz, 3x20A |
| Plug | NEMA L15-20 |

FEATURES

- Suitable for Customers That Require a NSF 3 Classified Dishwasher like Pre-Schools, Assisted Living, Medical Offices etc.
- Large Variety of Baskets and Inserts, Including Commercial Plastic Baskets
- Up to 40 Wash Cycles per Day
- Integrated Water Softener
- Large Capacity and Multi-Level Cleaning
- Connection for Dispenser Modules
- Tested for at least 28,000 operating hours (10 years)
- Final Rinse Temperature Up to 185°F (85°C) with a Holding Time of 1 min
- Shortest Cycle Time: 15 min.

PROGRAMS

- Normal
- Normal Plus
- Intensive
- Reactivation
- Rinse & Hold
- Drain

INCLUDED ACCESSORIES

| INCLUDED ACCESSORIES | MATERIAL | MAP |
|--|----------|-------|
| 1 x APFD 215 Upper Basket for Cups (Height Adjustable) | 12106020 | \$210 |
| 1 x APFD 220 Lower Basket for Inserts | 12107590 | \$140 |
| 1 x APFD 415 Insert for Dessert Plates | 12106030 | \$55 |
| 2 x E 816 Inserts for Plates | 9549190 | \$55 |
| 2 x APFD 420 Inserts for Cutlery | 12118550 | \$50 |

*Optional Accessories: See Pages 34-35

24" Dishwasher - Pre-Finished



| MODEL | HANDLE TYPE | MATERIAL | MAP/RETAIL |
|----------------------------|-------------------|----------|-------------------|
| PFD 408 Stainless Steel | Integrated Handle | 12066610 | \$6,999 / \$7,199 |

SPECIFICATIONS

| | |
|---------------------------|--------------------------------|
| Width | 23 ^{9/16} in (598 mm) |
| Height | 32 ^{1/4} in (820 mm) |
| Depth | 23 ^{7/16} in (595 mm) |
| Shipping Weight | 187 lbs (84.5 kg) |
| Decibel Rating | 57 dBA |
| ADA Compliant | Yes |
| NSF/ANSI 3 | Yes |
| Electrical Configuration* | 3AC 240V, 60 Hz, 3x20A |
| Plug | NEMA L15-20 |

FEATURES

- Suitable for Customers That Require a NSF 3 Classified Dishwasher like Pre-Schools, Assisted Living, Medical Offices etc.
- Large Variety of Baskets and Inserts, Including Commercial Plastic Baskets
- Up to 40 Wash Cycles per Day
- Integrated Water Softener
- Large Capacity and Multi-Level Cleaning
- Connection for Dispenser Modules
- Tested for at least 28,000 operating hours (10 years)
- Final Rinse Temperature Up to 185°F (85°C) with a Holding Time of 1 min
- Shortest Cycle Time: 15 min.

PROGRAMS

- Normal
- Normal Plus
- Intensive
- Reactivation
- Rinse & Hold
- Drain

INCLUDED ACCESSORIES

| INCLUDED ACCESSORIES | MATERIAL | MAP |
|--|----------|-------|
| 1 x APFD 215 Upper Basket for Cups (Height Adjustable) | 12106020 | \$210 |
| 1 x APFD 220 Lower Basket for Inserts | 12107590 | \$140 |
| 1 x APFD 415 Insert for Dessert Plates | 12106030 | \$55 |
| 2 x E 816 Inserts for Plates | 9549190 | \$55 |
| 2 x APFD 420 Inserts for Cutlery | 12118550 | \$50 |

*Optional Accessories: See Pages 34-35

*Option to convert unit to 2 AC 208V, 60 Hz, 2x30A with NEMA L6-30 plug. Conversion must take place before delivery. A special order must be placed to prosales@mieleusa.com (MATERIAL 94001810 / UMRP \$311).

*Special order product: Contact prosales@mieleusa.com

Optional Accessories (Models PFD 401, PFD 404 and PFD 408)

| BASKETS AND INSERTS | MATERIAL | MAP |
|--|---------------------|-------|
| APFD 215 Upper Basket | 12106020 | \$210 |
| O 892 Upper Basket For Glasses | 12614950 (9548990) | \$245 |
| APFD 214 Upper Basket | 12107560 | \$305 |
| O 885 Upper Basket Carrier | 12616510 (9548960) | \$370 |
| O 898 Upper Basket | 12616580 (10114490) | \$545 |
| APFD 220 Lower Basket | 12107590 | \$140 |
| U 881 Lower Basket | 4906620 | \$245 |
| U 876 Lower Basket Carrier | 12616640 (9549160) | \$370 |
| APFD 210 Bottle Basket | 11717360 | \$760 |
| APFD 211 Adapter to Bottle Basket | 11717390 | \$115 |
| APFD 212 Adapter to Bottle Basket | 11717430 | \$115 |
| E 816 Insert for plates | 12611640 (9549190) | \$55 |
| E 810 Insert for small bowls and plates | 12610680 (9549010) | \$55 |
| APFD 415 Insert for small bowls and plates | 12106030 | \$55 |
| E 809 Insert for lower basket | 5018650 | \$105 |
| E9 Insert for Large Individual Items | 3808260 | \$75 |
| APFD 417 Insert for beakers | 12293790 | \$170 |
| E 165 Cutlery Holder | 3808830 | \$25 |
| APFD 420 Cutlery basket | 12118550 | \$50 |
| E 437 Cutlery holder | 4326640 | \$435 |
| E 884 Insert for Baking Sheets, Platters | 5018680 | \$75 |
| APFD 401 Insert For Medication Cups | 10869810 | \$170 |
| APFD 402 Insert For Medication Cup Lids | 10869850 | \$25 |
| APFD 419 Rail for cup lids | 12298740 | \$75 |
| E 167 Cutlery Holder | 12663060 (9508730) | \$55 |
| E 205 Insert for glasses | 3808980 | \$80 |
| E 815 Glassware Insert | 5018670 | \$150 |
| E 812 Glassware Insert | 12611590 (9742240) | \$150 |
| E 166 Perforated Plate | 3808850 | \$105 |
| E 10 Perforated Plate | 12610570 (9627360) | \$115 |
| APFD 416 Perforated Plate | 12174880 | \$170 |
| U 502 Plate Basket | 12654760 (9508610) | \$170 |
| U 503 Cutlery Basket | 12654770 (9508660) | \$170 |
| U 504 Cutlery Basket | 12655860 (9508670) | \$220 |
| U 505 Multi-Purpose Basket | 12655920 (9508680) | \$220 |
| U 506 Plate Basket | 12655880 (9508640) | \$210 |
| U 507 Bistro Basket | 12655900 (9508700) | \$210 |

| BASKETS AND INSERTS | MATERIAL | MAP |
|--|---------------------|-------|
| APFD 222 Basket | 12294760 | \$150 |
| APFD 418 Insert | 12476350 | \$150 |
| U 525/1 Basket | 10094780 | \$220 |
| U 508 Basket for cups | 12655940 (9508650) | \$190 |
| U 520 Glassware Basket | 12663380 (9581370) | \$130 |
| U 524/1 Glassware Basket | 10094770 | \$220 |
| U 534 16 Glasses, Shallow Top Frame | 12655970 (6997120) | \$220 |
| U 535 25 Glasses, Shallow Top Frame | 12655980 (6984150) | \$220 |
| U 536 36 Glasses, Shallow Top Frame | 12655990 (6984090) | \$220 |
| U 537 42 Glasses, Shallow Top Frame | 12662550 (6984200) | \$220 |
| U 544 16 Glasses, Deep Top Frame | 12662560 (6984190) | \$220 |
| U 545 25 Glasses, Deep Top Frame | 12662570 (6984170) | \$220 |
| U 546 36 Glasses, Deep Top Frame | 12662580 (6984130) | \$220 |
| U 547 42 Glasses, Deep Top Frame | 12663000 (6984210) | \$220 |
| U 634-S 16 Glasses, With Sloping Bases | 12663010 (10322510) | \$285 |
| U 635-S 20 Glasses, With Sloping Bases | 12663080 (10322530) | \$285 |
| U 644-S 16 Tall Glasses with sloping bases | 12663090 (10322500) | \$285 |
| U 645-S 20 Tall Glasses with sloping bases | 12663100 (10322520) | \$285 |



Optional Accessories (Models PFD 401, PFD 404 and PFD 408)

| INSTALLATION | MATERIAL | MAP | PLINTHS AND BASES | MATERIAL | MAP |
|--|---------------------|-------|--|---------------------|------------|
| ABL 50 Spacer Trim, Stainless Steel | 12621600 (9378030) | \$70 | UO 30-60/80 Open Base, 11 ^{13/16} in (30cm) | 12611920 (9688890) | \$725 |
| ABL 110 Spacer Trim, Stainless Steel | 12621480 (10271160) | \$140 | UO 52-60/80 Open Base, 20 ^{1/2} in (52cm) | 12611900 (9688900) | \$910 |
| Stand 2 Toe-Kick, Stainless Steel | 12614960 (9456060) | \$80 | UG 30-60/80 Box Base, 11 ^{13/16} in (30cm) | 12611810 (9688910) | \$725 |
| APFD 001 Toe-kick, Stainless Steel, Height Adjustable. | 12084170 | \$150 | UG 52-60/80 Box Base 20 ^{1/2} in (52cm) | 12611830 (9688920) | \$910 |
| DEF-80 Lid In Stainless Steel | 12612130 (9715550) | \$220 | UG 70-60/80 Box Plinth With Door, 27 ^{9/16} in (30cm) | 12650230 (10031420) | \$2,165 |
| BKS-80 Mounting Kit To Fix A Support Facing At The End Of A Kitchen Island | 12615070 (9715630) | \$70 | | | |
| ADB Cover Plate For Built-In Dishwasher | 9715590 | \$75 | DISPENSING | MATERIAL | MAP |
| BBF-80 Floor Anchoring | 12612100 (9715690) | \$65 | DOS G Comfort Dispenser Module | 12187400 | \$510 |
| APFD 007 Extended Machine Feet | 12298200 | \$70 | DTD 1 Drip Tray | 10695460 | \$45 |
| Conversion Fee: To convert PG8061 from 3AC to 2AC (3AC requires 20A, 2AC requires 30A) | 94001810 | \$311 | | | |

Product Highlights

Washing Machines

*See specific models for details

| FEATURE | DESCRIPTION |
|--|---|
| Honeycomb Drum | The Honeycomb drum has a special sculptured surface which allows fabrics to glide on a thin cushion of water. |
| TwinDos | Liquid detergent automatic dispensing system for achieving the best wash results. Save up to 30% detergent compared to manual dispensing. |
| IntenseWash | IntenseWash offers the highest level of cleaning, with Spin&Spray technology using less water and heating energy. |
| QuickIntenseWash | Utilizing the IntenseWash technology, the QuickIntenseWash program provides excellent cleanliness in just 49 minutes. |
| SingleWash | An efficient solution for washing single garments quickly, while saving water and energy. |
| CapDosing | Dispense special detergent for different types of fabric by placing a portioned capsule into the fabric softener compartment. |
| Certified Hygiene Seal  | All Miele W1 Washing Machines remove more than 99.99% of specific bacteria.* |
| Golden Virus Seal  | WXI 860 WCS and WXR 860 WCS Miele Washing Machines remove more than 99.9% of all viruses.* |

Dryers

| FEATURE | DESCRIPTION |
|--|---|
| Honeycomb Drum | Fewer creases and easier ironing, the honeycomb structure allows laundry to be dried gently and evenly. |
| Heat-Pump Technology | Saving up to 60% in energy consumption, the heat generated is reused and low temperatures protect the high-quality fibers in the most delicate fabrics. |
| FragranceDos and FragranceDos ² | Miele fragrance flacons add your favorite scent to your laundry during the drying process. With FragranceDos ² , you can insert two flacons into the machine at once to switch between your two favorite fragrances. |
| SteamFinish | A great alternative to ironing, steam and smooth your laundry during the drying process. |
| PerfectDry | PerfectDry takes the mineral content of your water into account and modifies the drying process accordingly. |

Certified Hygiene Seal

*Proven by Rhine-Waal University of Applied Sciences, all Miele W1 Washing Machines remove more than 99.99% of specific bacteria when using the Sanitize Program.

Golden Virus Seal

*Select Miele Washing Machines remove more than 99.9% of all viruses. Applies to W1 Washing Machines with TwinDos and IntenseWash, in combination with the Sanitize Program and AllergyWash option.

W1 Washing Machines



| MODEL | MATERIAL | UMRP/RETAIL |
|-------------|----------|-------------------|
| WXD 160 WCS | 11614070 | \$1,499 / \$1,699 |

SPECIFICATIONS

| | |
|-----------------------|---|
| Overall Width | 23 ¹ / ₂ " in (596 mm) |
| Overall Height | 33 ¹ / ₂ " in (850 mm) |
| Overall Depth | 25 ⁵ / ₁₆ " in (643 mm) |
| Shipping weight | 221 lbs (100 kg) |
| Capacity | 17.6 lbs. / 2.26 cu. ft. |
| Electrical Connection | 120V, 15A |

FEATURES

- HoneyComb drum
- 11 Wash Programs including SoftSteam option
- DirectSensor user interface
- WiFiConn@ct and Mobile Control
- CapDos
- Add Laundry Feature
- 1600 rpm max spin speed

WASH PROGRAMS

- Darks/Denims
- Express
- Handwash
- Delicates
- Proofing
- Dress Shirts
- Outdoor
- Drain/spin
- Normal
- Extra White
- Sanitize

WASH OPTIONS

- SoftSteam
- Buzzer

| MATCHING DRYERS | MATERIAL |
|-----------------|----------|
| TXD 160 WP | 11619650 |

| ACCESSORIES | MATERIAL | UMRP/RETAIL |
|--|----------|-------------------|
| WTV 500 (Stacking Kit) | 9612041 | \$43.28 / \$43.28 |
| WTV 502 (Stacking Kit) | 9256140 | \$104 / \$104 |
| WTV 512 (Stacking Kit w/ Drawer 4 ⁵ / ₈ " H) | 9351790 | \$259 / \$259 |
| WTS 510 (Pedestal 13 ⁷ / ₈ " H) | 9322300 | \$579 / \$579 |
| Adaptor NEMA 14-30 | 10983750 | \$60 / \$60 |

W1 Washing Machines



| MODEL | MATERIAL | UMRP/RETAIL |
|-------------|----------|-------------------|
| WWD 160 WCS | 11614040 | \$1,499 / \$1,699 |

SPECIFICATIONS

| | |
|-----------------------|----------------------------------|
| Overall Width | 23 ^{1/2} " in (596 mm) |
| Overall Height | 33 ^{1/2} " in (850 mm) |
| Overall Depth | 25 ^{5/16} " in (643 mm) |
| Shipping weight | 221 lbs (100 kg) |
| Capacity | 17.6 lbs. / 2.26 cu. ft. |
| Electrical Connection | 120V, 15A |

FEATURES

- HoneyComb drum
- 11 Wash Programs including SoftSteam option
- DirectSensor user interface
- WiFiConn@ct and Mobile Control
- CapDos
- Add Laundry Feature
- 1600 rpm max spin speed

WASH PROGRAMS

- Darks/Denims
- Express
- Handwash
- Delicates
- Proofing
- Dress Shirts
- Outdoor
- Drain/spin
- Normal
- Extra White
- Sanitize

WASH OPTIONS

- SoftSteam
- Buzzer

| MATCHING DRYERS | MATERIAL |
|-----------------|----------|
| TWD 360 WP | 11619730 |

| ACCESSORIES | MATERIAL | UMRP/RETAIL |
|---|----------|-------------------|
| WTV 500 (Stacking Kit) | 9612041 | \$43.28 / \$43.28 |
| WTV 502 (Stacking Kit) | 9256140 | \$104 / \$104 |
| WTV 512 (Stacking Kit w/ Drawer 4 ^{5/8} " H) | 9351790 | \$259 / \$259 |
| WTS 510 (Pedestal 13 ^{7/8} " H) | 9322300 | \$579 / \$579 |
| Adaptor NEMA 14-30 | 10983750 | \$60 / \$60 |

W1 Washing Machines



| MODEL | MATERIAL | UMRP/RETAIL |
|-------------|----------|-------------------|
| WWD 660 WCS | 11614100 | \$1,699 / \$1,899 |

SPECIFICATIONS

| | |
|-----------------------|--------------------------|
| Overall Width | 23 1/2" in (596 mm) |
| Overall Height | 33 1/2" in (850 mm) |
| Overall Depth | 25 5/16" in (643 mm) |
| Shipping Weight | 221 lbs (100 kg) |
| Capacity | 17.6 lbs. / 2.26 cu. ft. |
| Electrical Connection | 120V, 15A |

FEATURES

- HoneyComb drum
- TwinDos automatic detergent dispensing
- 11 Wash Programs including SoftSteam option
- DirectSensor user interface
- WiFiConn@ct and mobile control
- CapDos
- Add Laundry feature
- 1600 rpm max spin speed

WASH PROGRAMS

- Darks/Denims
- Express
- Handwash
- Delicates
- Proofing
- Dress Shirts
- Outdoor
- Drain/spin
- Normal
- Extra White
- Sanitize

WASH OPTIONS

- SoftSteam
- Buzzer
- Soak
- Pre-rinse
- AllergyWash
- SingleWash

| MATCHING DRYERS | MATERIAL |
|-----------------|----------|
| TWD 360 WP | 11619730 |

| ACCESSORIES | MATERIAL | UMRP/RETAIL |
|---|----------|-------------------|
| WTV 500 (Stacking Kit) | 9612041 | \$43.28 / \$43.28 |
| WTV 502 (Stacking Kit) | 9256140 | \$104 / \$104 |
| WTV 512 (Stacking Kit w/ Drawer 4 ^{5/8} " H) | 9351790 | \$259 / \$259 |
| WTS 510 (Pedestal 13 ^{7/8} " H) | 9322300 | \$579 / \$579 |
| Adaptor NEMA 14-30 | 10983750 | \$60 / \$60 |

W1 Washing Machines



| MODEL | MATERIAL | UMRP/RETAIL |
|-------------|----------|-------------------|
| WXF 660 WCS | 11614130 | \$1,799 / \$1,999 |

SPECIFICATIONS

| | |
|-----------------------|--------------------------|
| Overall Width | 23 1/2" in (596 mm) |
| Overall Height | 33 1/2" in (850 mm) |
| Overall Depth | 25 5/16" in (643 mm) |
| Shipping Weight | 221 lbs (100 kg) |
| Capacity | 17.6 lbs. / 2.26 cu. ft. |
| Electrical Connection | 120V, 15A |

FEATURES

- HoneyComb drum
- TwinDos automatic detergent dispensing
- 20 Wash Programs including SoftSteam option
- DirectSensor user interface
- WiFiConn@ct and mobile control
- CapDos
- Add Laundry feature
- 1600 rpm max spin speed

WASH PROGRAMS

- Darks/Denims
- Express
- Handwash
- Delicates
- Proofing
- Pillows
- Baby clothes
- Quick rinse
- Dress Shirts
- Outdoor
- Wrinkle-free
- Silks
- Towels
- Sportswear
- Woolens
- Table Linens/Drapes
- Normal
- Extra White
- Sanitize
- Downs

WASH OPTIONS

- SoftSteam
- Buzzer
- Soak
- Pre-rinse
- AllergyWash
- SingleWash

| MATCHING DRYERS | MATERIAL |
|-----------------|----------|
| TXI 680 WP | 11619850 |

| ACCESSORIES | MATERIAL | UMRP/RETAIL |
|---|----------|-------------------|
| WTV 500 (Stacking Kit) | 9612041 | \$43.28 / \$43.28 |
| WTV 502 (Stacking Kit) | 9256140 | \$104 / \$104 |
| WTV 512 (Stacking Kit w/ Drawer 4 ^{5/8} " H) | 9351790 | \$259 / \$259 |
| WTS 510 (Pedestal 13 ^{7/8} " H) | 9322300 | \$579 / \$579 |
| Adaptor NEMA 14-30 | 10983750 | \$60 / \$60 |

W1 Washing Machines



| MODEL | MATERIAL | UMRP/RETAIL |
|-------------|----------|-------------------|
| WXI 860 WCS | 11614140 | \$2,099 / \$2,299 |

SPECIFICATIONS

| | |
|-----------------------|----------------------------------|
| Overall Width | 23 ^{1/2} " in (596 mm) |
| Overall Height | 33 ^{1/2} " in (850 mm) |
| Overall Depth | 25 ^{5/16} " in (643 mm) |
| Shipping weight | 221 lbs (100 kg) |
| Capacity | 17.6 lbs. / 2.26 cu. ft. |
| Electrical Connection | 120V, 15A |

FEATURES

- HoneyComb drum
- TwinDos automatic detergent dispensing
- 21 Wash Programs including SoftSteam option
- QuickIntenseWash and Single-Wash option
- WiFiConn@ct and Mobile Control
- CapDos
- 1600 rpm max spin speed

WASH PROGRAMS

- Darks/Denims
- Express
- Handwash
- Delicates
- Proofing
- Pillows
- Baby clothes
- Quick rinse
- Dress Shirts
- Outdoor
- Wrinkle-free
- QuickIntense-Wash
- Silks
- Towels
- Sportswear
- Woolens
- Table Linens/Drapes
- Normal
- Extra White
- Sanitize
- Downs

WASH OPTIONS

- SoftSteam
- Buzzer
- Soak
- Pre-rinse
- AllergyWash
- SingleWash

| MATCHING DRYERS | MATERIAL |
|-----------------|----------|
| TXI 680 WP | 11619850 |

| ACCESSORIES | MATERIAL | UMRP/RETAIL |
|---|----------|-------------------|
| WTV 500 (Stacking Kit) | 9612041 | \$43.28 / \$43.28 |
| WTV 502 (Stacking Kit) | 9256140 | \$104 / \$104 |
| WTV 512 (Stacking Kit w/ Drawer 4 ^{5/8} " H) | 9351790 | \$259 / \$259 |
| WTS 510 (Pedestal 13 ^{7/8} " H) | 9322300 | \$579 / \$579 |
| Adaptor NEMA 14-30 | 10983750 | \$60 / \$60 |

W1 Washing Machines



| MODEL | MATERIAL | UMRP/RETAIL |
|-------------|----------|--------------------|
| WXR 860 WCS | 11613700 | \$2,449 / \$2, 649 |

SPECIFICATIONS

| | |
|-----------------------|---|
| Overall Width | 23 ¹ / ₂ " in (596 mm) |
| Overall Height | 33 ¹ / ₂ " in (850 mm) |
| Overall Depth | 25 ⁵ / ₁₆ " in (643 mm) |
| Shipping weight | 221 lbs (100 kg) |
| Capacity | 17.6 lbs. / 2.26 cu. ft. |
| Electrical Connection | 120V, 15A |

FEATURES

- HoneyComb drum
- M Touch premium user interface
- TwinDos automatic detergent dispensing
- 25 Wash Programs including SoftSteam option
- QuickIntenseWash and SingleWash option
- CapDos
- 1600 rpm max spin speed

WASH PROGRAMS

- Express
- Handwash
- Delicates
- Curtains
- Proofing
- Denim
- Pillows
- Baby clothes
- Quick rinse
- Sneakers
- Dress Shirts
- Outdoor
- Wrinkle-free
- QuickIntenseWash
- Silks
- Towels
- Sportswear
- Starch
- Woolens
- Table Linens/ Drapes
- Normal
- Extra White
- Sanitize
- Downs
- Dark garments

WASH OPTIONS

- SoftSteam
- Buzzer
- Soak
- Pre-rinse
- AllergyWash
- SingleWash

| MATCHING DRYERS | MATERIAL |
|-----------------|----------|
| TXR 860 WP | 11620030 |

| ACCESSORIES | MATERIAL | UMRP/RETAIL |
|--|----------|-------------------|
| WTV 500 (Stacking Kit) | 9612041 | \$43.28 / \$43.28 |
| WTV 502 (Stacking Kit) | 9256140 | \$104 / \$104 |
| WTV 512 (Stacking Kit w/ Drawer 4 ⁵ / ₈ " H) | 9351790 | \$259 / \$259 |
| WTS 510 (Pedestal 13 ⁷ / ₈ " H) | 9322300 | \$579 / \$579 |
| Adaptor NEMA 14-30 | 10983750 | \$60 / \$60 |

T1 Heat Pump Dryers



| MODEL | MATERIAL | UMRP/RETAIL |
|------------|----------|-------------------|
| TXD 160 WP | 11619650 | \$1,599 / \$1,799 |

| SPECIFICATIONS | |
|-----------------------|----------------------|
| Overall Width | 23 1/2" in (596 mm) |
| Overall Height | 33 1/2" in (850 mm) |
| Overall Depth | 25 5/16" in (643 mm) |
| Shipping weight | 137 lbs (62 kg) |
| Capacity | 4.02 cu. ft. |
| Electrical Connection | 120V, 15A |

| FEATURES | |
|--|----------------------------------|
| - Ventless Heat-Pump Dryer | - DirectSensor user interface |
| - Honeycomb drum | - WiFiConn@ct and Mobile Control |
| - PerfectDry moisture sensing technology | - FragranceDos |
| | - EnergyStar Most Efficient |

| DRYING PROGRAMS | | |
|-----------------|-----------------|---------------------|
| - Normal | - Woolens/Silks | - Time dry/DryFresh |
| - Bed linens | - Proofing | - Dress Shirts |
| - Express | - Denim | - Outdoor |
| - Delicates | | |

| DRYING OPTIONS |
|----------------|
| - Anti-Crease |
| - Gentle |
| - Buzzer |

| MATCHING WASHERS | MATERIAL |
|------------------|----------|
| WXD 160 WCS | 11614070 |

| ACCESSORIES | MATERIAL | UMRP/RETAIL |
|---|----------|-------------------|
| WTV 500 (Stacking Kit) | 9612041 | \$43.28 / \$43.28 |
| WTV 502 (Stacking Kit) | 9256140 | \$104 / \$104 |
| WTV 512 (Stacking Kit w/ Drawer 4 5/8" H) | 9351790 | \$259 / \$259 |
| WTS 510 (Pedestal 13 7/8" H) | 9322300 | \$579 / \$579 |
| Adaptor NEMA 14-30 | 10983750 | \$60 / \$60 |
| TRK 555 Dryer Basket | 9614800 | \$80 / \$80 |

T1 Heat Pump Dryers



| MODEL | MATERIAL | UMRP/RETAIL |
|------------|----------|-------------------|
| TWD 360 WP | 11619730 | \$1,699 / \$1,899 |

| SPECIFICATIONS | |
|-----------------------|---|
| Overall Width | 23 ¹ / ₂ " in (596 mm) |
| Overall Height | 33 ¹ / ₂ " in (850 mm) |
| Overall Depth | 25 ⁵ / ₁₆ " in (643 mm) |
| Shipping weight | 137 lbs (62 kg) |
| Capacity | 4.02 cu. ft. |
| Electrical Connection | 120V, 15A |

| FEATURES | |
|--|----------------------------------|
| - Ventless Heat-Pump Dryer | - DirectSensor user interface |
| - Honeycomb drum | - WiFiConn@ct and Mobile Control |
| - PerfectDry moisture sensing technology | - FragranceDos ² |
| | - EnergyStar Most Efficient |

| DRYING PROGRAMS | | |
|-----------------|-----------------|---------------------|
| - Normal | - Woolens/Silks | - Time dry/DryFresh |
| - Bed linens | - Proofing | - Dress Shirts |
| - Express | - Denim | - Outdoor |
| - Delicates | | |

| DRYING OPTIONS |
|----------------|
| - Anti-Crease |
| - Gentle |
| - Buzzer |

| MATCHING WASHERS | MATERIAL |
|------------------|----------|
| WWD 160 WCS | 11614040 |
| WWD 660 WCS | 11614100 |

| ACCESSORIES | MATERIAL | UMRP/RETAIL |
|--|----------|-------------------|
| WTV 500 (Stacking Kit) | 9612041 | \$43.28 / \$43.28 |
| WTV 502 (Stacking Kit) | 9256140 | \$104 / \$104 |
| WTV 512 (Stacking Kit w/ Drawer 4 ⁵ / ₈ " H) | 9351790 | \$259 / \$259 |
| WTS 510 (Pedestal 13 ⁷ / ₈ " H) | 9322300 | \$579 / \$579 |
| Adaptor NEMA 14-30 | 10983750 | \$60 / \$60 |
| TRK 555 Dryer Basket | 9614800 | \$80 / \$80 |

T1 Heat Pump Dryers



| MODEL | MATERIAL | UMRP/RETAIL |
|------------|----------|-------------------|
| TXI 680 WP | 11619850 | \$1,799 / \$1,999 |

SPECIFICATIONS

| | |
|-----------------------|----------------------|
| Overall Width | 23 1/2" in (596 mm) |
| Overall Height | 33 1/2" in (850 mm) |
| Overall Depth | 25 5/16" in (643 mm) |
| Shipping weight | 137 lbs (62 kg) |
| Capacity | 4.02 cu. ft. |
| Electrical Connection | 120V, 15A |

FEATURES

- Ventless Heat-Pump Dryer
- Honeycomb drum
- PerfectDry moisture sensing technology
- ComfortSensor user interface
- 19 Programs including SoftSteam
- FragranceDos²
- EnergyStar Most Efficient

DRYING PROGRAMS

- Table Linens/Drapes
- Normal
- Bed linens
- Express
- Delicates
- SoftSteam
- Woolens/Silks
- Proofing
- Denim
- Pillows
- Basket
- Cold air
- Time dry
- DryFresh
- Dress Shirts
- Outdoor
- Wrinkle-free
- Sportswear
- Smoothing

DRYING OPTIONS

- Anti-Crease
- Gentle
- Buzzer
- Freshen Up

| MATCHING WASHERS | MATERIAL |
|------------------|----------|
| WXF 660 WCS | 11614130 |
| WXI 860 WCS | 11614140 |

| ACCESSORIES | MATERIAL | UMRP/RETAIL |
|---|----------|-------------------|
| WTV 500 (Stacking Kit) | 9612041 | \$43.28 / \$43.28 |
| WTV 502 (Stacking Kit) | 9256140 | \$104 / \$104 |
| WTV 512 (Stacking Kit w/ Drawer 4 ^{5/8} " H) | 9351790 | \$259 / \$259 |
| WTS 510 (Pedestal 13 ^{7/8} " H) | 9322300 | \$579 / \$579 |
| Adaptor NEMA 14-30 | 10983750 | \$60 / \$60 |
| TRK 555 Dryer Basket | 9614800 | \$80 / \$80 |

T1 Heat Pump Dryers



| MODEL | MATERIAL | UMRP/RETAIL |
|------------|----------|-------------------|
| TXR 860 WP | 11620030 | \$2,449 / \$2,649 |

SPECIFICATIONS

| | |
|-----------------------|---|
| Overall Width | 23 ¹ / ₂ " in (596 mm) |
| Overall Height | 33 ¹ / ₂ " in (850 mm) |
| Overall Depth | 25 ⁵ / ₁₆ " in (643 mm) |
| Shipping weight | 137 lbs (62 kg) |
| Capacity | 4.02 cu. ft. |
| Electrical Connection | 120V, 15A |

FEATURES

- Ventless Heat-Pump Dryer
- Honeycomb drum
- PerfectDry moisture sensing technology
- M Touch premium user interface
- 19 Programs including SoftSteam
- FragranceDos²
- EnergyStar Most Efficient

DRYING PROGRAMS

- Table Linens/Drapes
- Normal
- Bed linens
- Express
- Delicates
- SoftSteam
- Woolens/Silks
- Proofing
- Denim
- Pillows
- Basket
- Cold air
- Time dry
- DryFresh
- Dress Shirts
- Outdoor
- Wrinkle-free
- Sportswear
- Smoothing

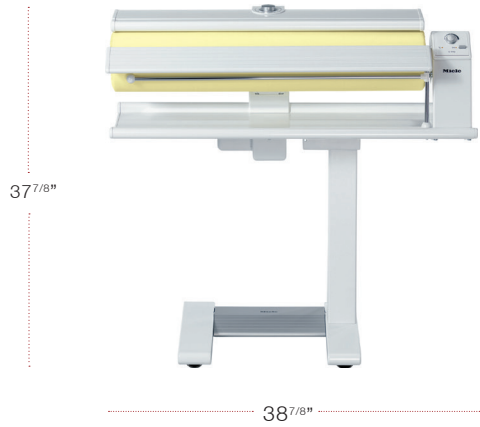
DRYING OPTIONS

- Anti-Crease
- Gentle
- Buzzer
- Freshen Up

| MATCHING WASHERS | MATERIAL |
|----------------------|----------|
| WXR 860 WCS 11620030 | 11620030 |

| ACCESSORIES | MATERIAL | UMRP/RETAIL |
|--|----------|-------------------|
| WTV 500 (Stacking Kit) | 9612041 | \$43.28 / \$43.28 |
| WTV 502 (Stacking Kit) | 9256140 | \$104 / \$104 |
| WTV 512 (Stacking Kit w/ Drawer 4 ⁵ / ₈ " H) | 9351790 | \$259 / \$259 |
| WTS 510 (Pedestal 13 ⁷ / ₈ " H) | 9322300 | \$579 / \$579 |
| Adaptor NEMA 14-30 | 10983750 | \$60 / \$60 |
| TRK 555 Dryer Basket | 9614800 | \$80 / \$80 |

Rotary Ironer



| MODEL | MATERIAL | UMRP/RETAIL |
|------------------------|----------|-------------------|
| B 990 Rotary Ironer | 7222730 | \$2,549 / \$2,749 |

FINISH

Lotus White

SPECIFICATIONS

| | |
|-----------------------|-------------------------------|
| Width | 38 ^{3/4} in (985 mm) |
| Height | 37 ^{3/4} in (959 mm) |
| Depth | 15 in (380 mm) |
| Shipping Weight | 92.5 lbs (45 kg) |
| Roller Width | 32.5 in |
| Electrical Connection | 120V 15A |

FEATURES

- 32.5" Wide Roller
- Three Heating Elements for Optimum Heat Distribution
- Variable Roller Speed
- Temperature Selection to Suit Textiles
- Laundry Feed Board for Easy Laundry Handling
- Convenient Infeed Board with Ample Storage Space
- Airing Bar for Crease-Free Cooling
- Moisture - Absorbing Roller Padding
- Convenient Folding Mechanism
- Easily Maneuverable with Four Castors
- Wide Foot Control Bar
- Automatic Finger Guard
- Emergency Release

Product Highlights

Professional for the Home Laundry

*See specific models for details

Washing Machines

| FEATURE | DESCRIPTION |
|---|---|
| Honeycomb Drum | Has a perforated rear panel for fast wetting of laundry. The perforated rear panel Honeycomb Drum combined with high spin speeds supports shorter cycle time without compromising on performance. |
| Express Wash | Providing excellent cleanliness in just 25-minutes. |
| Ultimate Convenience | With intuitive M Touch controls, easily select your settings with the swipe of a finger. Choose from 50+ programs; 5 are customizable. |
| CapDosing | Dispense special detergent for different types of fabric by placing a portioned capsule into the fabric softener compartment. |
| Professional Grade Laundry for the Home | The Little Giant Washers have a 2.58 ft ³ drum size and provide professional-grade disinfection and fabric care in a high-efficiency, compact system. |

Dryers

| FEATURE | DESCRIPTION |
|-----------------------|---|
| Honeycomb Drum | Fewer creases and easier ironing, the honeycomb structure allows laundry to be dried gently and evenly. |
| Heat-Pump Technology | Saving on energy consumption, the heat generated is reused and low temperatures protect the high-quality fibers in the most delicate fabrics. |
| Ultimate Convenience | With intuitive M Touch controls, easily select your settings with the swipe of a finger. Choose from 35 programs; 5 are customizable. |
| PerfectDry | PerfectDry takes the residual moisture level into account and modifies the drying process accordingly. |
| Powerful Drive System | Two separate motors for a quicker and more efficient drying process with even less creasing. |

Little Giant Washer - Performance Plus

PWM 908 DP, Lotus White



PWM 908 DP, Stainless Steel



| MODEL | MATERIAL | MAP/RETAIL |
|-------------------------------|----------|-------------------|
| PWM 908 DP Lotus White | 11204460 | \$5,740 / \$5,940 |
| PWM 908 DP Stainless Steel | 11204470 | \$6,100 / \$6,300 |

| MATCHING DRYERS | MATERIAL |
|-------------------------------|----------|
| PDR 908 HP Lotus White | 11204480 |
| PDR 908 HP Stainless Steel | 11204490 |

SPECIFICATIONS

| | |
|--|--------------------------------|
| Width | 23 ^{7/16} in (596 mm) |
| Height | 33 ^{7/16} in (850 mm) |
| Depth | 28 ^{1/8} in (714 mm) |
| Shipping Weight | 230 lbs (104 kg) |
| Front Material (Lotus White Model) | Porcelain Enameled White |
| Front Material (Stainless Steel Model) | Stainless Steel |
| Side Panels (both models) | Powder Coated White |
| Electrical Connection | 2 AC 208-240V, 60 Hz, 30 A |
| Plug | NEMA L6-30 |
| Capacity | 2.58 cu.ft.; 73 Liter |

FEATURES

- Spin Speed; 1600 rpm
- Detergent Dispenser Drawer, 3 Compartments
- CapDosing
- Possible Connections to Dispensing Pumps: 6
- M Touch Flex User Interface (No Buttons or Dials)
- 49-minute Cotton 140°F Program (with Hot Water Connection)
- 25-minute Express Wash Cycle
- 50+ Programs: 5 Customizable
- High Temperature Disinfection Programs (up to 200°F)
- Bearing Designed for 30,000 Operating Hours
- Stackable or Side-by-Side Configuration
- 3D Imbalance Monitoring
- Commercial Soft-Mounted
- HoneyComb Drum (for Washers) with Perforated Rear Wall

PROGRAMS

- Standard Programs: 16
- Sport Programs: 4
- Down Filled Items
- Outwear
- Proofing
- Wellness/ Hair Salon Programs: 3
- Work Wear like Oil/fat Special, Dust/ Flour Special
- Thermal Disinfection: 16
- Wet Care Programs: 5

| OPTIONAL ACCESSORIES | MATERIAL | MAP |
|--|----------|-------|
| APCL 001 Stainless Steel Stacking Kit | 11167420 | \$230 |
| APCL 084 Iron-Grey Base, Open, 6 in. Tall | 11776560 | \$485 |
| APCL 085 Iron-Grey Base, Open, 12 in. Tall | 11776570 | \$520 |
| APCL 087 Iron-Grey Base, Open, 19 in. Tall | 11776600 | \$685 |
| APCL 005 Stainless Steel Base, Closed, 12 in. Tall | 11318800 | \$690 |
| APCL 011 Stainless Steel Base, Closed 19 in. Tall | 11318830 | \$865 |
| APCL 022 Box Base. | 11476830 | \$995 |
| APCL 043 XCI-Box. | 11492730 | \$215 |
| APCL 046 XCI PWM/PDR EL. | 11537560 | \$250 |
| APCL 047 XCI PWM/PDR HP. | 11537570 | \$250 |
| APCL 016 Dispensing adapter kit LD 6xD6 | 11229320 | \$85 |
| APCL 017 Dispensing adapter kit LD 4xD9 | 11229340 | \$85 |

Little Giant Dryer - Performance Plus



| MODEL | MATERIAL | MAP/RETAIL |
|----------------------------|----------|-------------------|
| PDR 908 HP Lotus White | 11204480 | \$4,520 / \$4,720 |
| PDR 908 HP Stainless Steel | 11204490 | \$4,880 / \$5,080 |

SPECIFICATIONS

| | |
|--|--------------------------------|
| Width | 23 ^{7/16} in (596 mm) |
| Height | 33 ^{7/16} in (850 mm) |
| Depth | 30 ^{9/16} in (777 mm) |
| Shipping Weight | 170 lbs (77 kg) |
| Front Material (Lotus White Model) | Porcelain Enameled White |
| Front Material (Stainless Steel Model) | Stainless Steel |
| Side Panels (both models) | Powder Coated White |
| Electrical Connection | 2 AC 208-240V, 60 Hz, 30 A |
| Plug | NEMA L6-30 |
| Capacity | 4.59 cu.ft; 130 Liter |

FEATURES

- M Touch Flex User Interface (No Buttons or Dials)
- Stackable or Side-by-Side Configuration
- Heat Pump Dryer Technology
- 50+ Programs; 5 Customizable Rated Energy Star Most Efficient
- FragranceDos Capable
- Dryer Featuring 4D Filtration System
- HoneyComb Drum (for Dryers) with Perforated Rear Wall
- PerfectDry System: Residual Moisture Controlled
- Axial Airflow

| MATCHING WASHERS | MATERIAL |
|----------------------------|----------|
| PWM 908 DP Lotus White | 11204460 |
| PWM 908 DP Stainless Steel | 11204470 |

PROGRAMS

- Standard Programs: 17
- Sport Programs: 4
- Down Bedding
- Synthetic Bedding
- Large Items
- Hygiene Programs: 3
- Wet Care Programs: 3
- Flatwork Programs: 3
- Special Programs: 5
- Timed Drying Programs: 4

| OPTIONAL ACCESSORIES | MATERIAL | MAP |
|--|----------|-------|
| TRK 555 Dryer Basket | 9614800 | \$80 |
| APCL 001 Stainless Steel Stacking Kit | 11167420 | \$230 |
| APCL 084 Iron-Grey Base, Open, 6 in. Tall | 11776560 | \$485 |
| APCL 085 Iron-Grey Base, Open, 12 in. Tall | 11776570 | \$520 |
| APCL 087 Iron-Grey Base, Open, 19 in. Tall | 11776600 | \$685 |
| APCL 005 Stainless Steel Base, Closed, 12 in. Tall | 11318800 | \$690 |
| APCL 011 Stainless Steel Base, Closed 19 in. Tall | 11318830 | \$865 |

Professional Rotary Ironer



| MODEL | MATERIAL | MAP/RETAIL |
|-------------------------|----------|-------------------|
| HM 16-80 Lotus White | 10238590 | \$3,720 / \$4,110 |

| OPTIONAL ACCESSORIES | MATERIAL | MAP |
|----------------------|----------|------|
| APRI 310 Dust Cover. | 11563330 | \$65 |

SPECIFICATIONS

| | |
|-----------------------|---------------------------------|
| Width | 38 ^{3/4} in (985 mm) |
| Height | 37 ^{3/4} in (959 mm) |
| Depth | 14 ^{15/16} in (380 mm) |
| Drum Diameter | 6 ^{5/16} in (160 mm) |
| Working Width | 32 ^{11/16} in (830 mm) |
| Shipping Weight | 100 lbs (45 kg) |
| Electrical Connection | 2 AC 208-240V, 50-60 Hz, 20 A |
| Plug | NEMA L6-20 |

FEATURES

- Heater Plate Material; Aluminium
- Padding; Polyester Needle-Felt Cloth
- Control System; Rotary Selector
- Minimum Ironer Speed, Can Be Set in ft/min; 2
- Feed-In Board
- Minimum Ironer Speed, Can Be Set in ft/min; 4.5
- Steam Function
- Fold-Away Function
- Foot Switch
- Airing Bar

Accessories & Consumables

Laundry

| W1 TWINDOS CARTRIDGES | MATERIAL | UMRP |
|---|----------|---------|
| TwinDos Cartridge UltraPhase 1 | 11504560 | \$29.99 |
| TwinDos Cartridge UltraPhase 2 | 11891860 | \$29.99 |
| TwinDos Cartridge UltraPhase 1 Refresh Elixir | 11614970 | \$30.99 |
| TwinDos Cartridge UltraPhase 2 Refresh Elixir | 11615060 | \$30.99 |
| TwinDosCare | 11171450 | \$18.99 |
| TwinDos Cartridge UltraPhase 1 Sensitive | 11716880 | \$30.99 |
| TwinDos Cartridge UltraPhase 2 Sensitive | 10923680 | \$30.99 |

| W1 CAPDOS CAPSULES | MATERIAL | UMRP |
|-------------------------|----------|---------|
| Sport - Box of 6 | 11703190 | \$12.49 |
| Booster - Box of 6 | 10755980 | \$12.49 |
| Outdoor - Box of 6 | 10757030 | \$12.49 |
| Aqua - Box of 9 | 10755290 | \$10.99 |
| WoolCare - Box of 9 | 10755570 | \$12.99 |
| ImpraProtect - Box of 3 | 10757720 | \$23.99 |
| DownCare - Box of 6 | 10756370 | \$12.49 |
| SilkCare - Box of 6 | 10756190 | \$12.49 |
| Nature - Box of 9 | 10755460 | \$10.99 |
| Cocoon - Box of 9 | 10755520 | \$10.99 |
| UltraDark - Box of 9 | 10755680 | \$12.49 |
| CottonRepair - Box of 3 | 11703360 | \$22.99 |

| T1 FLACON | MATERIAL | UMRP |
|------------------------------------|----------|---------|
| Nature Flacon Capsule (Box of 1) | 10813410 | \$19.99 |
| Aqua Flacon Capsule (Box of 1) | 10813390 | \$19.99 |
| Cocoon Flacon Capsule (Box of 1) | 10813430 | \$19.99 |
| DryFresh Flacon Capsule (Box of 1) | 11520920 | \$19.99 |
| Set 3x Aqua Flacon Capsules | 11614550 | \$59.97 |
| Set 3x Cocoon Flacon Capsules | 11614700 | \$59.97 |
| Set 3x DryFresh Flacon Capsules | 11614780 | \$59.97 |
| Set 3x Nature Flacon Capsules | 11614600 | \$59.97 |

| PRODUCT | MATERIAL | UMRP |
|---------------------------------|----------|---------|
| UltraColor Liquid Detergent | 11979450 | \$25.99 |
| UltraDark Liquid Detergent | 11986840 | \$27.99 |
| UltraSoft Fabric Softener | 11987230 | \$17.99 |
| WoolCare Liquid Detergent | 11979320 | \$24.99 |
| UltraColor Powder Detergent | 10459790 | \$36.99 |
| UltraWhite Powder Detergent | 10459720 | \$36.99 |
| Sensitive Skin Powder Detergent | 10459870 | \$36.99 |

Accessories & Consumables

Dishwashers

| PRODUCT | MATERIAL | UMRP |
|--|----------|----------|
| UltraTabs All in 1 (3-Pack, 60 Tabs) | 11295860 | \$34.99 |
| UltraTab 120 Series Promo Pack | 11347040 | \$69.98 |
| PowerDisk (6-pack) | 11841390 | \$107.94 |
| PowerDisk (Single Pack) | 11841540 | \$17.99 |
| Miele UltraTabs All in 1, 180 pieces (voucher) | 11574320 | \$104.97 |
| Dishwasher Salt | 10248600 | \$13.99 |
| Dishwasher Rinse Aid | 11772170 | \$13.99 |
| DishClean Dishwasher Conditioner | 9959340 | \$15.99 |
| Dishwasher Freshener | 10118510 | \$9.99 |

Professional for the Home Dishwashers

| PRODUCT | MATERIAL | MAP |
|---|----------|-------|
| ProCare Shine 12 GC Dishwasher Tabs - 80 tabs | 11712580 | \$55 |
| ProCare Shine 10 MA Liquid Detergent - 5 L | 10923610 | \$55 |
| ProCare Shine 40 Rinse Aid - 1 L | 10923710 | \$35 |
| ProCare Shine 40 Rinse Aid - 5 L | 10328030 | \$110 |
| ProCare Universal Dishwasher Salt | 9195780 | \$60 |
| CK/1 DIN 51 Canister Key | 11851600 | \$20 |

Miele

Miele, Inc.
9 Independence Way
Princeton, NJ 08540

mieleusa.com
800.843.7231

Visit one of Miele's Experience Centers:

Beverly Hills
Boca Raton
Chicago
Coral Gables
Manhattan
Princeton
Scottsdale
Seattle
Tysons Corner

Prices effective January 2023.

Prices subject to change without notice.

Miele reserves the right to accept or deny all orders at its Princeton, NJ offices.

Alteration rights reserved / January 2025