

F 4001 D

Freestanding freezer

with ComfortFrost, SuperFreeze and VarioRoom for flexible and secure storage.



- Optimum and maintenance-free LED lighting in compartment
- Handle-less design thanks to an integrated handle design
- Food is frozen quickly and gently – SuperFreeze
- Less frequent defrosting thanks to ComfortFrost
- Flexible increase in freezer volume – VarioRoom

EAN: 4002516722342 / Material number: 12389280 / Old Material Number: 37400144EU1

Appliance category	
Freezer	•
Construction type	
Freestanding appliance	•
Door hinge	right
Convertible door hinging	•
Design	
Casing colour	White
Front colour	White
Freezer compartment lighting	LED
User convenience	
Networking with Miele@home	•
ComfortFrost	•
VarioRoom	•
Concealed door opener	FrontOpen
Control system	
Operating concept	EasyControl
Precise adjustment	Freezer temperature
Independent temperature regulation of fridge and freezer zones	No
SuperFreeze	•
No. of temperature zones	1
Sabbath mode	•
Freezer/Freezer section	
Number of freezer drawers	4
Efficiency and sustainability	
Energy efficiency class (A–G)	D
Annual energy consumption in kWh	137,48
Energy consumption in 24 h in kWh	0,37
Safety	
Lock function	•
Acoustic door alarm	•
Acoustic temperature alarm	•
Optical door alarm	•
Optical temperature alarm	•
Power cut indication for freezer section	•
Internal heater for operation with low ambient temperatures	•
Technical data	
Appliance width in mm	602
Appliance height in mm	851
Appliance depth in mm	628
Weight in kg	37,0
Door hinge technology	Fixed door
Climate class	SN-T
4* freezer compartment in l	107
Total usable capacity in l	107
Storage time in case of fault in h	14
Freezer capacity in kg/24 h	7,50
Acoustic airborne noise emission class (A–D)	C
Sound emissions in dB(A) re 1 pW	36

F 4001 D

Freestanding freezer

with ComfortFrost, SuperFreeze and VarioRoom for flexible and secure storage.



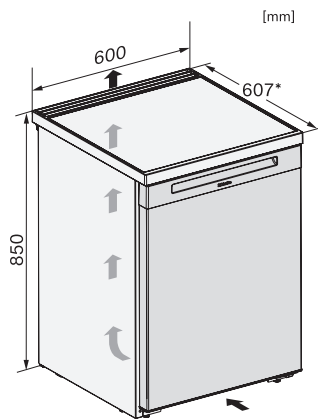
EAN: 4002516722342 / Material number: 12389280 / Old Material Number: 37400144EU1

Current consumption (mA)	1300
Voltage in V	220-240
Fuse rating in A	10
Number of phases	1
Frequency in Hz	50
Length of supply lead in m	2,0
Replacing lamps	Service
Accessories included	
Ice cube tray	•

F 4001 D

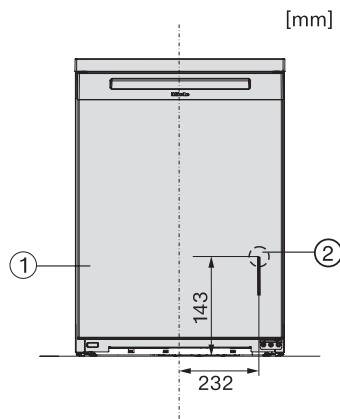
Freestanding freezer

with ComfortFrost, SuperFreeze and VarioRoom for flexible and secure storage.



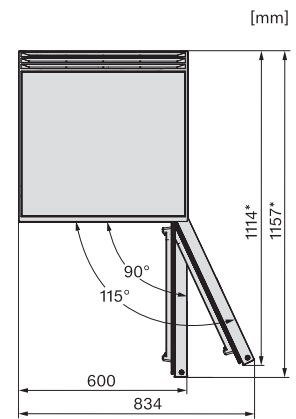
K4003D ws, K4002D ws, F4001D ws, F4001C ws, FN4002D ws, installation sketch (*footnote) (installation drawings)

*To achieve the declared energy consumption, the spacers supplied with the unit must be used. This increases the depth of the unit by approx. 35 mm. The unit is fully functional without the use of the spacers, but has a slightly higher energy consumption.



K4003D ws, K4002D ws, F4001D ws, F4001C ws, FN4002D ws, installation (*footnote) (installation drawings)

*1. View from the front, 2. Mains connection cable, L = 2200 mm



K4003D ws, K4002D ws, F4001D ws, F4001C ws, FN4002D ws, top view (*footnote) (installation drawings)

*To achieve the declared energy consumption, the spacers supplied with the unit must be used. This increases the depth of the unit by approx. 35 mm. The unit is fully functional without the use of the spacers, but has a slightly higher energy consumption.