

K 4003 D
Freestanding refrigerator
with DailyFresh and DynaCool for convenient freshness.

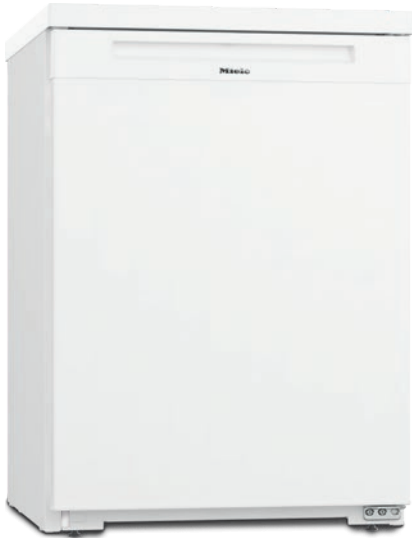


- Spacious drawer with moisture control – DailyFresh
- Optimum and maintenance-free LED lighting in compartment
- Flexible refrigerator adaptation for tall containers – FlexiBoard
- Dishwasher-safe door shelves – ComfortClean

EAN: 4002516721307 / Material number: 12389230 / Old Material Number: 36400344EU1

Appliance category	
Refrigerator	•
Construction type	
Freestanding appliance	•
Door hinge	right
Convertible door hinging	•
Design	
Casing colour	White
Front colour	White
Refrigeration section lighting	LED
User convenience	
Networking with Miele@home	•
Freshness system	DailyFresh
ComfortClean	•
Concealed door opener	FrontOpen
Control system	
Operating concept	EasyControl
Precise adjustment	Fridge temperature
Independent temperature regulation of fridge and freezer zones	No
Automatic SuperCool	•
No. of temperature zones	1
Sabbath mode	•
Fridge/Fridge section	
No. of shelves	4
including number of split shelves (FlexiBoard)	1
No. of crisper drawers	1
Number of inner door racks for tinned food	2
Door rack for bottles	1
Door shelves	3
Efficiency and sustainability	
Energy efficiency class (A–G)	D
Annual energy consumption in kWh	73,37
Energy consumption in 24 h in kWh	0,20
Safety	
Lock function	•
Acoustic door alarm	•
Optical door alarm	•
Technical data	
Appliance width in mm	600
Appliance height in mm	850
Appliance depth in mm	607
Weight in kg	35,6
Door hinge technology	Fixed door
Climate class	SN-T
Refrigerator compartment in l	141
Total usable capacity in l	141
Acoustic airborne noise emission class (A–D)	B
Sound emissions in dB(A) re 1 pW	34
Current consumption (mA)	1200

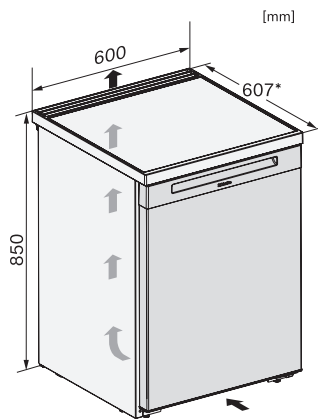
K 4003 D
Freestanding refrigerator
with DailyFresh and DynaCool for convenient freshness.



EAN: 4002516721307 / Material number: 12389230 / Old Material Number: 36400344EU1

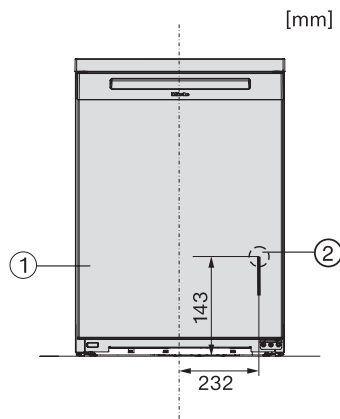
Voltage in V	220-240
Fuse rating in A	10
Number of phases	1
Frequency in Hz	50
Length of supply lead in m	2,0
Replacing lamps	Service
Accessories included	
Egg tray	•

K 4003 D
Freestanding refrigerator
with DailyFresh and DynaCool for convenient freshness.



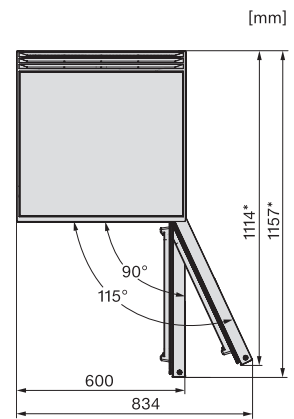
K4003D ws, K4002D ws, F4001D ws, F4001C ws, FN4002D ws, installation sketch (*footnote) (installation drawings)

*To achieve the declared energy consumption, the spacers supplied with the unit must be used. This increases the depth of the unit by approx. 35 mm. The unit is fully functional without the use of the spacers, but has a slightly higher energy consumption.



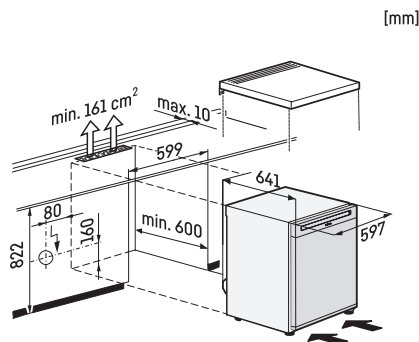
K4003D ws, K4002D ws, F4001D ws, F4001C ws, FN4002D ws, installation (*footnote) (installation drawings)

*1. View from the front, 2. Mains connection cable, L = 2200 mm



K4003D ws, K4002D ws, F4001D ws, F4001C ws, FN4002D ws, top view (*footnote) (installation drawings)

*To achieve the declared energy consumption, the spacers supplied with the unit must be used. This increases the depth of the unit by approx. 35 mm. The unit is fully functional without the use of the spacers, but has a slightly higher energy consumption.



K4003D ws, K4002D ws, installation sketch (*footnote) (installation drawings)

*To achieve the declared energy consumption, the spacers supplied with the unit must be used. This increases the depth of the unit by approx. 35 mm. The unit is fully functional without the use of the spacers, but has a slightly higher energy consumption.