

KMDA 7473 FL-U Silence

Induction hob with integrated vapour extraction
with Silence motor and 2 Flex zones for recirculation mode



- The quietest TwoInOne from Miele – Silence motor
- Flexible installation – Plug&Play or ducted recirculation mode
- Ample space – 4 large cooking zones incl. 2 Flex zones
- Automatic fan power regulation – Con@ctivity
- Compact control using the numerical display – ComfortSelect Plus

EAN: 4002516658139 / Material number: 12246280 / Old Material Number: 26747379GB

Construction type	
Induction hob with integrated vapour extraction	•
Operating modes	
Recirculation air guided with optional accessories	Recirculation
Recirculation air guided with optional accessories	DFK-xxxx, DUU 1500, DUU 600
Unguided recirculation air (Plug&Play installation)	Yes
Design	
Elegant glass ceramic surface	•
Flush	•
Ceramic surface colour	Black
Frameless – surface-mounted	•
Flush fit extractor	•
Colour of cover grille	Stainless steel
Cooking zone details	
Number of cooking zones	4
Number of cooking areas	2
Maximum number of pans	4
PowerFlex cooking zones	
No.	4
Type	Flex cooking zone
Diameter in mm	Ø 110-210
Rating in W	2100
Booster in W	3000
1st cooking zone/cooking area	
Position	Left
Type	Flex cooking area
Size in mm	210x420
Max. Booster power rating in W	3700
Max. rating in W	3000
2nd cooking zone/cooking area	
Position	right
Type	Flex cooking zone
Size in mm	210x420
Max. Booster power rating in W	3700
Max. rating in W	3000
User convenience	
Miele@home	•
Operation via sensor controls	ComfortSelect Plus
Automatic function Con@ctivity	•
Digital power level display	•
Display colour	Yellow
Auto heat-up	•
Keeping warm	•
Stop & Go function	•
Recall function	•
Safety switch-off	•
Permanent pan recognition	•
Individual setting options (e.g. buzzers)	•
Active charcoal filter saturation indicator	•

KMDA 7473 FL-U Silence

Induction hob with integrated vapour extraction
with Silence motor and 2 Flex zones for recirculation mode



EAN: 4002516658139 / Material number: 12246280 / Old Material Number: 26747379GB

Run-on time 5/15 min.	•
Wipe protection	•
Grease filter saturation indicator	•
Minute minder	•
Easy-to-clean canopy interior – CleanCover	•
Efficiency and sustainability	
ECO motor	•
Silence motor	•
Cleaning and care	
Easy to clean ceramic glass	•
Filter system	
Number of dishwasher-safe stainless steel grease filters (10-ply)	1
Recirculation	
Air throughput at min. level (m ³ /h) according to EN 61591	145
Air throughput at max. level (m ³ /h) according to EN 61591	465
Air throughput in Booster level 1 (m ³ /h) according to EN 61591	510
Sound power at min. level (dB(A) re 1 pW) according to EN 60704-3	47,0
Sound power at max. level (dB(A) re 1 pW) according to EN 60704-3	68,0
Sound pressure at min. level (dB(A) re 20 µPa) according to EN 60704-2-13	34,0
Sound power in Booster level 1 (dB(A) re 1 pW) acc. to EN 60704-3	70,0
Sound pressure at max. level (dB(A) re 20 µPa) according to EN 60704-2-13	55,0
Sound pressure in Booster level 1 (dB(A) re 20 µPa) acc. to EN 60704-2-13	57,0
Safety	
Safety switch-off	•
Lock function	•
System lock	•
Integrated cooling fan	•
Overheating protection	•
Residual heat indicator	•
Technical data	
Dimensions in mm (width)	800
Dimensions in mm (height)	200
Dimensions in mm (depth)	520
Cutout dimensions in mm (width) with surface-mounted installation	780
Cutout dimensions in mm (depth) with surface-mounted installation	500
Casing height incl. connection box in mm	200
Internal cutout dimensions in mm (width) with flush installation	780
Internal cutout dimensions in mm (depth) with flush installation	500
Weight in kg	15
External cutout dimensions in mm (width) with flush installation	804

KMDA 7473 FL-U Silence

Induction hob with integrated vapour extraction
with Silence motor and 2 Flex zones for recirculation mode

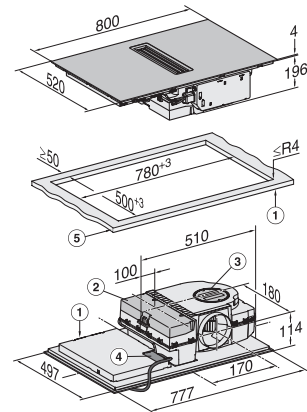
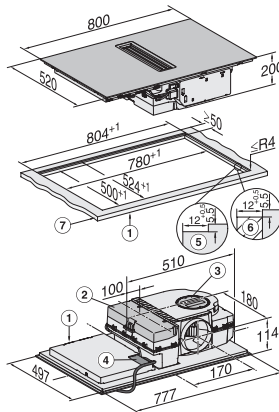


EAN: 4002516658139 / Material number: 12246280 / Old Material Number: 26747379GB

External cutout dimensions in mm (depth) with flush installation	524
Total rated load in kW	7,50
Voltage in V	230
Frequency in Hz	50-60
Length of supply lead in m	1,6
Accessories included	
Mains cable	Yes
Active charcoal filter for recirculation mode	•
Plug&Play adapter	•

KMDA 7473 FL-U Silence Induction hob with integrated vapour extraction with Silence motor and 2 Flex zones for recirculation mode

	Abluftbetrieb	Geführter Umluftbetrieb	Plug&Play-Betrieb
KMDA 7473 FR-A	✓	–	–
KMDA 7473 FR-U	–	✓	✓/✓
KMDA 7473 FL-A	✓	–	–
KMDA 7473 FL-U	–	✓	✓/✓



KMDA7473FL/FR – Operating options

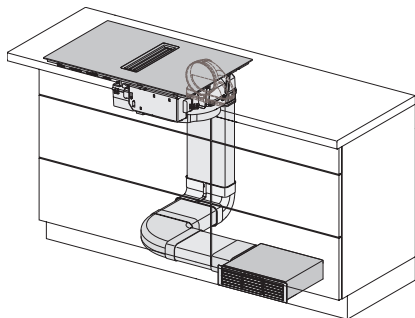
Possible, Possible – further accessories necessary, – Programming must be changed – further accessories necessary

KMDA7272FL, KMDA7473FL – flush – Installation drawing

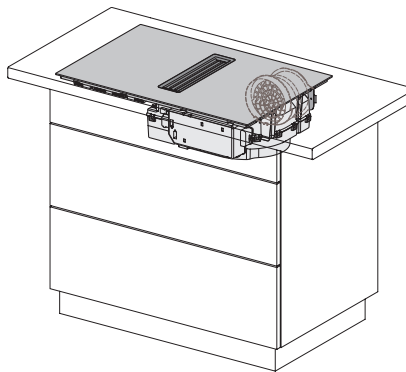
1) Front, 2) removable drip tray, 3) cleaning flap, 4) Mains connection box with mains connection cable, L = 1600 mm, 5) Step milling natural stone worktop, 6) Wooden strip 12 mm (not included in delivery), 7) Worktop thickness, Exhaust air and guided recirculation mode: ≥ 10 mm, Plug&play operation: ≥ 10 mm – ≤ 40 mm

KMDA7272FL, KMDA7473FL – Installation drawing

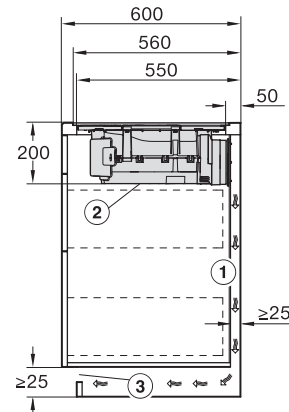
1) Front, 2) Removable drip tray, 3) Cleaning flap, 4) Mains connection box with mains connection cable, L = 1600 mm, 5) Worktop thickness, Exhaust air and guided recirculation mode: ≥ 10 mm, Plug&Play operation: ≥ 10 mm – ≤ 40 mm



KMDA7272FL/FR, KMDA7473FL/FR, Air circulation (Installation drawing)



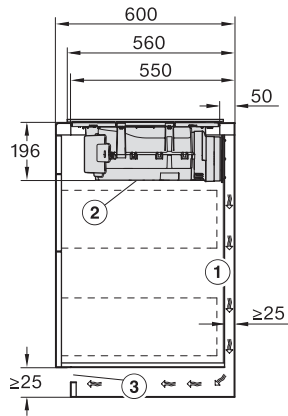
KMDA7272FL/FR, KMDA7473FL/FR, Plug&Play (Installation drawing)



KMDA7272FL, KMDA7473FL – Side view flush, Plug&Play – Installation drawing

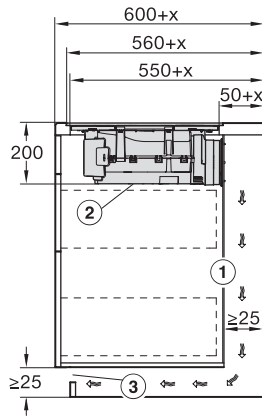
A minimum distance of 25 mm must be maintained for routing the exhaust air duct between the cabinet wall and an adjacent room wall or furniture. The removable collection tray and the cleaning flap must be accessible after installation. The cross-section of the ventilation opening must be at least 425 cm².

KMDA 7473 FL-U Silence Induction hob with integrated vapour extraction with Silence motor and 2 Flex zones for recirculation mode



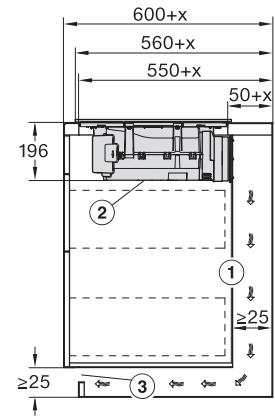
KMDA7272FL, KMDA7473FL – Side view lying on top, Plug&Play – Installation drawing

A minimum distance of 25 mm must be maintained for routing the exhaust air duct between the cabinet wall and an adjacent room wall or furniture. The removable collection tray and the cleaning flap must be accessible after installation. The cross-section of the vent opening must be at least 425 cm².



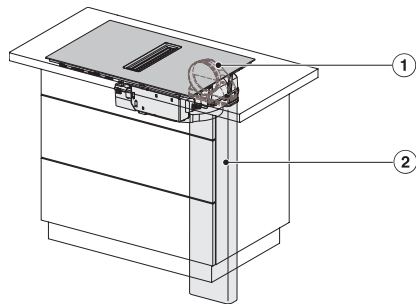
KMDA7272FL, KMDA7473FL – Side view flush+X, Plug&Play – Installation drawing

A minimum distance of 25 mm must be maintained for routing the exhaust air duct between the carcass wall and an adjacent room wall or furniture. If the carcass rear wall is > 555 mm from the worktop front, the Plug&Play adapter must be extended with a supplementary set from Miele. The removable drip tray and the cleaning flap must be accessible after installation. The cross-section of the vent opening must be at least 425 cm². , x Dimension by which the worktop depth is greater than 600 mm.



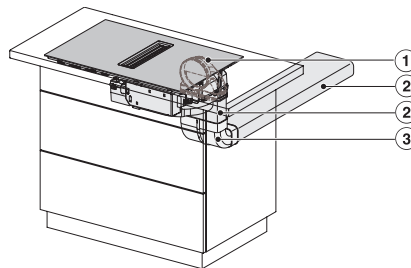
KMDA7272FL, KMDA7473FL – Side view lying on top+X, Plug&Play – Installation drawing

A minimum distance of 25 mm must be maintained for routing the exhaust air duct between the carcass wall and an adjacent room wall or furniture. If the carcass rear wall is > 555 mm from the worktop front, the Plug&Play adapter must be extended with a supplementary set from Miele. The removable drip tray and the cleaning flap must be accessible after installation. The cross-section of the vent opening must be at least 425 cm². , x Dimension by which the worktop depth is greater than 600 mm.



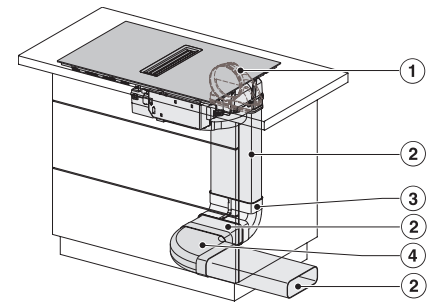
KMDA7272FL/FR, KMDA7473FL/FR – Installation variant 1 Basis -drawing

1) DFK-AK 90, 2) DFK-R 1000



KMDA7272FL/FR, KMDA7473FL/FR – Installation variant 2 Basis - drawing

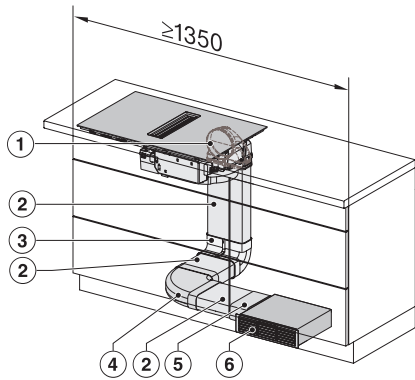
1) DFK-AK 90, 2) DFK-R 1000, 3) DFK-BV 90



KMDA7272FL/FR, KMDA7473FL/FR -Installation variant 3 Basis - drawing

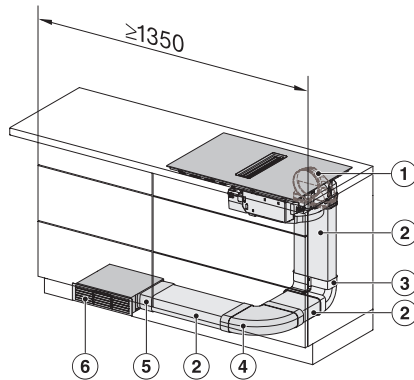
1) DFK-AK 90, 2) DFK-R 1000, 3) DFK-BV 90, 4) DFK-BH 90

KMDA 7473 FL-U Silence Induction hob with integrated vapour extraction with Silence motor and 2 Flex zones for recirculation mode



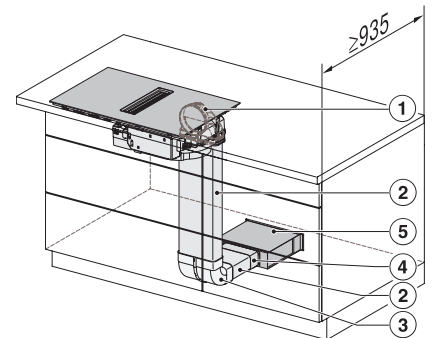
KMDA7272FL/FR, KMDA7473FL/FR – Installation variant 4 Circulating air – drawing

1) DFK-AK 90, 2) DFK-R 1000, 3) DFK-BV 90, 4) DFK-BH 90, 5) DFK-V, 6) DUU 1500, , The minimum width of the cabinet is 1350 mm.



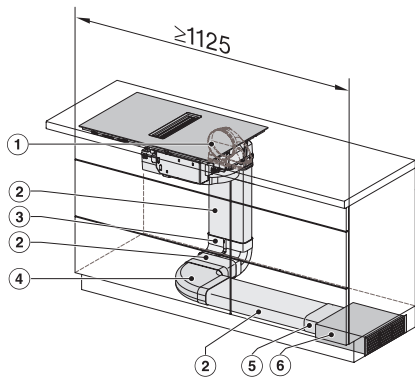
KMDA7272FL/FR, KMDA7473FL/FR – Installation variant 5 Circulating air – drawing

1) DFK-AK 90, 2) DFK-R 1000, 3) DFK-BV 90, 4) DFK-BH 90, 5) DFK-V, 6) DUU 1500, , The minimum width of the cabinet is 1350 mm.



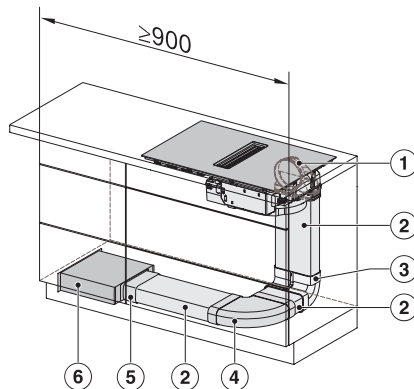
KMDA7272FL/FR, KMDA7473FL/FR – Installation variant 6 Circulating air – drawing

1) DFK-AK 90, 2) DFK-R 1000, 3) DFK-BV 90, 4) DFK-V, 5) DUU 1500, , The minimum depth of the cabinet is 935 mm.



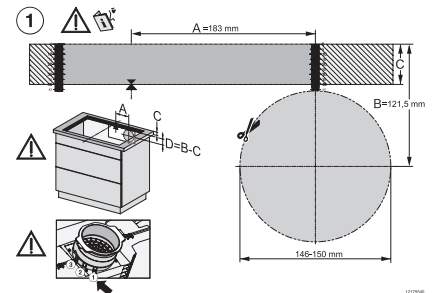
KMDA7272FL/FR, KMDA7473FL/FR – Installation variant 13 Circulating air – drawing

1) DFK-AK 90, 2) DFK-R 1000, 3) DFK-BV 90, 4) DFK-BH 90, 5) DFK-V, 6) DUU 1500, , The minimum width of the cabinet is 1125 mm.

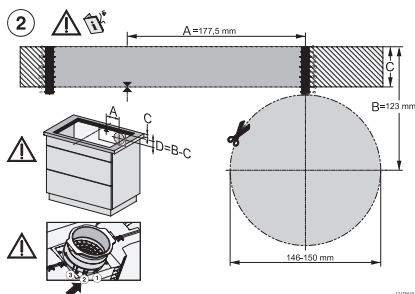


KMDA7272FL/FR, KMDA7473FL/FR – Installation variant 14 Circulating air – drawing

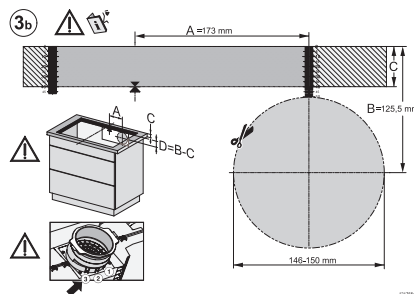
1) DFK-AK 90, 2) DFK-R 1000, 3) DFK-BV 90, 4) DFK-BH 90, 5) DFK-V, 6) DUU 1500, , The minimum width of the cabinet is 900 mm.



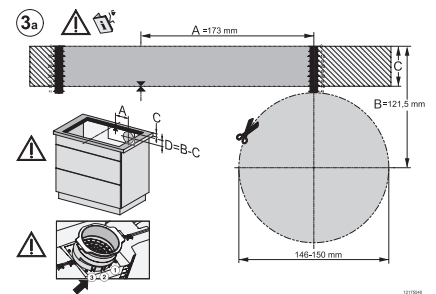
KMDA7272FL, KMDA7473FL – flush installation, drilling template, Installation depth 20 cm, Installation drawing



KMDA7272FL/FR, KMDA7473FL/FR – surface installation, drilling template, Installation drawing



KMDA7272FL, KMDA7473FL – flush installation, drilling template, Installation depth 21 cm, Installation drawing



KMDA7272FL/FR, KMDA7473FL/FR – surface installation, 21 cm, drilling template, Installation drawing