

DGC 7860 HCX Pro

Handleless combination steam oven

for steam cooking, baking, roasting with wireless food probe + HydroClean.



- Large touch display with proximity sensor – M Touch + MotionReact
- Perfect results – DualSteam technology
- Crispy outside, succulent inside – combination cooking
- Miele@home – network-enabled WiFi appliance + Mix & Match
- Easy cleaning – HydroClean and stainless steel oven compartment

EAN: 4002516632818 / Material number: 12100900 / Old Material Number: 23786079D

| Construction type | |
|--|---------------|
| Appliance Colour | Graphite grey |
| Construction type and design | |
| Steam combination oven | • |
| ArtLine | • |
| Handleless | • |
| Convenience features | |
| Rapid heat-up | • |
| Pre-heating | • |
| External steam generation | • |
| Oxygen sensor | • |
| Individual humidity settings in combination cooking | • |
| Menu cooking without transfer of taste | • |
| Mix & Match | • |
| Food probe | Without cable |
| Automatic programmes with ability to make individual adjustments | • |
| Keeping warm | • |
| Crisp function | • |
| Operating modes | |
| Defrost | • |
| Automatic programmes | • |
| Country-specific automatic programmes | • |
| Combination cooking | • |
| Combination cooking with Fan plus | • |
| Combination cooking with Conventional heat | • |
| Combination cooking with grill large | • |
| Steam cooking | • |
| Sous-vide | • |
| Reheat | • |
| Roast with moisture | • |
| Grill operating modes | • |
| Grill | • |
| Economy grill | • |
| Fan plus | • |
| Intensive bake | • |
| Cake plus | • |
| Conventional heat | • |
| Top heat | • |
| Bottom heat | • |
| Fan grill | • |
| Eco hot air | • |
| Eco steam cooking | • |
| Plate warming | • |
| Special applications | • |
| User convenience | |
| Networking with Miele@home | • |
| Display | M Touch |
| MotionReact proximity sensor | • |
| MotionReact: light comes on when movement is detected | • |

DGC 7860 HCX Pro

Handleless combination steam oven

for steam cooking, baking, roasting with wireless food probe + HydroClean.



EAN: 4002516632818 / Material number: 12100900 / Old Material Number: 23786079D

| | |
|--|------|
| MotionReact: display comes on when movement is detected | • |
| MotionReact: audible signal is acknowledged when movement is detected | • |
| MotionReact: detection of cabinet fronts | • |
| SoftOpen | • |
| Touch2Open | • |
| MultiLingua | • |
| MyMiele | • |
| Help function | • |
| Motorised lift-up control panel with SoftClose | • |
| Quantity-independent cooking | • |
| Steam cooking on up to 4 levels at the same time | • |
| Automatic menu cooking | • |
| Steam reduction before end of programme | • |
| Polyphonic buzzers | • |
| Time of day display | • |
| Date display | • |
| Minute minder | • |
| Programmable start of cooking duration | • |
| Programmable end of cooking duration | • |
| Programmable cooking duration | • |
| Actual temperature display | • |
| Target temperature display | • |
| Buzzer when desired temperature is reached | • |
| Recommended temperature | • |
| User programmes | • |
| Individual settings | • |
| Efficiency and sustainability | |
| Energy efficiency class (A+++ – D) | A+ |
| Cleaning and care | |
| Stainless-steel oven compartment with linen structure | • |
| Hinged grill element | • |
| External steam generator | • |
| HydroClean | • |
| Maintenance programmes | • |
| Soak programme | • |
| Rinse programme | • |
| Oven compartment drying programme | • |
| Quick-release side racks | • |
| Removable stainless-steel side racks | • |
| Automatic descaling | • |
| CleanGlass door | • |
| Steam techn./water supply | |
| DualSteam | • |
| Steam generator power in kW | 3,30 |
| Fresh water container volume in l | 1,4 |
| Fresh water container behind motorised control panel | • |
| Condensate container behind motorised lift-up control panel with SoftClose | • |
| Drain filter | • |

DGC 7860 HCX Pro

Handleless combination steam oven

for steam cooking, baking, roasting with wireless food probe + HydroClean.

EAN: 4002516632818 / Material number: 12100900 / Old Material Number: 23786079D

| Safety | |
|--|-----------------|
| Appliance cooling system and touch-cool front | • |
| Safety switch-off | • |
| System lock | • |
| Vapour cooling system | • |
| Sensor lock | • |
| Technical data | |
| Oven compartment volume in l | 67 |
| No. of shelf levels | 4 |
| Numbered shelf levels | • |
| Door hinge | Bottom |
| Oven light | BrilliantLight |
| Oven mode temperatures min. in °C | 30 |
| Oven mode temperatures max. in °C | 230 |
| Steam-cooking mode temperatures min. in °C | 40 |
| Steam-cooking mode temperatures max. in °C | 100 |
| Niche width min. in mm | 560 |
| Niche width max. in mm | 568 |
| Niche height min. in mm | 590 |
| Niche height max. in mm | 595 |
| Niche depth in mm | 550 |
| Appliance dimensions (W x H x D) in mm | 595 x 596 x 567 |
| Appliance width in mm | 595 |
| Appliance height in mm | 596 |
| Appliance depth in mm | 567 |
| Weight in kg | 46,4 |
| Total rated load in kW | 3,45 |
| Voltage in V | 230 |
| Frequency in Hz | 50 |
| Fuse rating in A | 16 |
| Number of phases | 1 |
| Mains cable with plug | • |
| Length of supply lead in m | 2 |
| Replacing lamps | Service |
| Accessories included | |
| Universal tray with PerfectClean HUBB 71 | 1 |
| Baking and roasting rack with PerfectClean HBBR 71 | 1 |
| PerfectClean FlexiClip runners HFC 71 (pair) | 1 |
| Wireless food probe | 1 |
| Removable side runners (pair) | 1 |
| Perforated stainless-steel cooking containers | 2 |
| Solid stainless steel cooking containers | 1 |
| HydroClean cleaning agent | 1 |
| Descaling tablets | 2 |

DGC 7860 HCX Pro

Handleless combination steam oven

for steam cooking, baking, roasting with wireless food probe + HydroClean.



EAN: 4002516632818 / Material number: 12100900 / Old Material Number: 23786079D

Available display languages

Available display languages via MultiLingua

bahasa malaysia, dansk,
deutsch, english, español,
français, hrvatski, italiano,
magyar, nederlands,
norsk, polski, portugês,
русский, română,
slovenčina, slovenščina,
srpski, suomi, svenska,
türkçe, українська, čeština,
ελληνικά,

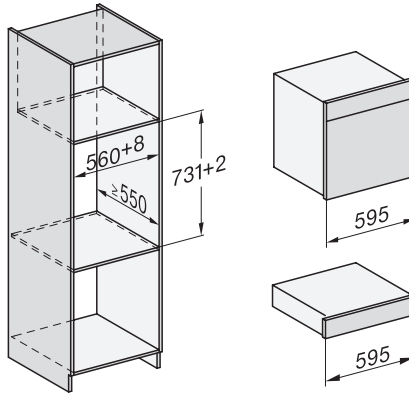
DGC 7860 HCX Pro

Handleless combination steam oven

for steam cooking, baking, roasting with wireless food probe + HydroClean.



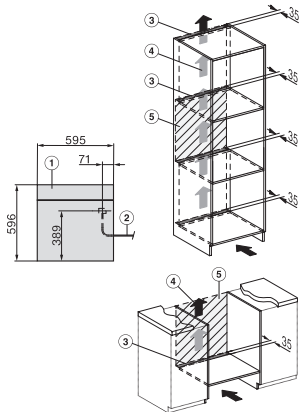
ESW7x20, DGC7x6xHCPro, DGC7x6xHCXPro installation drawings



ESW7x10, EVS7010, DGC7x6xHCPro, DGC7x6xHCXPro installation drawings

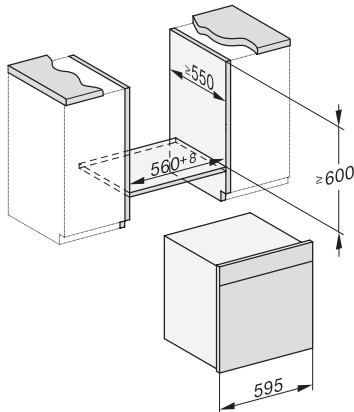


built-in DGC XXL, installation drawing



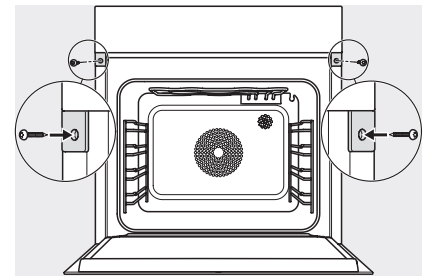
DGC7x60 connections and ventilation 60cm, installation drawing

- 1) Front view, 2) Mains connection cable, L=2.000 mm, 3) Ventilation cut min. 180 cm², 4) Ventilation and deaeration, 5) No connection in this area

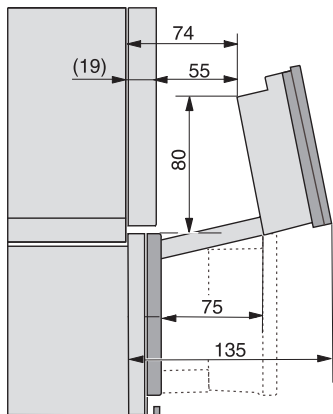


built-in DGC XXL build-under, installation drawing

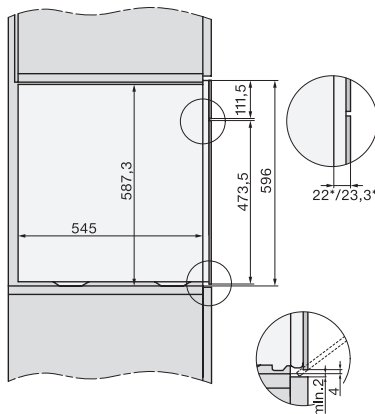
Worktop overhang ≤ 29 mm



screw joint DGC XXL, installation drawing



DGC7x4x swivel range of the aperture, installation drawings



side view DGC XXL, installation drawings