

KFN 4395 DD

Freestanding fridge-freezer

with DailyFresh, NoFrost and ComfortClean for great convenience.



- Spacious drawer with moisture control – DailyFresh
- No icing up of food and no need to defrost thanks to NoFrost
- Uniform temperature distribution inside the appliance – DynaCool
- Two separate air circuits for optimum cooling – DuplexCool
- Dishwasher-safe door shelves – ComfortClean

EAN: 4002516570301 / Material number: 12057030 / Old Material Number: 38439541GB

Appliance category	
Fridge-freezer	•
Construction type	
Freestanding appliance	•
Door hinge	right
Convertible door hinging	•
Design	
Casing colour	Silver
Front colour	Stainless look
Refrigeration section lighting	LED
User convenience	
Freshness system	DailyFresh
ComfortClean	•
DynaCool	•
NoFrost	•
DuplexCool	•
XL interior	•
VarioRoom	•
Concealed door opener	SideOpen
Control system	
Operating concept	SensorTouch
Precise adjustment	Fridge and freezer temperature
Fridge compartment can be switched off	Yes
Independent temperature regulation of fridge and freezer zones	Yes
Automatic SuperCool	•
SuperFreeze	•
No. of temperature zones	2
Sabbath mode	•
Party mode	•
Holiday mode	•
Fridge/Fridge section	
No. of shelves	5
No. of crisper drawers	1
Number of inner door racks for tinned food	3
Door rack for bottles	1
Door shelves	4
Freezer/Freezer section	
Number of freezer drawers	3
Efficiency and sustainability	
Energy efficiency class (A–G)	D
Annual energy consumption in kWh	202,60
Energy consumption in 24 h in kWh	0,55
Safety	
Lock function	•
Acoustic door alarm	•
Acoustic temperature alarm	•
Optical door alarm	•
Optical temperature alarm	•

KFN 4395 DD

Freestanding fridge-freezer

with DailyFresh, NoFrost and ComfortClean for great convenience.



EAN: 4002516570301 / Material number: 12057030 / Old Material Number: 38439541GB

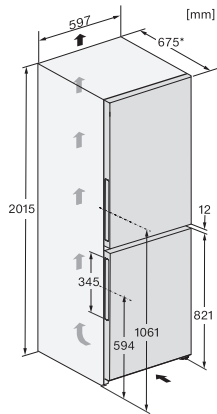
Power cut indication for freezer section

•

Technical data

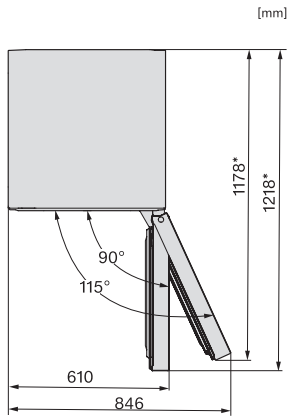
Appliance width in mm	600
Appliance height in mm	2015
Appliance depth in mm	675
Weight in kg	74,1
Climate class	SN-T
Refrigerator compartment in l	268
4* freezer compartment in l	103
Total usable capacity in l	371
Storage time in case of fault in h	20
Freezer capacity in kg/24 h	10,00
Acoustic airborne noise emission class (A–D)	C
Sound emissions in dB(A) re 1 pW	36
Current consumption (mA)	1400
Voltage in V	220-240
Fuse rating in A	13
Number of phases	1
Frequency in Hz	50-60
Length of supply lead in m	2,0
Replacing lamps	Service
Accessories included	
Egg tray	•
Ice cube tray	•

KFN 4395 DD
 Freestanding fridge-freezer
 with DailyFresh, NoFrost and ComfortClean for great convenience.



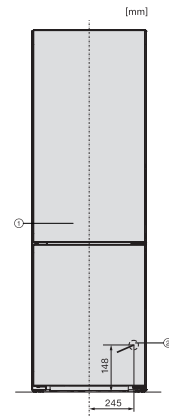
KFN4395DD, KFN4395CD, KFN4397CD, installation sketch (footnote*) (installation drawings)

*To achieve the declared energy consumption, the spacers supplied with the unit must be used. This increases the depth of the unit by approx. 15 mm. The unit is fully functional without the use of the spacers, but has a slightly higher energy consumption.



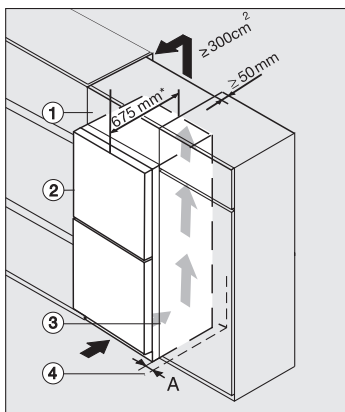
KFN4375DD, KFN4395DD, KFN4393FD, KFN4393D, KFN4377DD, KS4383ED, K4373ED, FN4312E, top view (footnote*)

*To achieve the declared energy consumption, the spacers supplied with the unit must be used. This increases the depth of the unit by approx. 15 mm. The unit is fully functional without the use of the spacers, but has a slightly higher energy consumption.



KFN4395DD, KFN4393FD, KFN4393DD, KFN4795DD bb, KFN4795CD bb, KFN4898CD, installation (footnote*)

*1. View from the front, 2. Mains connection cable, L = 2000 mm



Integrating freestanding refrigeration appliance in a run of kitchen units, edt/cs, ws, bst, el (*footnote)

1. Top box, 2. Refrigeration appliance, door depth = 75 mm, 3. Housing unit, 4. Wall, A = 25 mm (with recessed grip)/60 mm (with handle), * The appliance depth is increased by approx. 15 mm for refrigeration appliances with wall spacers fitted.