

KS 4383 ED

Freestanding refrigerator

with DailyFresh and DynaCool for a convenient side-by-side combination.



- Spacious drawer with moisture control – DailyFresh
- Uniform temperature distribution inside the appliance – DynaCool
- Dishwasher-safe door shelves – ComfortClean
- Handle-less design thanks to an integrated handle design
- More space and convenience thanks to XL interior cabinet

EAN: 4002516570486 / Material number: 12056960 / Old Material Number: 36438351GB

Appliance category	
Refrigerator	•
Construction type	
Freestanding appliance	•
Door hinge	right
Convertible door hinging	•
Side-by-side enabled	•
Design	
Casing colour	Silver
Front colour	Stainless look
Refrigeration section lighting	LED
User convenience	
Freshness system	DailyFresh
ComfortClean	•
DynaCool	•
XL interior	•
Concealed door opener	SideOpen
Control system	
Operating concept	SensorTouch
Precise adjustment	Fridge temperature
Independent temperature regulation of fridge and freezer zones	No
Automatic SuperCool	•
No. of temperature zones	1
Sabbath mode	•
Party mode	•
Holiday mode	•
Fridge/Fridge section	
No. of shelves	7
No. of crisper drawers	2
Number of inner door racks for tinned food	3
Door rack for bottles	2
Door shelves	5
Efficiency and sustainability	
Energy efficiency class (A–G)	E
Annual energy consumption in kWh	122,60
Energy consumption in 24 h in kWh	0,33
Safety	
Lock function	•
Acoustic door alarm	•
Optical door alarm	•
Technical data	
Appliance width in mm	600
Appliance height in mm	1855
Appliance depth in mm	675
Weight in kg	68,1
Climate class	SN-T
Refrigerator compartment in l	399
4* freezer compartment in l	0
Total usable capacity in l	399

KS 4383 ED

Freestanding refrigerator

with DailyFresh and DynaCool for a convenient side-by-side combination.



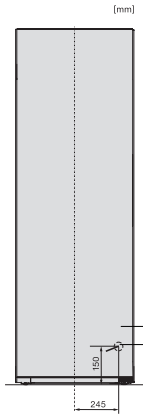
EAN: 4002516570486 / Material number: 12056960 / Old Material Number: 36438351GB

Acoustic airborne noise emission class (A–D)	C
Sound emissions in dB(A) re 1 pW	38
Current consumption (mA)	1200
Voltage in V	220-240
Fuse rating in A	13
Number of phases	1
Frequency in Hz	50
Length of supply lead in m	2,0
Replacing lamps	Service
Accessories included	
Egg tray	•

KS 4383 ED

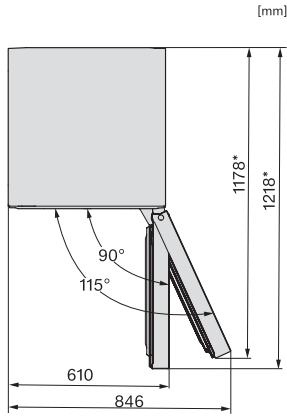
Freestanding refrigerator

with DailyFresh and DynaCool for a convenient side-by-side combination.



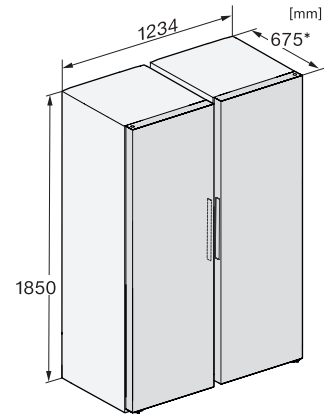
K4373ED, KS4383ED, KS4383 C ED, KS4783 bb Blackboard, KS4887DD, installation (footnote*) (installation drawings)

*1. View from the front, 2. Mains connection cable, L = 2000 mm



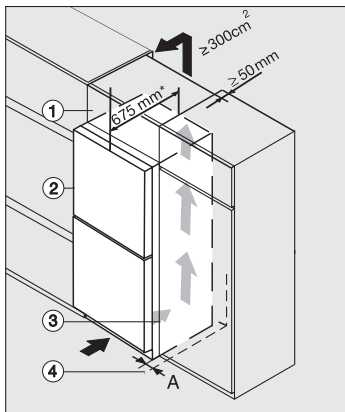
KFN4375DD, KFN4395DD, KFN4393FD, KFN4393D, KFN4377DD, KS4383ED, K4373ED, FN4312E, top view (footnote*)

*To achieve the declared energy consumption, the spacers supplied with the unit must be used. This increases the depth of the unit by approx. 15 mm. The unit is fully functional without the use of the spacers, but has a slightly higher energy consumption.



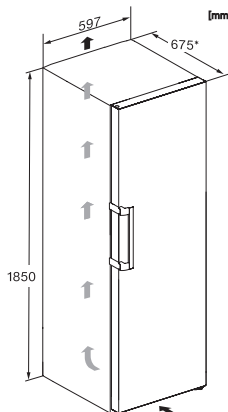
KS4383ED, KS4887DD, FNS4382D, FNS4382E, FNS4882D, installation sketch, Side-by-Side (footnote*) (installation drawings)

*To achieve the declared energy consumption, the spacers supplied with the unit must be used. This increases the depth of the unit by approx. 15 mm. The unit is fully functional without the use of the spacers, but has a slightly higher energy consumption.



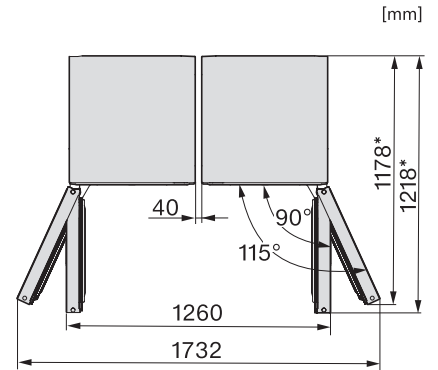
Integrating freestanding refrigeration appliance in a run of kitchen units, edt/cs, ws, bst, el (footnote)

1. Top box, 2. Refrigeration appliance, door depth = 75 mm, 3. Housing unit, 4. Wall, A = 25 mm (with recessed grip)/60 mm (with handle), * The appliance depth is increased by approx. 15 mm for refrigeration appliances with wall spacers fitted.



KS4383DD N, KS4383ED N, Nordic, installation sketch (footnote*) (installation drawings)

*To achieve the declared energy consumption, the spacers supplied with the unit must be used. This increases the depth of the unit by approx. 15 mm. The unit is fully functional without the use of the spacers, but has a slightly higher energy consumption.



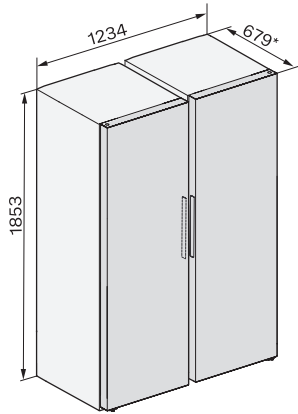
KS4383DD, KS4383ED, FNS4382E, FNS4382D, top view, Side-by-Side (footnote*) (installation drawings)

*To achieve the declared energy consumption, the spacers supplied with the unit must be used. This increases the depth of the unit by approx. 15 mm. The unit is fully functional without the use of the spacers, but has a slightly higher energy consumption.

KS 4383 ED

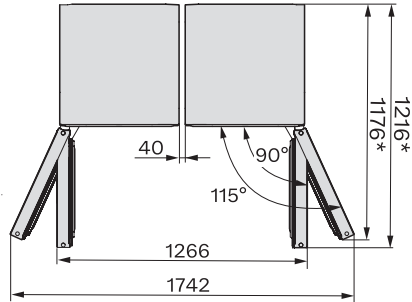
Freestanding refrigerator

with DailyFresh and DynaCool for a convenient side-by-side combination.



KWTS4785F, KS4887DD, KWTS4785F, KS4383ED, KWTS4785F, KWNS4784DE, KWNS4784DE, KS4887DD, installation sketch (*footnote)

*To achieve the declared energy consumption, the spacers supplied with the unit must be used. This increases the depth of the unit by approx. 15 mm. The unit is fully functional without the use of the spacers, but has a slightly higher energy consumption.



KWTS4785F, KS4887DD, KWTS4785F, KS4383ED, KWTS4785F, KWNS4784DE, KWNS4784DE, KS4887DD, top view (*footnote)

*To achieve the declared energy consumption, the spacers supplied with the unit must be used. This increases the depth of the unit by approx. 15 mm. The unit is fully functional without the use of the spacers, but has a slightly higher energy consumption.