

KFN 4796 CD

Freestanding fridge-freezer

with DailyFresh and NoFrost in 75 cm width for plenty of storage space.



EAN: 4002516517474 / Material number: 11954070 / Old Material Number: 38479630EU1

<b>Appliance category</b>	
Fridge-freezer	•
<b>Construction type</b>	
Freestanding appliance	•
Door hinge	right
Convertible door hinging	•
<b>Design</b>	
Casing colour	Silver
Front colour	Stainless steel/CleanSteel
Refrigeration section lighting	LED
<b>User convenience</b>	
Networking with Miele@home	•
Freshness system	DailyFresh
ComfortClean	•
DynaCool	•
NoFrost	•
DuplexCool	•
XL interior	•
VarioRoom	•
SoftClose	•
Concealed door opener	EasyOpen lever handle
<b>Control system</b>	
Operating concept	SensorTouch
Precise adjustment	Fridge and freezer temperature
Fridge compartment can be switched off	Yes
Independent temperature regulation of fridge and freezer zones	Yes
Automatic SuperCool	•
SuperFreeze	•
No. of temperature zones	2
Sabbath mode	•
Party mode	•
Holiday mode	•
<b>Fridge/Fridge section</b>	
No. of shelves	4
including number of split shelves (FlexiBoard)	1
Chrome-plated metal bottle rack	•
No. of crisper drawers	1
Number of inner door racks for tinned food	2
Door rack for bottles	2
Door shelves	4
<b>Freezer/Freezer section</b>	
Number of freezer drawers	3
<b>Efficiency and sustainability</b>	
Energy efficiency class (A–G)	C
Annual energy consumption in kWh	184,69
Energy consumption in 24 h in kWh	0,50
<b>Safety</b>	
Lock function	•

KFN 4796 CD

Freestanding fridge-freezer

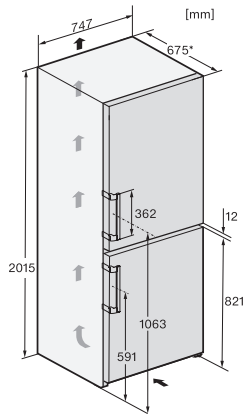
with DailyFresh and NoFrost in 75 cm width for plenty of storage space.



EAN: 4002516517474 / Material number: 11954070 / Old Material Number: 38479630EU1

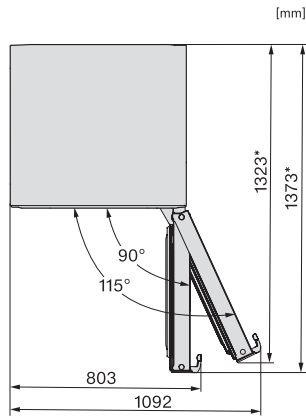
Acoustic door alarm	•
Acoustic temperature alarm	•
Optical door alarm	•
Optical temperature alarm	•
Power cut indication for freezer section	•
<b>Technical data</b>	
Appliance width in mm	747
Appliance height in mm	2015
Appliance depth in mm	675
Weight in kg	96,2
Door hinge technology	Fixed door
Climate class	SN-T
Refrigerator compartment in l	348
4* freezer compartment in l	138
Total usable capacity in l	485
Storage time in case of fault in h	20
Freezer capacity in kg/24 h	10,00
Acoustic airborne noise emission class (A-D)	B
Sound emissions in dB(A) re 1 pW	34
Current consumption (mA)	1400
Voltage in V	220-240
Fuse rating in A	10
Number of phases	1
Frequency in Hz	50
Length of supply lead in m	2,0
<b>Accessories included</b>	
Egg tray	•
Ice cube tray	•

KFN 4796 CD  
 Freestanding fridge-freezer  
 with DailyFresh and NoFrost in 75 cm width for plenty of storage space.



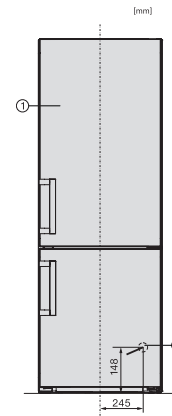
KFN4796AD, KFN4796CD, KFN4796ED, installation sketch (footnote\*) (installation drawings)

\*To achieve the declared energy consumption, the spacers supplied with the unit must be used. This increases the depth of the unit by approx. 15 mm. The unit is fully functional without the use of the spacers, but has a slightly higher energy consumption.



KFN4776ED, KFN4776ED C, FN4796AD, KFN4796CD, top view (\*footnote) (installation drawings)

\*To achieve the declared energy consumption, the spacers supplied with the unit must be used. This increases the depth of the unit by approx. 15 mm. The unit is fully functional without the use of the spacers, but has a slightly higher energy consumption.



KFN4796AD, KFN4796CD, installation (footnote\*) (installation drawings)

\*1. View from the front, 2. Mains connection cable, L = 2000 mm