

KFN 4795 DD

Freestanding fridge-freezer

with DailyFresh, NoFrost, DynaCool and added convenience.



- Spacious drawer with moisture control – DailyFresh
- No icing up of food and no need to defrost thanks to NoFrost
- Uniform temperature distribution inside the appliance – DynaCool
- Two separate air circuits for optimum cooling – DuplexCool
- Soft closing of the door with SoftClose

EAN: 4002516516644 / Material number: 11951810 / Old Material Number: 38479543EU1

<b>Appliance category</b>	
Fridge-freezer	•
<b>Construction type</b>	
Freestanding appliance	•
Door hinge	right
Convertible door hinging	•
<b>Design</b>	
Casing colour	black
Front colour	BlackSteel door
Refrigeration section lighting	LED
<b>User convenience</b>	
Networking with Miele@home	•
Freshness system	DailyFresh
ComfortClean	•
DynaCool	•
NoFrost	•
DuplexCool	•
XL interior	•
VarioRoom	•
SoftClose	•
Concealed door opener	EasyOpen lever handle
<b>Control system</b>	
Operating concept	SensorTouch
Precise adjustment	Fridge and freezer temperature
Fridge compartment can be switched off	Yes
Independent temperature regulation of fridge and freezer zones	Yes
Automatic SuperCool	•
SuperFreeze	•
No. of temperature zones	2
Sabbath mode	•
Party mode	•
Holiday mode	•
<b>Fridge/Fridge section</b>	
No. of shelves	5
including number of split shelves (FlexiBoard)	1
Chrome-plated metal bottle rack	•
No. of crisper drawers	1
Number of inner door racks for tinned food	3
Door rack for bottles	1
Door shelves	4
<b>Freezer/Freezer section</b>	
Number of freezer drawers	3
<b>Efficiency and sustainability</b>	
Energy efficiency class (A–G)	D
Annual energy consumption in kWh	202,60
Energy consumption in 24 h in kWh	0,55
<b>Safety</b>	
Lock function	•

KFN 4795 DD

Freestanding fridge-freezer

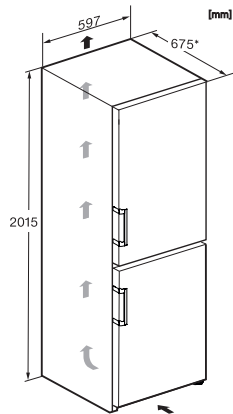
with DailyFresh, NoFrost, DynaCool and added convenience.



EAN: 4002516516644 / Material number: 11951810 / Old Material Number: 38479543EU1

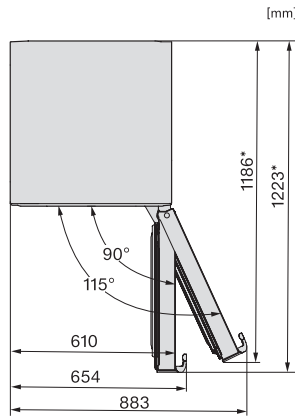
Acoustic door alarm	•
Acoustic temperature alarm	•
Optical door alarm	•
Optical temperature alarm	•
Power cut indication for freezer section	•
<b>Technical data</b>	
Appliance width in mm	600
Appliance height in mm	2015
Appliance depth in mm	675
Weight in kg	76,6
Climate class	SN-T
Refrigerator compartment in l	270
4* freezer compartment in l	103
Total usable capacity in l	372
Storage time in case of fault in h	20
Freezer capacity in kg/24 h	10,00
Acoustic airborne noise emission class (A-D)	B
Sound emissions in dB(A) re 1 pW	35
Current consumption (mA)	1400
Voltage in V	220-240
Fuse rating in A	10
Number of phases	1
Frequency in Hz	50-60
Length of supply lead in m	2,0
Replacing lamps	Service
<b>Accessories included</b>	
Egg tray	•
Ice cube tray	•

KFN 4795 DD  
 Freestanding fridge-freezer  
 with DailyFresh, NoFrost, DynaCool and added convenience.



KFN4797DD, KFN4797CD, KFN4799DDE, KFN4795DD, KFN4795AD, KFN4795CD, KFN4795BD, installation sketch (footnote\*)

\*To achieve the declared energy consumption, the spacers supplied with the unit must be used. This increases the depth of the unit by approx. 15 mm. The unit is fully functional without the use of the spacers, but has a slightly higher energy consumption.



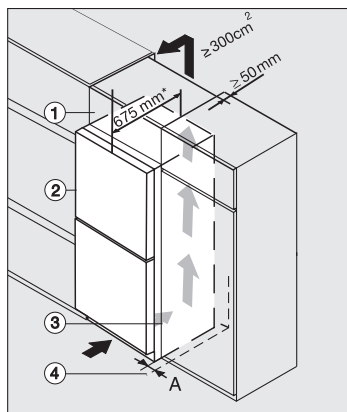
KFN4777CD, KFN4797DD, KFN4797CD, KFN4799DDE, KFN4795DD, KFN4795CD, KFN4795BD, top view (footnote\*)

\*To achieve the declared energy consumption, the spacers supplied with the unit must be used. This increases the depth of the unit by approx. 15 mm. The unit is fully functional without the use of the spacers, but has a slightly higher energy consumption.



KFN4797DD, KFN4797CD, KFN4795AD, KFN4795DD, installation (footnote\*) (installation drawings)

\*1. View from the front, 2. Mains connection cable, L = 2000 mm



Integrating freestanding refrigeration appliance in a run of kitchen units, edt/cs, ws, bst, el (\*footnote)

1. Top box, 2. Refrigeration appliance, door depth = 75 mm, 3. Housing unit, 4. Wall, A = 25 mm (with recessed grip)/60 mm (with handle), \* The appliance depth is increased by approx. 15 mm for refrigeration appliances with wall spacers fitted.