

FNS 37405 i
 Built-in freezer
 for perfect side-by-side combination in a 178 cm niche.



- No icing up of food and no need to defrost thanks to Frost free
- Optimum and maintenance-free LED lighting in compartment
- Soft-closing doors thanks to SoftClose
- Freezer compartment can be increased in size with-VarioRoom
- Rapid and gentle freezing of food – Super freeze

EAN: 4002516439554 / Material number: 11784880 / Old Material Number: 37374050EU1

Appliance category	
Freezer	•
Construction type	
Built-in appliance	•
Integrated appliance	•
Door hinge	Left
Convertible door hinging	•
Side-by-side enabled	•
Design	
Freezer compartment lighting	LED
User convenience	
Networking with Miele@home	•
Accessories required	XKS 3130 W
NoFrost	•
VarioRoom	•
SoftClose	•
Control system	
Operating concept	TouchControl
Independent temperature regulation of fridge and freezer zones	No
SuperFreeze	•
No. of temperature zones	1
Sabbath mode	•
Freezer/Freezer section	
Number of freezer drawers	8
of which on runners	6
Efficiency and sustainability	
Energy efficiency class (A–G)	E
Annual energy consumption in kWh	238,87
Energy consumption in 24 h in kWh	0,65
Safety	
Lock function	•
Acoustic door alarm	•
Acoustic temperature alarm	•
Optical door alarm	•
Optical temperature alarm	•
Power cut indication for freezer section	•
Technical data	
Niche width in mm min.	560
Niche width in mm max.	570
Niche height in mm min.	1772
Niche height in mm max.	1788
Niche depth in mm	550
Appliance width in mm	559
Appliance height in mm	1770
Appliance depth in mm	544
Weight in kg	71,7
Door hinge technology	Fixed door
Max. door front weight – freezer, in kg	26
Climate class	SN-T

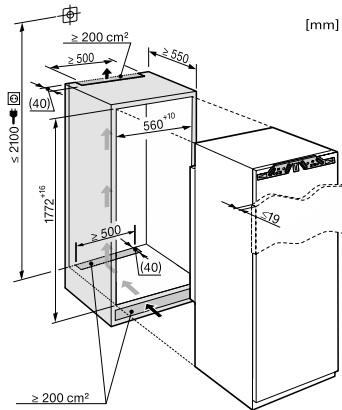
FNS 37405 i
 Built-in freezer
 for perfect side-by-side combination in a 178 cm niche.



EAN: 4002516439554 / Material number: 11784880 / Old Material Number: 37374050EU1

4* freezer compartment in l	217
Total usable capacity in l	217
Storage time in case of fault in h	14
Freezer capacity in kg/24 h	14,00
Acoustic airborne noise emission class (A–D)	C
Sound emissions in dB(A) re 1 pW	37
Current consumption (mA)	1300
Voltage in V	220-240
Fuse rating in A	10
Number of phases	1
Frequency in Hz	50
Length of supply lead in m	2,1
Replacing lamps	Service
Accessories included	
Ice packs	•
Ice cube tray	•

FNS 37405 i
Built-in freezer
for perfect side-by-side combination in a 178 cm niche.



K37422iD, K37222iDF, K37442iDF, K37473iD, K37282iDF, K37682iDF, K37683iDF, K37272iD, K37472iD, KS37422iD, FN37402i, FNS37402i