

WWD320 WCS PWash&8kg
W1 front-loader washing machine
with QuickPowerWash from 0 to clean in 49 minutes.



- QuickPowerWash ensures fast, efficient results in just 49 minutes
- Our honeycomb drum ensures that laundry stays in perfect condition
- The Pre-ironing extra reduces creasing and saves up to 50 % time and effort#
- Exclusive CapDosing range for different textiles and stains
- Economical, powerful and no wear and tear – the ProfiEco Motor

EAN: 4002516403609 / Material number: 11684650 / Old Material Number: 11WD3201ZA

Construction type	
Suitable for stacking	•
Side-by-side	•
Slot-in	•
Door hinge	right
Model	
Product brand	W1 White Edition
Front-loader	•
Spinning	
Max. spin speed	1400
Rinse hold	•
Without spin function	•
Design	
Appliance colour	Lotus white
Control panel colour	Lotus white
Door design	Obsidian black with white ring
Rotary selector colour	Lotus White
Control panel version	5° inclined
Control type	Rotary control
Display	DirectSensor yellow, 7 segment
Cleaning performance	
Innovative PowerWash technology	•
CapDosing portioned dispensing	•
Gentle laundry care	
Honeycomb drum	•
Load in kg	8,0
User convenience	
Delay start up to 24 hours	•
Time left display	•
AutoClean detergent drawer	•
AddLoad	•
Efficiency and sustainability	
Low temperature wash "Cold" and "20 °C"	•
Automatic load control	•
Foam sensing	•
ProfiEco motor	•
Wash programmes	
QuickPowerWash	•
Cottons (coloureds)	•
Minimum iron	•
Delicates	•
Shirts	•
Woolens (hand-washable)	•
Express 20	•
Proofing	•
Cottons arrow	•
Separate rinse/Starch	•
Drain / Spin	•

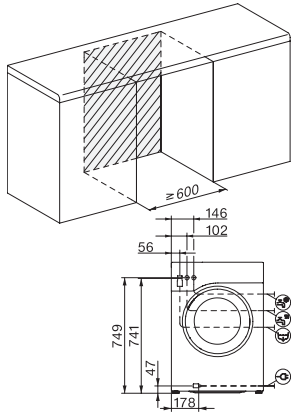
WWD320 WCS PWash&8kg
 W1 front-loader washing machine
 with QuickPowerWash from 0 to clean in 49 minutes.



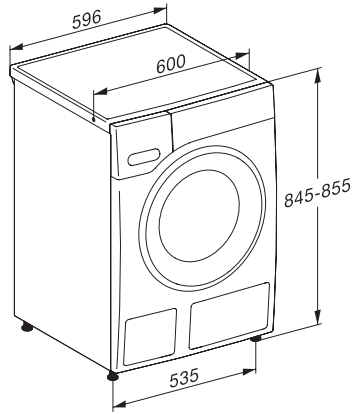
EAN: 4002516403609 / Material number: 11684650 / Old Material Number: 11WD3201ZA

ECO 40-60	•
Washing extras	
Short	•
Pre-wash	•
Water plus	•
Additional rinse cycle	•
Pre-ironing with steam	•
Buzzer	•
Quality	
Counterweights made of cast iron	•
Safety	
Water protection system	Watercontrol-System
Safety lock	•
PIN-Code	•
Optical interface	•
Technical data	
Dimensions in mm (width)	596
Dimensions in mm (height)	850
Dimensions in mm (depth)	643
Appliance depth in mm with opened door	1077
Weight in kg	93
Total rated load in kW	2,10-2,40
Voltage in V	220-240
Fuse rating in A	10
Frequency in Hz	50
Length of supply lead in m	2

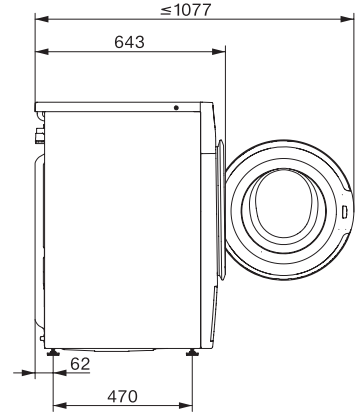
WWD320 WCS PWash&8kg
W1 front-loader washing machine
with QuickPowerWash from 0 to clean in 49 minutes.



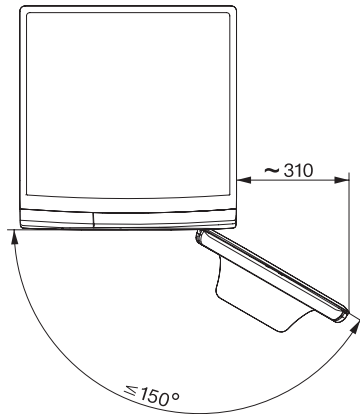
W1 drawing, facia 5 degree, measures in mm



W1 drawing, facia 5 degree, measures in mm



W1 drawing, facia 5 degree, measures in mm



W1 drawing, facia 5 degree, measures in mm