

WTR860WPM PWash&TDos 8/5kg

WT1 washer-dryer:

with TwinDos and QuickPower – ready-to-wear clothes at the touch of a button.



- Precise and automatic detergent dispensing with TwinDos®
- Washing and drying in the shortest of times – QuickPower
- Your favourite items are ready in < 1 hour – Single Wash&Dry
- M Touch – simple control by tapping or swiping

EAN: 4002516404583 / Material number: 11679880 / Old Material Number: 11TR8604ZA

Construction type	
Suitable for stacking	•
Side-by-side	•
Slot-in	•
Can be built-under	•
Door hinge	right
Model	
Front-loader	•
Washing machine with TD fact.	
Continuous washing and drying cycle	•
Electronic residual moisture sensing	•
Condenser dryers with water cooling	•
Thermospin	•
Spinning	
Max. spin speed	1600
Rinse hold	•
Without spin function	•
Design	
Appliance colour	Lotus white
Control panel colour	Lotus white
Door design	Chrome
Control panel version	Straight
Control type	Touch control
Display	MTouch
Cleaning performance	
PowerWash	•
TwinDos automatic detergent dispensing	•
CapDosing portioned dispensing	•
Stains option	•
Certified virus hygiene	•
Gentle laundry care	
Honeycomb drum	•
Load in kg for washing	8,0
Load in kg when drying	5,0
PerfectCare technology	•
User convenience	
Networking with Miele@home	•
Delay start up to 24 hours	•
Time left display	•
Time of day display	•
Programme sequence indicator	in display
Favourite programmes	•
Automatic rinse out fluff	•
Drum lighting	LED
MultiLingua	•
AutoClean detergent drawer	•
AddLoad	•
Efficiency and sustainability	
Low temperature wash "Cold" and "20 °C"	•
Automatic load control	•

WTR860WPM PWash&TDos 8/5kg

WT1 washer-dryer:

with TwinDos and QuickPower – ready-to-wear clothes at the touch of a button.



EAN: 4002516404583 / Material number: 11679880 / Old Material Number: 11TR8604ZA

Flow meter	•
Foam sensing	•
ProfiEco motor	•
Wash programmes	
QuickPower	•
Automatic	•
Cottons (coloureds)	•
Minimum iron	•
Shirts	•
Silk (hand-washable)	•
Woollens (hand-washable)	•
Express	•
Dark garments	•
Denim	•
Outerwear	•
Proofing	•
Sportswear	•
Trainers	•
Pillows	•
Down	•
Curtains	•
Cottons hygiene	•
Clean machine	•
Cottons arrow	•
First wash	•
Starch	•
ECO 40-60	•
Drying programmes	
QuickPower	•
Automatic	•
Cottons (coloureds)	•
Cottons arrow	•
Minimum iron	•
Delicates	•
Shirts	•
Silk	•
Woollens	•
Express	•
Dark garments	•
Denim	•
Outerwear	•
Proofing	•
Sportswear	•
Trainers	•
Standard pillows	•
Cottons hygiene	•
First wash	•
Cool air	•
Warm air	•
Freshen up	•
Steam care	•

WTR860WPM PWash&TDos 8/5kg

WT1 washer-dryer:

with TwinDos and QuickPower – ready-to-wear clothes at the touch of a button.



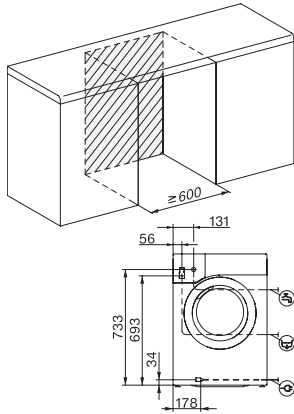
EAN: 4002516404583 / Material number: 11679880 / Old Material Number: 11TR8604ZA

Drying extras	
Anti-crease	•
Washing extras	
Short	•
Soak	•
Pre-wash	•
Water plus	•
Additional rinse cycle	•
Pre-ironing with steam	•
Buzzer	•
AllergoWash	•
Single	•
Quality	
Counterweights made of cast iron	•
Safety	
Water protection system	Waterproof-Metal
PIN-Code	•
Optical interface	•
Technical data	
Dimensions in mm (width)	596
Dimensions in mm (height)	850
Dimensions in mm (depth)	637
Appliance depth in mm with opened door	1055
Weight in kg	98
Total rated load in kW	2,10-2,40
Voltage in V	220-240
Fuse rating in A	10
Frequency in Hz	50
Length of supply lead in m	2
Accessories included	
3 Caps	•
UltraPhase 1 + 2	•
Voucher for 5 Miele UltraPhase cartridges	•
Available display languages	
Available display languages via MultiLingua	bahasa malaysia, dansk, deutsch, english (AU), english (CA), english (GB), english (US), español, français (CA), français (FR), hrvatski, italiano, magyar, nederlands, norsk, polski, portuguese, русский, română, slovenčina, slovenščina, srpski, suomi, svenska, türkçe, українська, čeština, ελληνικά,

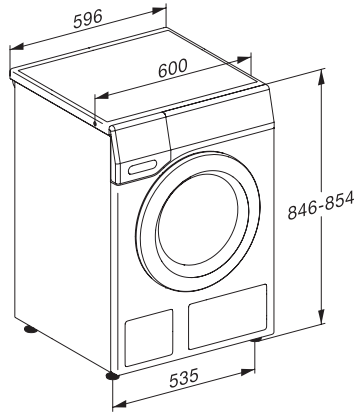
WTR860WPM PWash&TDos 8/5kg

WT1 washer-dryer:

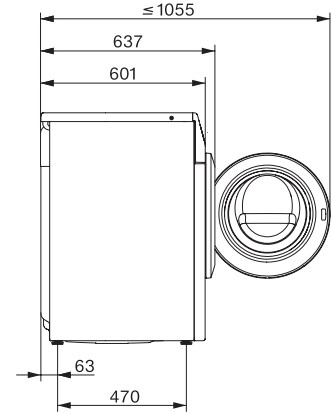
with TwinDos and QuickPower – ready-to-wear clothes at the touch of a button.



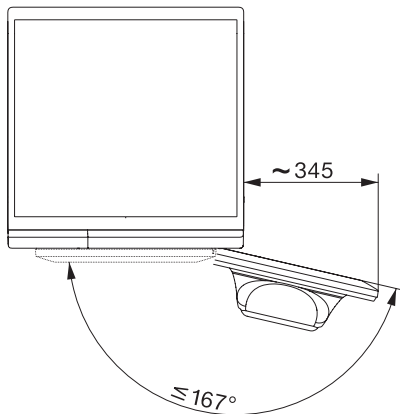
WT1 8/5 kg, installation drawing, slanted facia or straight facia, measures in mm



WT1 8/5 kg, drawing, slanted facia or straight facia, measures in mm



WT1 8/5 kg, drawing, slanted facia or straight facia, measures in mm



WT1 8/5 kg, drawing, slanted facia or straight facia, measures in mm