

G 7100 SC

Freestanding dishwashers

with 3D MultiFlex tray for maximum convenience.



- Perfect results in less than one hour – QuickPowerWash
- Everything completely dry – AutoOpen drying
- Very easy door opening and closing – ComfortClose
- Versatile and secure – ExtraComfort basket design

EAN: 4002516282815 / Material number: 11433780 / Old Material Number: 21710016ZA

| | |
|--------------------------------------|---------------------------|
| Model | |
| Freestanding dishwasher | • |
| 60 cm dishwasher | • |
| Design | |
| Control panel colour | Brilliant White |
| Control panel version | Straight fascia |
| Control type | Programme selector button |
| Display | 1-line text display |
| Display colour | White |
| Multilingua | • |
| Convenience | |
| Door closing aid | ComfortClose |
| Operating noise dB(A) re 1 pW | 44 |
| Time left display | • |
| Delay start up to 24 hours | • |
| In-operation indicator light | Display |
| Display language selection | • |
| Efficiency and sustainability | |
| Power rating in standby mode in W | 0,30 |
| EcoFeedback | • |
| EcoPower Technology | • |
| Proven hygiene | • |
| Hot water connection | • |
| Half load | • |
| Quality of results | |
| Fresh water dishwasher | • |
| SensorDry | • |
| Recirculation Turbothermic drying | • |
| Active condensation drying | • |
| BrilliantGlassCare | • |
| Wash programmes | |
| QuickPowerWash | • |
| ECO | • |
| Automatic | • |
| Intensive 75 °C | • |
| PowerWash | • |
| Gentle | • |
| ExtraQuiet 40 dB(A) | • |
| Appliance care | • |
| Dishwashing options | |
| IntenseZone | • |
| Express | • |
| Extra Clean | • |
| Extra dry | • |
| Basket design | |
| Cutlery loading | 3D MultiFlex tray |
| FlexCare glass holder | 2 |
| FlexCare cup rack | 1 |
| Basket design | ExtraComfort |

G 7100 SC
 Freestanding dishwashers
 with 3D MultiFlex tray for maximum convenience.

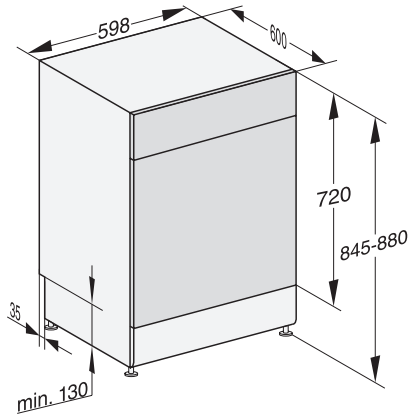


EAN: 4002516282815 / Material number: 11433780 / Old Material Number: 21710016ZA

| Safety | |
|--|--|
| Waterproof system | • |
| Filter indicator light | • |
| Safety lock | • |
| Technical data | |
| Niche width minimal in mm | 600 |
| Niche width max in mm | 600 |
| Niche height minimal in mm | 845 |
| Niche height maximal in mm | 880 |
| Niche depth in mm | 600 |
| Appliance width in mm | 598 |
| Appliance height in mm | 845 |
| Appliance depth in mm | 600 |
| Depth with door open in cm | 119,5 |
| Net weight in kg | 56,0 |
| Total rated load in kW | 2,00 |
| Voltage in V | 230 |
| Fuse rating in A | 10 |
| Number of phases | 1 |
| Electrical frequency standard | 50 |
| Length of water inlet hose in cm | 1,50 |
| Length of water drain hose in cm | 1,50 |
| Length of supply lead in m | 1,70 |
| Available display languages | |
| Available display languages via MultiLingua | deutsch, english, español, français, italiano, nederlands, português, türkçe |
| Accessories included | |
| 1 x UltraTabs box (20 tabs) | • |
| Voucher for 1 x box of UltraTabs (20 tabs) or 9 boxes at a reduced price | • |

G 7100 SC

Freestanding dishwashers
with 3D MultiFlex tray for maximum convenience.



G7000, free standing dishwasher, 60cm (installation drawing)