

KF 2981 Vi

MasterCool FrenchDoor

For high-end design and technology on a large scale.



- Push2open for convenient door-opening assistance
- Food stays fresh for up to 3 x longer thanks to MasterFresh
- Light floods the interior thanks to LED elements – BrilliantLight
- Communication with appliances couldn't be easier – WiFiConn@ct
- Convenient control thanks to colour touch display MasterSensor

EAN: 4002516199946 / Material number: 11261400 / Old Material Number: 38298101GB

Appliance category	
Fridge-freezer	•
Construction type	
Built-in appliance	•
Integrated appliance	•
Door hinge	Left
Convertible door hinging	•
Side-by-side enabled	•
Design	
Lighting	BrilliantLight
User convenience	
Networking with Miele@home	•
Freshness system	MasterFresh
DynaCool	•
NoFrost	•
DuplexCool Pro	•
SoftClose	•
SelfClose	•
IceMaker with mains water connection	•
Push2open	•
FullAccess	•
EasyClean	•
MaxLoad hinge	•
Control system	
Operating concept	MasterSensor
Independent temperature regulation of fridge and freezer zones	Yes
Automatic SuperCool	•
No. of temperature zones	3
Sabbath mode	•
Eco mode	•
Fridge/Fridge section	
Height-adjustable tempered glass shelves	2
No. of crisper drawers	2
SlidingShelf	•
Door shelves for jars	2
Door rack for bottles	4
Freezer/Freezer section	
Number of freezer baskets	2
Efficiency and sustainability	
Energy Star	•
Safety	
Lock function	•
Spill guard	•
Acoustic door alarm	•
Acoustic temperature alarm	•
Optical door alarm	•
Optical temperature alarm	•
Technical data	
Niche width in mm min.	914

KF 2981 Vi

MasterCool FrenchDoor

For high-end design and technology on a large scale.



EAN: 4002516199946 / Material number: 11261400 / Old Material Number: 38298101GB

Niche width in mm max.	915
Niche height in mm min.	2134
Niche height in mm max.	2164
Niche depth in mm	629
Weight in kg	209,1
Max. door front weight – refrigerator, in kg	68
Max. door front weight – freezer, in kg	10
Climate class	SN-T
including PerfectFresh zone in l	34
Total usable capacity in l	502
Storage time in case of fault in h	17
Current consumption (mA)	3000
Voltage in V	220-240
Fuse rating in A	13
Number of phases	1
Frequency in Hz	50-60
Length of supply lead in m	3,0
Replacing lamps	Service

Accessories included

Active AirClean filter

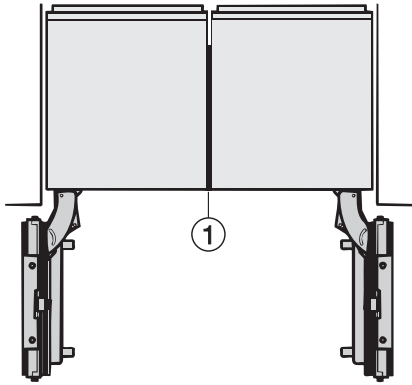
•

Available display languages

Available display languages via MultiLingua

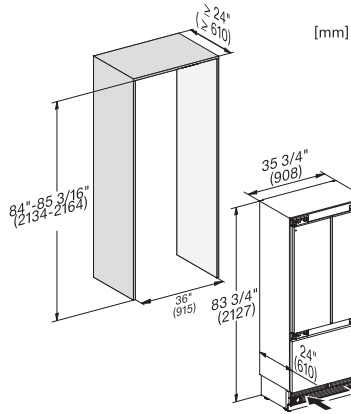
bahasa malaysia, dansk, deutsch, eesti, english, english (AU), english (CA), english (GB), english (US), español, français, français (CA), français (FR), hrvatski, italiano, latviesu, lietuviu, magyar, nederlands, norsk, polski, portugûês, русский, română, slovenčina, slovenščina, srpski, suomi, svenska, türkçe, українська, čeština, ελληνικά,

KF 2981 Vi
MasterCool FrenchDoor
For high-end design and technology on a large scale.

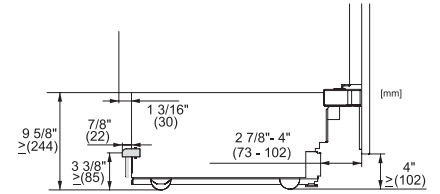


Side-by-side, MasterCool, without partition wall, with heating mat (Sketch) (with footnote)

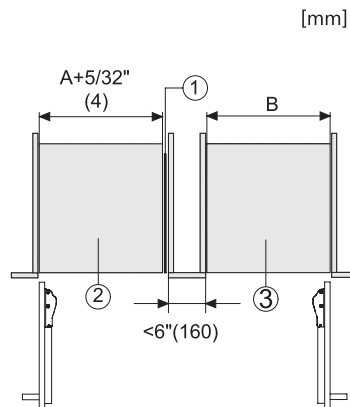
1) Heating mat KSK 2001 (EU, AUS, CN) or KSK 2002 (US, CA, MX, BR)



KF2982Vi, KF2981Vi, installation, MasterCool, installation drawings

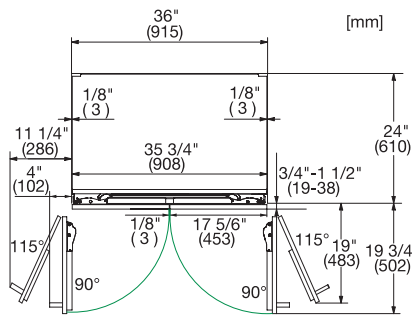


KF2901Vi/SF, KF2911Vi/SF, KF2801Vi/SF, KF2811Vi/SF, KF2981Vi/SF, sideview, MasterCool, installation drawings

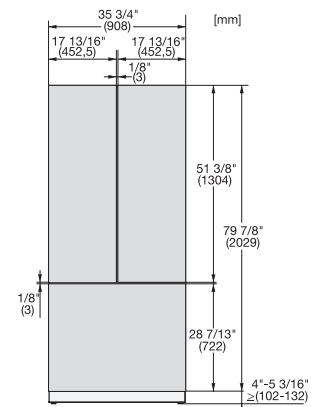


Side-by-Side, MasterCool, footnote, installation drawings

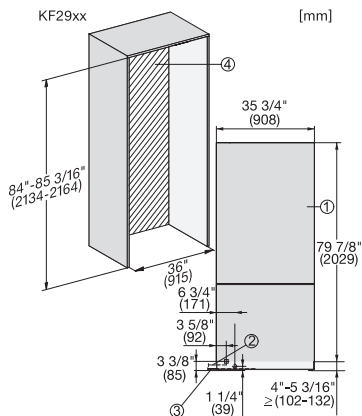
1. KSK 2001/2002, 2. Device A, 3. Device B, A = niche device A, B = niche device B



KF2982Vi, KF2982SF, KF2981Vi, KF2981SF, MasterCool, top view, installation drawings



KFP3635ed/cs, KFP3634ed/cs R, KFP3634ed/cs L, KFP3634ed/cs, Front panel, Front dimensions, MasterCool, sketch



KF2902Vi/SF, KF2912Vi/SF, KF2982Vi/SF, KF2901Vi/SF, KF2911Vi/SF, KF2981Vi/SF, installation, MasterCool

1. View from the front, 2. Mains Connection cable, L = 3000 mm (118 inch), 3. Water inlet position, L = 2000mm (not for KON USA), 4. No water/ELT connections permitted in this area