

H 7860 BP

Oven

seamless design with food probe and BrilliantLight.



- Large touch display with movement sensor – M Touch + MotionReact
- An eye on what's cooking anywhere, any time – camera in the oven
- Minimal cleaning effort – Pyrolytic cleaning equipment & PyroFit
- Especially light dough and nicely browned crusts – Moisture plus
- Ensures your food won't overcook – TasteControl

EAN: 4002516132790 / Material number: 11106080 / Old Material Number: 22786045D

Construction type	
Appliance Colour	Stainless steel/Clean Steel
Construction type and design	
Built-in oven	•
PureLine	•
Convenience features	
TasteControl	•
Rapid heat-up	•
Pre-heating	•
Food probe	Without cable
Keeping warm	•
Crisp function	•
Operating modes	
Defrosting	•
Automatic programmes	•
Country-specific automatic programmes	•
Auto roast	•
Eco hot air	•
Grill operating modes	•
Grill	•
Economy grill	•
Fan plus	•
Intensive bake	•
Moisture plus	•
Moisture plus with Fan plus	•
Moisture plus with Conventional heat	•
Moisture plus with Intensive bake	•
Moisture plus with Auto roast	•
Low temperature cooking	•
Conventional heat	•
Top heat	•
Bottom heat	•
Fan grill	•
Special applications	•
User convenience	
Networking with Miele@home	•
Display	M Touch
MotionReact: light comes on when movement is detected	•
MotionReact: display comes on when movement is detected	•
MotionReact: audible signal is acknowledged when movement is detected	•
MotionReact: detection of cabinet fronts	•
FoodView	•
SoftOpen	•
SoftClose	•
MultiLingua	•
MyMiele	•
Help function	•
Programmable timed steam injection	•

H 7860 BP

Oven

seamless design with food probe and BrilliantLight.



EAN: 4002516132790 / Material number: 11106080 / Old Material Number: 22786045D

Polyphonic buzzers	•
Time of day display	•
Clock synchronisation	•
Date display	•
Minute minder	•
Programmable start of cooking duration	•
Programmable end of cooking duration	•
Programmable cooking duration	•
Actual temperature display	•
Target temperature display	•
Buzzer when desired temperature is reached	•
Recommended temperature	•
User programmes	•
Sabbath programme	•
Individual settings	•
Efficiency and sustainability	
Energy efficiency class (A+++ – D)	A+
Automatic residual heat utilisation	•
Power rating in off mode in W	0,5
Power rating in standby mode in W	1,0
Power rating in networked standby in W	2,0
Time until automatic switch to standby in min	20
Time until automatic switch to networked standby in min	20
Time until automatic switch to off mode in min	20
Cleaning and care	
Stainless steel/CleanSteel finish	•
Pyrolytic self-cleaning	•
Catalyser	•
Hinged grill element	•
CleanGlass door	•
Safety	
Appliance cooling system and touch-cool front	•
Safety switch-off	•
System lock	•
Door lock during pyrolytic cleaning	•
Sensor lock	•
Technical data	
Oven compartment volume in l	76
No. of shelf levels	5
Number of shelf levels oven compartment 1	5
Number of shelf levels oven compartment 2	5
Numbered shelf levels	•
Oven light	BrilliantLight
Temperatures in °C	30–300
Temperatures min. in °C	30
Temperatures max. in °C	300
Niche width min. in mm	560
Niche width max. in mm	568
Niche height min. in mm	590
Niche height max. in mm	595
Niche depth in mm	550

H 7860 BP

Oven

seamless design with food probe and BrilliantLight.



EAN: 4002516132790 / Material number: 11106080 / Old Material Number: 22786045D

Appliance dimensions (W x H x D) in mm	595 x 596 x 569
Appliance width in mm	595
Appliance height in mm	596
Appliance depth in mm	569
Weight in kg	47,0
Total rated load in kW	3,70
Voltage in V	220-240
Frequency in Hz	50
Fuse rating in A	16
Number of phases	1
Mains cable with plug	•
Length of supply lead in m	1,50
Replacing lamps	Service
Accessories included	
Baking tray with PerfectClean	1
Universal tray with PerfectClean	1
Baking and roasting rack PyroFit	1
PyroFit FlexiClip runners	1
Wireless food probe	1
Removable PyroFit side runners (pair)	1
Descaling tablets	2

Available display languages

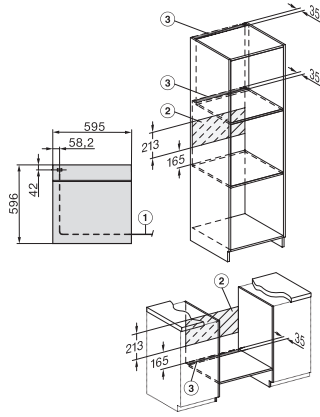
Available display languages via MultiLingua

bahasa malaysia, dansk, deutsch, english, español, français, hrvatski, italiano, magyar, nederlands, norsk, polski, portugûês, русский, română, slovenčina, slovenščina, srpski, suomi, svenska, türkçe, українська, čeština, ελληνικά,

H 7860 BP

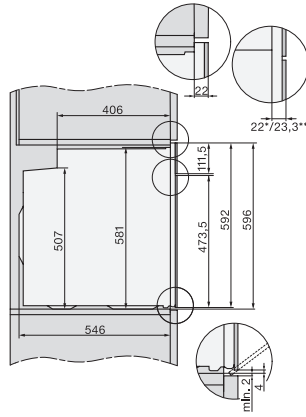
Oven

seamless design with food probe and BrilliantLight.



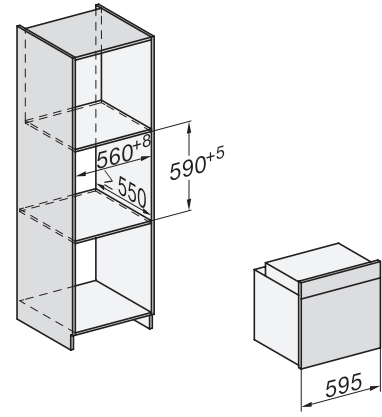
installation H7000 XL, installation drawing

1) Netzanschlussleitung, L=1500 mm, 2) In diesem Bereich kein Anschluss, 3) Lüftungsausschnitt min. 150 cm²

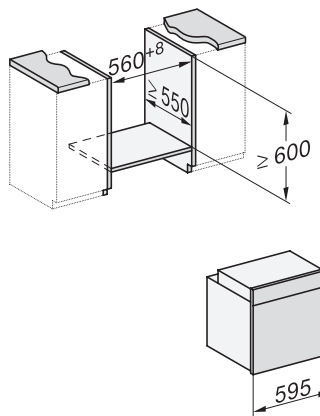


side view H7000 XL, installation drawings

22 mm – glass, 23,3 mm – metal

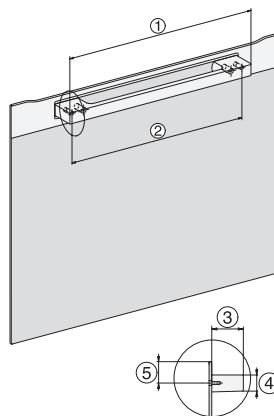


built-in H7000 XL, installation drawing



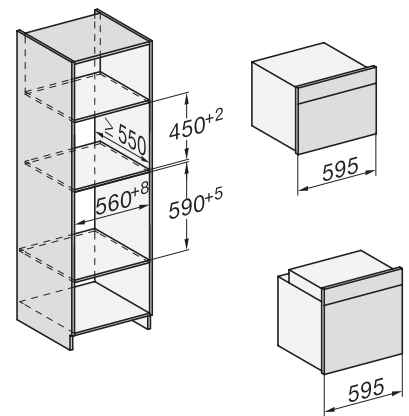
H226x-1B/BP/E/EP/IP, H2x6xB/BP, H7x6xB/BP/BPX, installation drawings

If the oven is to be installed under a hob, follow the instructions for installing the hob and the height of the hob.

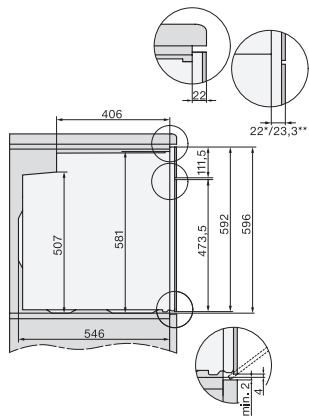


DG2840, DG7x40, DGC7x4x, DG7x6x, DGC7x6x, DGD7635, DGM7x4x, DO7, H28B/BP, H7x4xB/BM/BP, H7x6xB/BP, installation drawing

1) 400 mm, 2) 360 mm, 3) 47 mm, 4) 24 mm, 5) 32.5 mm

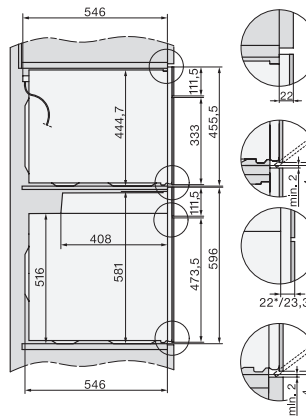


H226x-1B/BP/E/EP/IP, H2760B/BP, H28x0B/BP, H7x40BM/BMX, H7x6xB/BP/BPX, installation drawings



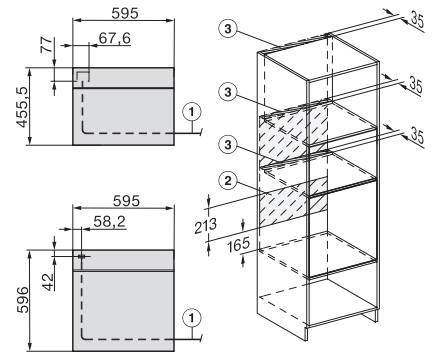
side view H7000 XL build-under, installation drawing

22 mm – glass, 23,3 mm – metal



H2xxx-1 B/BP/E/IP, H7xxx B/BP/BM/BMX, installation drawings

22 mm – glass, 23,3 mm – metal



H2xxx-1 B/BP/E/IP, H7xxx B/BP/BM/BMX, installation drawings

1) Mains connection cable, L=2000 mm, 2) No connection in this area, 3) Ventilation cut-out min. 150 cm².