

## H 7840 BM

Compact microwave combination oven  
with a seamless design, automatic programmes and food probe



- Large touch display with movement sensor – M Touch + MotionReact
- Easy cleaning – compartment with PerfectClean & linen structure
- Faster and more consistent results – Quick & Gentle
- Network-enabled WiFi appliance – Miele@home
- Get what you want in one easy step – Quick MW and Popcorn button

EAN: 4002516133056 / Material number: 11105940 / Old Material Number: 22784026D

<b>Construction type</b>	
Appliance Colour	Obsidian black
<b>Construction type and design</b>	
Built-in microwave combination oven	•
VitroLine	•
<b>Convenience features</b>	
Quick & Gentle	•
Rapid heat-up	•
Pre-heating	•
Food probe	With cable
Keeping warm	•
Crisp function	•
<b>Operating modes</b>	
Defrosting	•
Automatic programmes	•
Country-specific automatic programmes	•
Auto roast	•
Eco hot air	•
Grill	•
Fan plus	•
Intensive bake	•
Low temperature cooking	•
Microwave	•
Microwave with Auto roast	•
Microwave + Grill	•
Microwave + Fan plus	•
Microwave + Fan grill	•
Conventional heat	•
Bottom heat	•
Fan grill	•
Special applications	•
<b>User convenience</b>	
Networking with Miele@home	•
Display	M Touch
MotionReact proximity sensor	•
MotionReact: light comes on when movement is detected	•
MotionReact: display comes on when movement is detected	•
MotionReact: audible signal is acknowledged when movement is detected	•
MotionReact: detection of cabinet fronts	•
SoftOpen	•
SoftClose	•
MultiLingua	•
MyMiele	•
Help function	•
Popcorn function	•
Polyphonic buzzers	•
Time of day display	•
Clock synchronisation	•

## H 7840 BM

Compact microwave combination oven  
with a seamless design, automatic programmes and food probe



EAN: 4002516133056 / Material number: 11105940 / Old Material Number: 22784026D

Date display	•
Minute minder	•
Programmable start of cooking duration	•
Programmable end of cooking duration	•
Programmable cooking duration	•
Actual temperature display	•
Target temperature display	•
Buzzer when desired temperature is reached	•
Recommended temperature	•
Suggestion microwave power	•
Quick microwave	•
User programmes	•
Sabbath programme	•
Individual settings	•
<b>Efficiency and sustainability</b>	
Automatic residual heat utilisation	•
Power rating in off mode in W	0,5
Power rating in standby mode in W	1,0
Power rating in networked standby in W	2,0
Time until automatic switch to standby in min	20
Time until automatic switch to networked standby in min	20
Time until automatic switch to off mode in min	20
<b>Cleaning and care</b>	
Stainless-steel oven compartment with linen structure and PerfectClean	•
Hinged grill element	•
CleanGlass door	•
<b>Safety</b>	
Appliance cooling system and touch-cool front	•
Safety switch-off	•
System lock	•
Sensor lock	•
<b>Technical data</b>	
Oven compartment volume in l	43
No. of shelf levels	3
Number of shelf levels oven compartment 1	3
Number of shelf levels oven compartment 2	3
Oven light	1 LED spot
Temperatures in °C	30–250
Temperatures min. in °C	30
Temperatures max. in °C	250
Electronically controlled microwave power	•
Microwave power levels in W	
Niche width min. in mm	560
Niche width max. in mm	568
Niche height min. in mm	450
Niche height max. in mm	452
Niche depth in mm	550
Appliance width in mm	595
Appliance height in mm	456
Appliance depth in mm	568

## H 7840 BM

Compact microwave combination oven  
with a seamless design, automatic programmes and food probe



EAN: 4002516133056 / Material number: 11105940 / Old Material Number: 22784026D

Weight in kg	38,0
Total rated load in kW	3,20
Voltage in V	220-240
Frequency in Hz	50
Fuse rating in A	16
Number of phases	1
Mains cable with plug	•
Length of supply lead in m	2,00
Replacing lamps	Service

### Accessories included

Baking and roasting rack with PerfectClean	1
Wired food probe	1
Glass tray	2

### Available display languages

Available display languages via MultiLingua

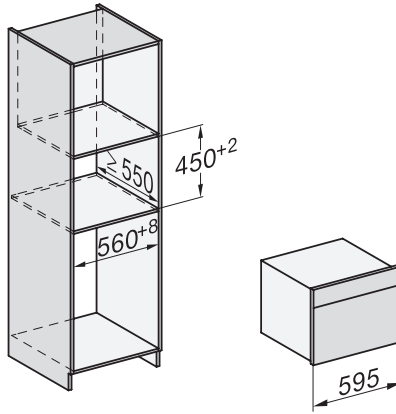
bahasa malaysia, dansk,  
deutsch, english, español,  
français, hrvatski, italiano,  
magyar, nederlands,  
norsk, polski, português,  
русский, română,  
slovenčina, slovenščina,  
srpski, suomi, svenska,  
türkçe, українська, čeština,  
ελληνικά,

## H 7840 BM

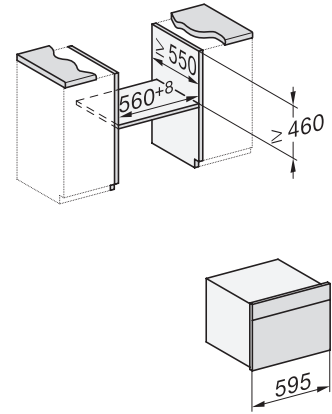
Compact microwave combination oven  
with a seamless design, automatic programmes and food probe



side view H7000 BM, installation drawings  
22 mm – glass, 23,3 mm – metal

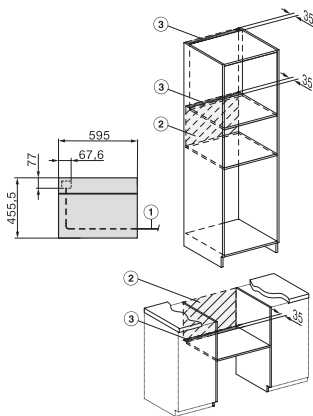


built-in H7000 BM, installation drawing

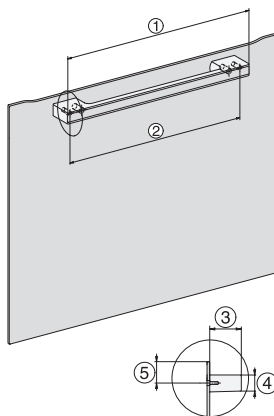


built-in H7000 BM build-under, installation drawings

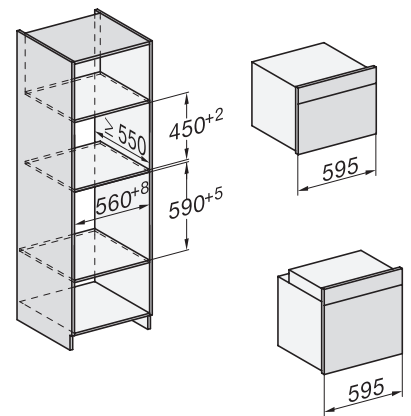
If the oven is to be installed under a hob, follow the instructions for installing the hob and the height of the hob.



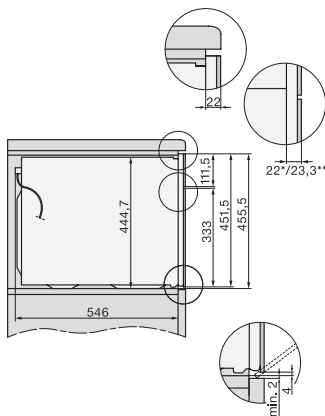
installation H7000 BM, installation drawing  
1) Mains connection cable, L=2000 mm, 2) No connection in this area, 3) Lüftungsausschnitt min. 150 cm<sup>2</sup>



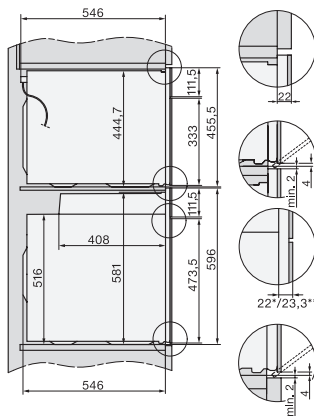
H7000 handle, glass, installation drawings  
1) 400 mm, 2) 360 mm, 3) 47 mm, 4) 27 mm, 5) 32.5 mm



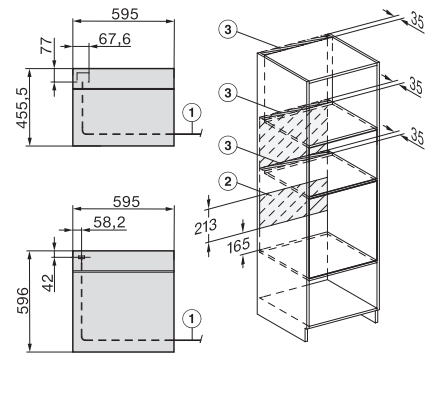
H226x-1B/BP/E/EP/I/IP, H2760B/BP, H28x0B/BP, H7x40BM/BMX, H7x6xB/BP/BPX, installation drawings



side view H7000 BM build-under, installation drawings  
22 mm – glass, 23,3 mm – metal



H2xxx-1 B/BP/E/I/IP, H7xxx B/BP/BM/BMX, installation drawings  
22 mm – glass, 23,3 mm – metal



H2xxx-1 B/BP/E/I/IP, H7xxx B/BP/BM/BMX, installation drawings  
1) Mains connection cable, L=2000 mm, 2) No connection in this area, 3) Ventilation cut-out min. 150 cm<sup>2</sup>.