

H 7440 BM

Compact microwave combination oven

with a seamless design, automatic programmes and combination modes.



- Large clear text display with sensor controls – DirectSensor
- Easy cleaning – compartment with PerfectClean & linen structure
- Faster and more consistent results – Quick & Gentle
- Network-enabled WiFi appliance – Miele@home
- Get what you want in one easy step – Quick MW and Popcorn button

EAN: 4002516132639 / Material number: 11104350 / Old Material Number: 22744046D

Construction type	
Appliance Colour	Stainless steel/Clean Steel
Construction type and design	
Built-in microwave combination oven	•
PureLine	•
Convenience features	
Quick & Gentle	•
Rapid heat-up	•
Pre-heating	•
Keeping warm	•
Operating modes	
Defrosting	•
Automatic programmes	•
Country-specific automatic programmes	•
Auto roast	•
Eco hot air	•
Grill	•
Fan plus	•
Microwave	•
Microwave with Auto roast	•
Microwave + Grill	•
Microwave + Fan plus	•
Microwave + Fan grill	•
Fan grill	•
Special applications	•
User convenience	
Networking with Miele@home	•
Display	DirectSensor
SoftOpen	•
SoftClose	•
MultiLingua	•
Popcorn function	•
Time of day display	•
Clock synchronisation	•
Date display	•
Minute minder	•
Programmable start of cooking duration	•
Programmable end of cooking duration	•
Programmable cooking duration	•
Actual temperature display	•
Target temperature display	•
Buzzer when desired temperature is reached	•
Recommended temperature	•
Suggestion microwave power	•
Quick microwave	•
User programmes	•
Individual settings	•
Efficiency and sustainability	
Automatic residual heat utilisation	•
Power rating in off mode in W	0,5

H 7440 BM

Compact microwave combination oven

with a seamless design, automatic programmes and combination modes.



EAN: 4002516132639 / Material number: 11104350 / Old Material Number: 22744046D

Power rating in standby mode in W	1,0
Power rating in networked standby in W	2,0
Time until automatic switch to standby in min	20
Time until automatic switch to networked standby in min	20
Time until automatic switch to off mode in min	20
Cleaning and care	
Stainless steel/CleanSteel finish	•
Stainless-steel oven compartment with linen structure and PerfectClean	•
Hinged grill element	•
CleanGlass door	•
Safety	
Appliance cooling system and touch-cool front	•
Safety switch-off	•
System lock	•
Sensor lock	•
Technical data	
Oven compartment volume in l	43
No. of shelf levels	3
Number of shelf levels oven compartment 1	3
Number of shelf levels oven compartment 2	3
Oven light	1 LED spot
Temperatures in °C	30–250
Temperatures min. in °C	30
Temperatures max. in °C	250
Electronically controlled microwave power	•
Microwave power levels in W	
Niche width min. in mm	560
Niche width max. in mm	568
Niche height min. in mm	450
Niche height max. in mm	452
Niche depth in mm	550
Appliance width in mm	595
Appliance height in mm	456
Appliance depth in mm	569
Weight in kg	36,0
Total rated load in kW	2,70
Voltage in V	220-240
Frequency in Hz	50
Fuse rating in A	16
Number of phases	1
Mains cable with plug	•
Length of supply lead in m	2,00
Replacing lamps	Service
Accessories included	
Baking and roasting rack with PerfectClean	1
Glass tray	1

H 7440 BM

Compact microwave combination oven
with a seamless design, automatic programmes and combination modes.



EAN: 4002516132639 / Material number: 11104350 / Old Material Number: 22744046D

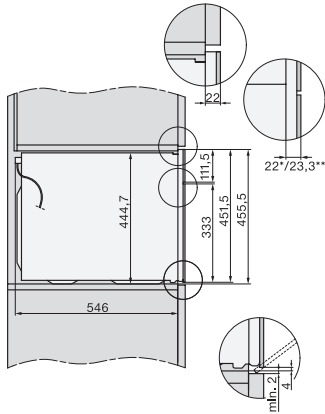
Available display languages

Available display languages via MultiLingua

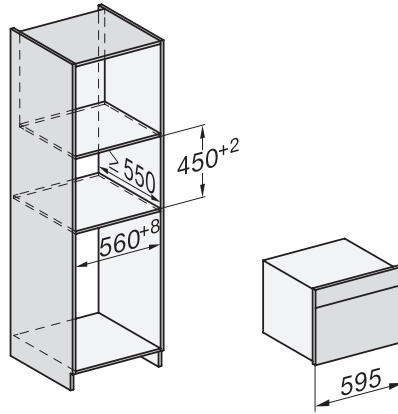
bahasa malaysia, dansk,
deutsch, english, español,
français, hrvatski, italiano,
magyar, nederlands,
norsk, polski, portugês,
русский, română,
slovenčina, slovenščina,
srpski, suomi, svenska,
türkçe, українська, čeština,
ελληνικά, , , ,

H 7440 BM

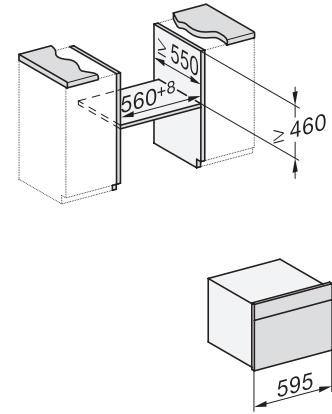
Compact microwave combination oven with a seamless design, automatic programmes and combination modes.



side view H7000 BM, installation drawings
22 mm – glass, 23,3 mm – metal

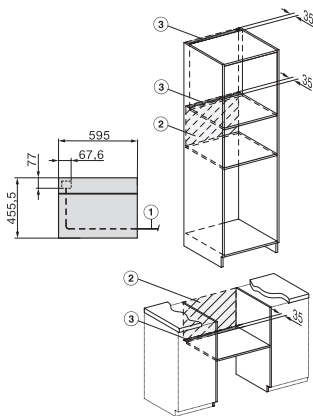


built-in H7000 BM, installation drawing



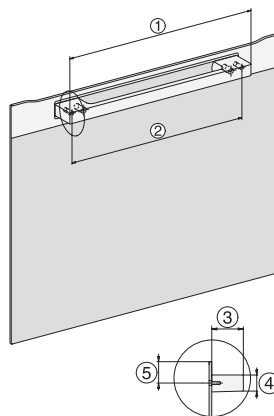
built-in H7000 BM build-under, installation drawings

If the oven is to be installed under a hob, follow the instructions for installing the hob and the height of the hob.



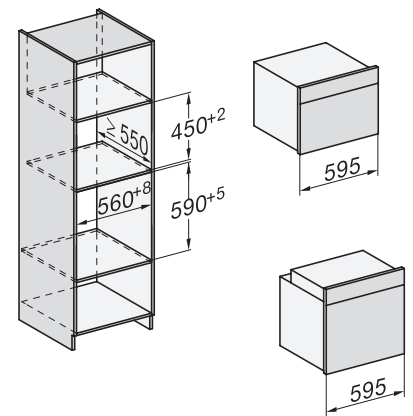
installation H7000 BM, installation drawing

1) Mains connection cable, L=2000 mm, 2) No connection in this area, 3) Lüftungsausschnitt min. 150 cm²

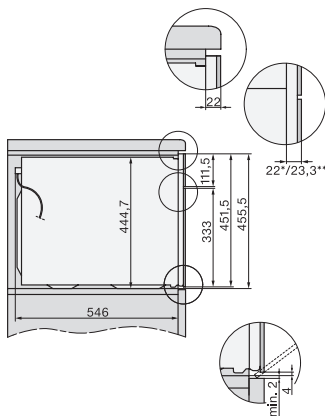


H7000 handle, installation drawing

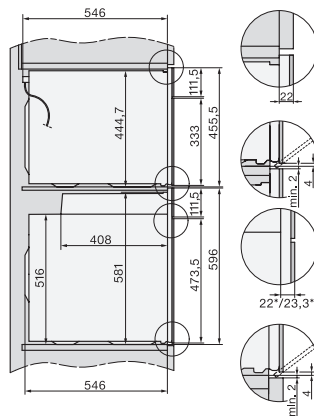
1) 400 mm, 2) 360 mm, 3) 47 mm, 4) 24 mm, 5) 32.5 mm



H226x-1B/BP/E/EP/IP, H2760B/BP, H28x0B/BP, H7x40BM/BMX, H7x6xB/BP/BPX, installation drawings

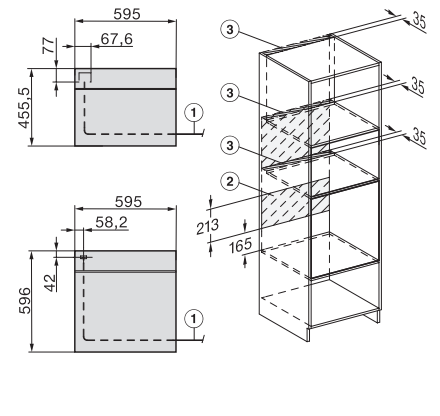


side view H7000 BM build-under, installation drawings
22 mm – glass, 23,3 mm – metal



H2xxx-1 B/BP/E/IP, H7xxx B/BP/BM/BMX, installation drawings

22 mm – glass, 23,3 mm – metal



H2xxx-1 B/BP/E/IP, H7xxx B/BP/BM/BMX, installation drawings

1) Mains connection cable, L=2000 mm, 2) No connection in this area, 3) Ventilation cut-out min. 150 cm².