

H 2890 B

90 cm wide oven

in a perfect mix and match design with timer and PerfectClean.



- 7-segment display with retractable rotary controls – EasyControl
- Particularly easy to clean – PerfectClean finish
- Lots of room and flexibility – 90 l oven capacity on 3 levels
- Fast heating and even heat distribution – TwinPower
- Protects against burns – touch-cool fronts

EAN: 4002516220954 / Material number: 11099480 / Old Material Number: 22289044NL

Construction type and design	
Built-in oven	•
Colour	Stainless steel/Clean Steel
PureLine	•
Retractable rotary controls	•
Convenience features	
Rapid heat-up	•
Operating modes	
Defrosting	•
Eco hot air	•
Grill operating modes	•
Grill	•
Fan plus	•
Conventional heat	•
Bottom heat	•
Fan grill	•
User convenience	
Display	EasyControl
SoftOpen	•
SoftClose	•
Time of day display	•
Minute minder	•
Programmable end of cooking duration	•
Programmable cooking duration	•
Individual settings	•
Efficiency and sustainability	
Energy efficiency class (A+++ – D)	A
Cleaning and care	
Stainless steel/CleanSteel finish	•
Oven compartment with PerfectClean and catalytically enamelled liners	•
Hinged grill element	•
CleanGlass door	•
Safety	
Appliance cooling system and touch-cool front	•
System lock	•
Technical data	
Oven compartment volume in l	90
No. of shelf levels	3
Number of shelf levels oven compartment 1	3
Number of shelf levels oven compartment 2	3
Numbered shelf levels	•
Oven light	2 halogen spots
TwinPower hot air fan	•
Temperatures in °C	50–270
Temperatures min. in °C	50
Temperatures max. in °C	270
Niche width min. in mm	860
Niche width max. in mm	860
Niche height min. in mm	517

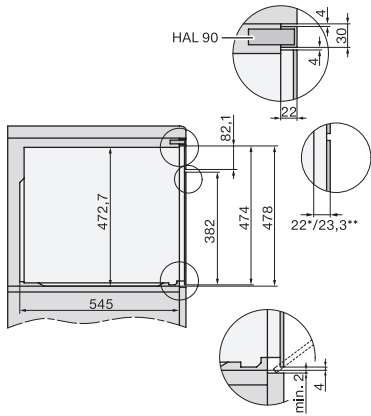
H 2890 B
 90 cm wide oven
 in a perfect mix and match design with timer and PerfectClean.



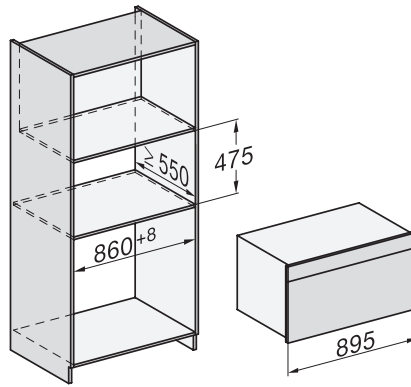
EAN: 4002516220954 / Material number: 11099480 / Old Material Number: 22289044NL

Niche height max. in mm	517
Niche depth in mm	550
Appliance width in mm	895
Appliance height in mm	478
Appliance depth in mm	568
Weight in kg	64,0
Total rated load in kW	3,70
Voltage in V	220-240
Frequency in Hz	50
Fuse rating in A	16
Number of phases	1
Length of supply lead in m	1,70
Replacing lamps	Customer
Accessories included	
Universal tray with PerfectClean	1
Baking and roasting rack without PerfectClean	1
Removable side runners (pair)	1

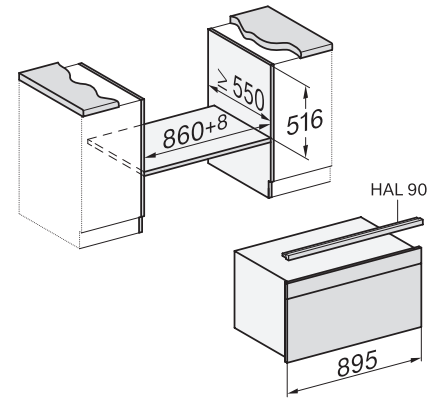
H 2890 B
90 cm wide oven
in a perfect mix and match design with timer and PerfectClean.



side view H7000 90 D1 build-under, installation drawing
22 mm – glass, 23,3 mm – metal

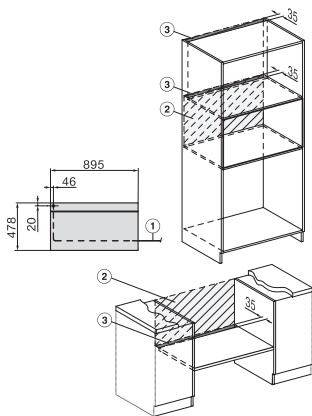


built-in H7000 90, installation drawing

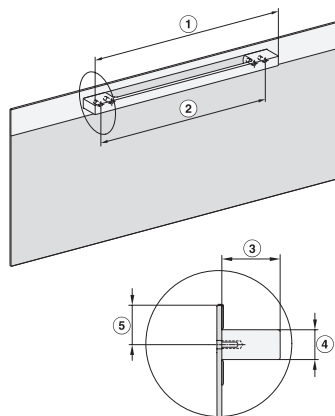


built-in H7000 90 build-under, installation drawing

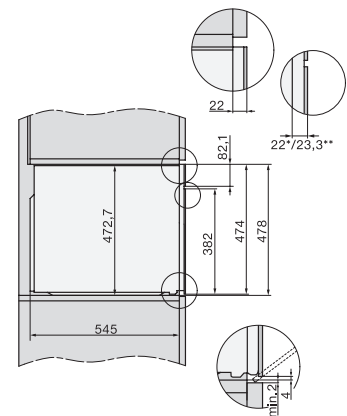
If the oven is to be installed under a hob, follow the instructions for installing the hob and the height of the hob.



installation H7000 90, installation drawing
1) Mains connection cable, L=2000 mm, 2) No connection in this area, 3) Lüftungsausschnitt min. 150 cm²



H2890B, installation drawings
1) 500 mm, 2) 444 mm, 3) 47 mm, 4) 24 mm, 5) 32.5 mm



side view H7000 90 D1, installation drawings
22 mm – glass, 23.3 mm – metal