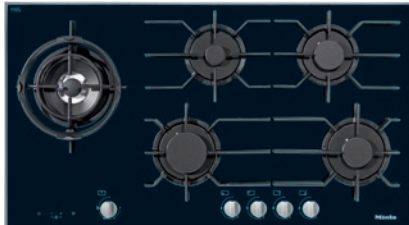


KM 3054-1

Gas hob

with electronic functions for maximum safety and user convenience.



- Optimal – single-handed operation via rotary dials and QuickStart
- Elegant design – 942 mm wide gas on glass hob
- Particularly versatile – 5 burners incl. 1 dual wok
- Extremely safe – GasStop&Restart function
- Easy cleaning – dishwasher-safe ComfortClean pot rests

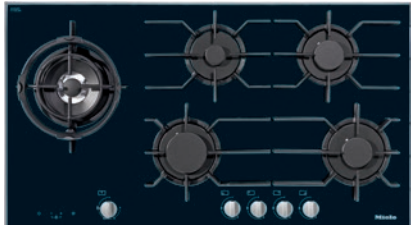
EAN: 4002516127611 / Material number: 10939040 / Old Material Number: 263054511

<b>Heating type</b>	
Heating type	Gas
<b>Construction type</b>	
Independent of cooker	•
<b>Design</b>	
Elegant glass ceramic surface	•
Cast iron pot rests (matt black enamelled)	•
<b>Cooking zone details</b>	
Number of cooking zones	5
<b>1st cooking zone/cooking area</b>	
Position	left centre
Type	Dual wok burner
<b>2nd cooking zone/cooking area</b>	
Position	rear centre
Type	Economy burner
<b>3rd cooking zone/cooking area</b>	
Position	rear right
Type	Standard burner
<b>4th cooking zone/cooking area</b>	
Position	front right
Type	Standard burner
<b>5th cooking zone/cooking area</b>	
Position	front centre
Type	High-speed burner
<b>User convenience</b>	
Operation via knobs	•
Electronic ignition with single-hand operation	•
QuickStart	•
<b>Cleaning and care</b>	
Easy to clean ceramic glass	•
Dishwasher-proof pot rests	•
<b>Safety</b>	
Heat indicator	•
Operational indicator	•
GasStop & ReStart	•
<b>Technical data</b>	
Dimensions (H x W x D) in mm	53 x 942 x 526
Dimensions in mm (width)	942
Dimensions in mm (height)	53
Dimensions in mm (depth)	526
Cutout dimensions in mm (width) with surface-mounted installation	916
Cutout dimensions in mm (depth) with surface-mounted installation	500
Casing height incl. connection box in mm	78
Weight in kg	22
Total rated load in kW	0,00
Length of supply lead in m	2,0
Voltage in V	220-240
Frequency in Hz	50-60

KM 3054-1

Gas hob

with electronic functions for maximum safety and user convenience.



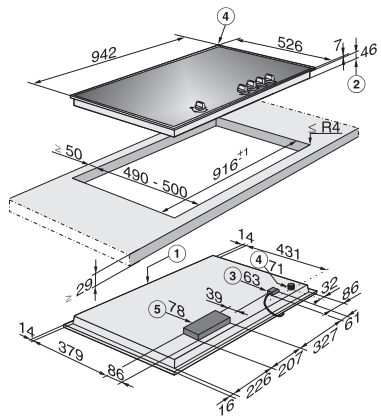
EAN: 4002516127611 / Material number: 10939040 / Old Material Number: 263054511

Accessories included	
Mains cable	Yes
Wok ring	•
Small trivet	•

KM 3054-1

Gas hob

with electronic functions for maximum safety and user convenience.



KM 3054-1 G (installation drawing)

1. Front, 2. Casing depth, 3. Mains connection box with mains connection cable L = 2000 mm, 4. Gas connection R 1/2" – ISO 7-1 (DIN EN 10226)