

DA 6708 D Aura Edition 6000

Island cooker hood

with energy-efficient LED lighting and touch controls for simple operation.



- Family design – based on Miele built-in appliances
- Unique user convenience – Con@ctivity
- Powerful – 620 m³/h in Booster level
- Efficient – NoSmell active charcoal filter
- Handy – programmable active charcoal filter saturation indicator

EAN: 4002515937099 / Material number: 10755650 / Old Material Number: 28670855D

Construction type	
Island cooker hood	•
Operating modes	
Type of air guide	Recirculation
Design	
Colour	Stainless steel
Variable height available as customisation on request	•
User convenience	
Miele@home	•
Automatic function Con@ctivity	•
Electronic controls	•
Power levels (number without Booster level)	3
Touch controls	•
Miele@mobile app	•
Programmable Booster level switch-off	•
Run-on time 5/15 min.	•
Grease filter saturation indicator	•
Grease filter saturation indicator programmable	•
Active charcoal filter saturation indicator programmable	•
Easy-to-clean canopy interior – CleanCover	•
Efficiency and sustainability	
Annual energy consumption in kWh/year	80,6
Energy efficiency class (A+++ – D)	C
Annual energy consumption in kWh/year	80,6
Fluid dynamic efficiency class	D
Lighting efficiency class	A
Grease filtering efficiency class	B
Filter system	
Number of dishwasher-safe stainless steel grease filters (10-ply)	2
Lighting	
LED	•
Number x W	4 x 3 W
Light intensity in lx	720 lx
Colour temperature in K	3500 Kelvin
Dimmer function	•
Fan	
Single-action fan	•
AC motor	•
Recirculation	
Air throughput in Level 1 (m ³ /h) according to EN 61591	250
Air throughput in Level 2 (m ³ /h) according to EN 61591	370
Air throughput in Level 3 (m ³ /h) according to EN 61591	470
Air throughput in Booster level 1 (m ³ /h) according to EN 61591	620
Sound power in Level 1 (dB(A) re 1 pW) according to EN 60704-3	54,0
Sound power in Level 2 (dB(A) re 1 pW) according to EN 60704-3	63,0
Sound power in Level 3 (dB(A) re 1 pW) according to EN 60704-3	67,0

DA 6708 D Aura Edition 6000

Island cooker hood

with energy-efficient LED lighting and touch controls for simple operation.



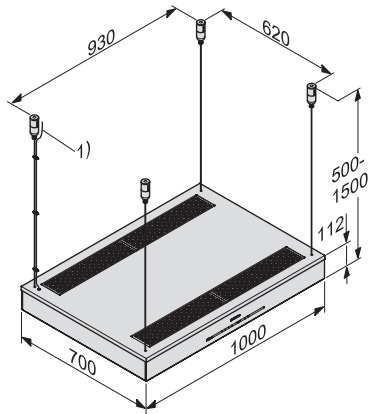
EAN: 4002515937099 / Material number: 10755650 / Old Material Number: 28670855D

Sound power in Booster level 1 (dB(A) re 1 pW) acc. to EN 60704-3	74,0
Sound pressure in Level 1 (dB(A) re 20 µPa) according to EN 60704-2-13	39,0
Sound pressure in Level 2 (dB(A) re 20 µPa) according to EN 60704-2-13	48,0
Sound pressure in Level 3 (dB(A) re 20 µPa) according to EN 60704-2-13	53,0
Sound pressure in Booster level 1 (dB(A) re 20 µPa) acc. to EN 60704-2-13	59,0
Safety	
Safety switch-off	•
Single-ply safety glass (ESG)	•
Technical data	
Canopy width in mm	1000
Canopy height in mm	112
Overall height for recirculation in in. (mm)	500
Canopy depth in mm	700
Overall height for recirculation mode cooker hoods in mm	1500
Minimum height above electric hobs in mm	450
Minimum height above gas hobs (max. 12.6 kW total power, burner ≤ 4.5 kW) in mm	650
Net weight in kg	33,0
Length of supply lead in m	1,8
Hard-wired connection	•
Total rated load in kW	0,15
Voltage in V	230
Fuse rating in A	10
Number of phases	1
Frequency in Hz	50
Installation notes	
Fitting template	•
Combination with WiFi-enabled Miele hob	recommended
Accessories included	
Active charcoal filter	•
Optional accessories	
Active charcoal filter	Ja
Active charcoal filter, can be reactivated	DKF 21-R

DA 6708 D Aura Edition 6000

Island cooker hood

with energy-efficient LED lighting and touch controls for simple operation.



DA 6708 D (Installation drawing)

1) Mains connection cable. The distance to the ceiling or furniture mounted above the unit should be at least 300 mm.,