

DA 6798 W Shape

Wall mounted cooker hood

with energy-efficient LED lighting and touch controls for simple operation.



- Headroom – design based on Miele built-in appliances
- Unique user convenience – Con@ctivity
- Powerful – 610 m³/h in Booster level
- Energy-efficient and quiet – powerful ECO motor
- Safe and easy to clean – Miele CleanCover

EAN: 4002515935811 / Material number: 10750370 / Old Material Number: 28679840D

Construction type	
Wall mounted cooker hood	•
Operating modes	
Type of air guide	Can be retrofitted
Active charcoal filter (order separately)	DKF 25-P
Design	
Colour	Obsidian black
User convenience	
Miele@home	•
Automatic function Con@ctivity	•
Electronic controls	•
Power levels (number without Booster level)	3
Touch controls	•
Miele@mobile app	•
Programmable Booster level switch-off	•
Run-on time 5/15 min.	•
Grease filter saturation indicator	•
Grease filter saturation indicator programmable	•
Active charcoal filter saturation indicator programmable	•
Easy-to-clean canopy interior – CleanCover	•
Efficiency and sustainability	
Annual energy consumption in kWh/year	27,8
Energy efficiency class (A+++ – D)	A+
ECO motor	•
PowerManagement system	•
Annual energy consumption in kWh/year	27,8
Fluid dynamic efficiency class	A
Lighting efficiency class	A
Grease filtering efficiency class	D
Filter system	
Number of dishwasher-safe stainless steel grease filters (10-ply)	1
Lighting	
LED	•
Number x W	3 x 3 W
Light intensity in Lx	320 lx
Colour temperature in K	3500 Kelvin
Dimmer function	•
Fan	
Dual-action fan	•
DC motor	•
Exhaust air	
Air throughput in Level 1 (m ³ /h) according to EN 61591	180
Air throughput in Level 2 (m ³ /h) according to EN 61591	280
Air throughput in Level 3 (m ³ /h) according to EN 61591	380
Air throughput in Booster level (m ³ /h) according to EN 61591	610
Sound power in Level 1 (dB(A) re 1 pW) according to EN 60704-3	36,0
Sound power in Level 2 (dB(A) re 1 pW) according to EN 60704-3	44,0

DA 6798 W Shape
Wall mounted cooker hood
with energy-efficient LED lighting and touch controls for simple operation.



EAN: 4002515935811 / Material number: 10750370 / Old Material Number: 28679840D

Sound power in Level 3 (dB(A) re 1 pW) according to EN 60704-3	52,0
Sound power in Booster level (dB(A) re 1 pW) acc. to EN 60704-3	63,0
Sound pressure in Level 1 (dB(A) re 20 µPa) according to EN 60704-2-13	21,0
Sound pressure in Level 2 (dB(A) re 20 µPa) according to EN 60704-2-13	30,0
Sound pressure in Level 3 (dB(A) re 20 µPa) according to EN 60704-2-13	37,0
Sound pressure in Booster level (dB(A) re 20 µPa) acc. to EN 60704-2-13	48,0
Recirculation	
Air throughput in Level 1 (m ³ /h) according to EN 61591	110
Air throughput in Level 2 (m ³ /h) according to EN 61591	190
Air throughput in Level 3 (m ³ /h) according to EN 61591	325
Air throughput in Booster level 1 (m ³ /h) according to EN 61591	490
Sound power in Level 1 (dB(A) re 1 pW) according to EN 60704-3	42,0
Sound power in Level 2 (dB(A) re 1 pW) according to EN 60704-3	50,0
Sound power in Level 3 (dB(A) re 1 pW) according to EN 60704-3	57,0
Sound power in Booster level 1 (dB(A) re 1 pW) acc. to EN 60704-3	69,0
Sound pressure in Level 1 (dB(A) re 20 µPa) according to EN 60704-2-13	27,0
Sound pressure in Level 2 (dB(A) re 20 µPa) according to EN 60704-2-13	35,0
Sound pressure in Level 3 (dB(A) re 20 µPa) according to EN 60704-2-13	43,0
Sound pressure in Booster level 1 (dB(A) re 20 µPa) acc. to EN 60704-2-13	54,0
Safety	
Safety switch-off	•
Single-ply safety glass (ESG)	•
Technical data	
Overall hood height for extraction mode and external in mm	568
Overall hood height for recirculation and external in mm	568
Overall height for vented and external in in. (mm)	568
Canopy width in mm	898
Overall height for extraction mode and external mode cooker hoods in mm	568
Canopy height in mm	568
Overall height for recirculation in in. (mm)	568
Canopy depth in mm	493
Overall height for recirculation mode cooker hoods in mm	568
Minimum height above electric hobs in mm	450
Net weight in kg	30,0
Length of supply lead in m	1,5
Standard plug fitted	•
Hard-wired connection	•

DA 6798 W Shape

Wall mounted cooker hood

with energy-efficient LED lighting and touch controls for simple operation.



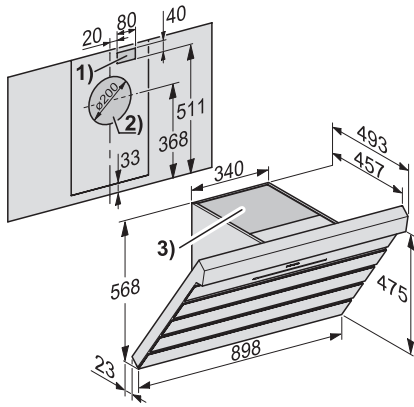
EAN: 4002515935811 / Material number: 10750370 / Old Material Number: 28679840D

Minimum safety distance above gas hobs (max. 12.6 kW total power, burner \leq 4.5 kW) in mm	650
Total rated load in kW	0,08
Voltage in V	230
Fuse rating in A	10
Number of phases	1
Frequency in Hz	50
Installation notes	
Extraction ducting connection at top	•
Extraction connection at top and rear	•
Diameter of exhaust duct in mm	150
Combination with WiFi-enabled Miele hob	recommended
Accessories included	
Non-return flap	•
Optional accessories	
Active charcoal filter	Ja
Active charcoal filter, can be reactivated	DKF 25-R
Chimney	DADC 6000

DA 6798 W Shape

Wall mounted cooker hood

with energy-efficient LED lighting and touch controls for simple operation.



DA 6798 W – Shape (Installation drawing)

1) Breakthrough, if the mains connection is not with mains plug but with fixed connection., 2) Breakthrough in air exhaust to the rear. Exhaust connection alternatively to the rear. , 3) Air outlet for recirculation. The distance to the ceiling or the top of the unit mounted furniture should be at least 300 mm.,