

DA 1260

Built-under cooker hood

with energy-efficient LED lighting and sliding switch for simple operation.



- Puristic design – space-saving solution 598 mm wide
- Powerful – 545 m<sup>3</sup>/h in Booster level
- Efficient filtration- 10-ply stainless-steel grease filter
- Safe and easy to clean – Miele CleanCover
- Suitable for every home – for extraction or recirculation

EAN: 4002515773949 / Material number: 10451390 / Old Material Number: 28126055D

<b>Construction type</b>	
Built-under hood	•
<b>Operating modes</b>	
Type of air guide	Can be retrofitted
Active charcoal filter (order separately)	DKF 18-P
<b>Design</b>	
Colour	Stainless steel
<b>User convenience</b>	
Mechanical controls	•
Power levels (number without Booster level)	3
Slide switch	•
Easy-to-clean canopy interior – CleanCover	•
<b>Efficiency and sustainability</b>	
Annual energy consumption in kWh/year	91,6
Energy efficiency class (A+++ – D)	C
Annual energy consumption in kWh/year	91,6
Fluid dynamic efficiency class	D
Lighting efficiency class	A
Grease filtering efficiency class	A
<b>Filter system</b>	
Number of dishwasher-safe stainless steel grease filters (10-ply)	2
<b>Lighting</b>	
LED	•
Number x W	2 x 3 W
Light intensity in lx	330 lx
Colour temperature in K	3000 Kelvin
<b>Fan</b>	
Single-action fan	•
AC motor	•
<b>Exhaust air</b>	
Air throughput in Level 1 (m <sup>3</sup> /h) according to EN 61591	275
Air throughput in Level 2 (m <sup>3</sup> /h) according to EN 61591	315
Air throughput in Level 3 (m <sup>3</sup> /h) according to EN 61591	355
Air throughput in Booster level (m <sup>3</sup> /h) according to EN 61591	545
Sound power in Level 1 (dB(A) re 1 pW) according to EN 60704-3	57,0
Sound power in Level 2 (dB(A) re 1 pW) according to EN 60704-3	60,0
Sound power in Level 3 (dB(A) re 1 pW) according to EN 60704-3	64,0
Sound power in Booster level (dB(A) re 1 pW) acc. to EN 60704-3	74,0
Sound pressure in Level 1 (dB(A) re 20 µPa) according to EN 60704-2-13	43,0
Sound pressure in Level 2 (dB(A) re 20 µPa) according to EN 60704-2-13	47,0
Sound pressure in Level 3 (dB(A) re 20 µPa) according to EN 60704-2-13	50,0
Sound pressure in Booster level (dB(A) re 20 µPa) acc. to EN 60704-2-13	60,0

DA 1260

Built-under cooker hood

with energy-efficient LED lighting and sliding switch for simple operation.



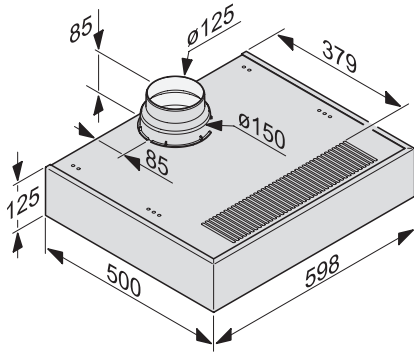
EAN: 4002515773949 / Material number: 10451390 / Old Material Number: 28126055D

<b>Recirculation</b>	
Air throughput in Level 1 (m <sup>3</sup> /h) according to EN 61591	165
Air throughput in Level 2 (m <sup>3</sup> /h) according to EN 61591	180
Air throughput in Level 3 (m <sup>3</sup> /h) according to EN 61591	195
Air throughput in Booster level 1 (m <sup>3</sup> /h) according to EN 61591	220
Sound power in Level 1 (dB(A) re 1 pW) according to EN 60704-3	71,0
Sound power in Level 2 (dB(A) re 1 pW) according to EN 60704-3	72,0
Sound power in Level 3 (dB(A) re 1 pW) according to EN 60704-3	73,0
Sound power in Booster level 1 (dB(A) re 1 pW) acc. to EN 60704-3	75,0
Sound pressure in Level 1 (dB(A) re 20 µPa) according to EN 60704-2-13	57,0
Sound pressure in Level 2 (dB(A) re 20 µPa) according to EN 60704-2-13	58,0
Sound pressure in Level 3 (dB(A) re 20 µPa) according to EN 60704-2-13	59,0
Sound pressure in Booster level 1 (dB(A) re 20 µPa) acc. to EN 60704-2-13	62,0
<b>Technical data</b>	
Canopy width in mm	598
Canopy height in mm	125
Canopy depth in mm	500
Minimum height above electric hobs in mm	450
Net weight in kg	11,2
Length of supply lead in m	1,5
Standard plug fitted	•
Minimum safety distance above gas hobs (max. 12.6 kW total power, burner ≤ 4.5 kW) in mm	650
Total rated load in kW	0,23
Voltage in V	230
Fuse rating in A	10
Number of phases	1
Frequency in Hz	50
<b>Installation notes</b>	
Extraction ducting connection at top	•
Diameter of exhaust duct in mm	150
Fitting template	•
<b>Accessories included</b>	
Deflector for recirculation	•
Non-return flap	•
<b>Optional accessories</b>	
Active charcoal filter	Nein

DA 1260

Built-under cooker hood

with energy-efficient LED lighting and sliding switch for simple operation.



DA 1060, DA 1160, DA 1260 (Installation drawing)