

DA 2450

Extractor unit

with energy-efficient LED lighting and rotary dials for easy use



- Customised kitchen design – fully integrated in 532 mm width
- Powerful – 590 m<sup>3</sup>/h in Booster level
- Efficient filtration- 10-ply stainless-steel grease filter
- Safe and easy to clean – Miele CleanCover
- Suitable for every home – for extraction or recirculation

EAN: 4002515776865 / Material number: 10446830 / Old Material Number: 28245055D

|   |                    |
|---|--------------------|
| <b>Construction type</b>  |                    |
| Integrated extractor  | •                  |
| <b>Operating modes</b>  |                    |
| Type of air guide   | Can be retrofitted |
| Recirculation conversion kit (order separately)                           | DUU 151            |
| Active charcoal filter (order separately)                                 | DKF 15-P           |
| <b>Design</b>   |                    |
| Colour  | Stainless steel    |
| <b>User convenience</b>   |                    |
| Rotary knob   | •                  |
| Electronic controls   | •                  |
| Power levels (number without Booster level)                               | 2                  |
| Easy-to-clean canopy interior – CleanCover                                | •                  |
| <b>Efficiency and sustainability</b>                                      |                    |
| Annual energy consumption in kWh/year                                     | 52,6               |
| Energy efficiency class (A+++ – D)  | A                  |
| Annual energy consumption in kWh/year                                     | 52,6               |
| Fluid dynamic efficiency class  | A                  |
| Lighting efficiency class   | A                  |
| Grease filtering efficiency class   | B                  |
| <b>Filter system</b>  |                    |
| Number of dishwasher-safe stainless steel grease filters (10-ply)         | 1                  |
| <b>Lighting</b>   |                    |
| LED   | •                  |
| Number x W  | 2 x 3 W            |
| Light intensity in lx   | 330 lx             |
| Colour temperature in K   | 3000 Kelvin        |
| <b>Fan</b>  |                    |
| Dual-action fan   | •                  |
| AC motor  | •                  |
| <b>Exhaust air</b>  |                    |
| Air throughput in Level 1 (m <sup>3</sup> /h) according to EN 61591       | 230                |
| Air throughput in Level 2 (m <sup>3</sup> /h) according to EN 61591       | 350                |
| Air throughput in Booster level (m <sup>3</sup> /h) according to EN 61591 | 590                |
| Sound power in Level 1 (dB(A) re 1 pW) according to EN 60704-3            | 47,0               |
| Sound power in Level 2 (dB(A) re 1 pW) according to EN 60704-3            | 54,0               |
| Sound power in Booster level (dB(A) re 1 pW) acc. to EN 60704-3           | 66,0               |
| Sound pressure in Level 1 (dB(A) re 20 µPa) according to EN 60704-2-13    | 32,0               |
| Sound pressure in Level 2 (dB(A) re 20 µPa) according to EN 60704-2-13    | 40,0               |
| Sound pressure in Booster level (dB(A) re 20 µPa) acc. to EN 60704-2-13   | 52,0               |
| <b>Recirculation</b>  |                    |
| Air throughput in Level 1 (m <sup>3</sup> /h) according to EN 61591       | 185                |
| Air throughput in Level 2 (m <sup>3</sup> /h) according to EN 61591       | 305                |

DA 2450

Extractor unit

with energy-efficient LED lighting and rotary dials for easy use



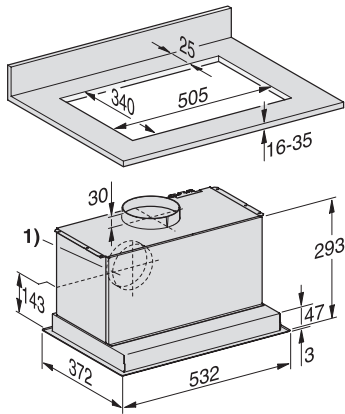
EAN: 4002515776865 / Material number: 10446830 / Old Material Number: 28245055D

|  |      |
|--|------|
| Air throughput in Booster level 1 (m <sup>3</sup> /h) according to EN 61591              | 525  |
| Sound power in Level 1 (dB(A) re 1 pW) according to EN 60704-3                           | 52,0 |
| Sound power in Level 2 (dB(A) re 1 pW) according to EN 60704-3                           | 61,0 |
| Sound power in Booster level 1 (dB(A) re 1 pW) acc. to EN 60704-3                        | 71,0 |
| Sound pressure in Level 1 (dB(A) re 20 µPa) according to EN 60704-2-13                   | 38,0 |
| Sound pressure in Level 2 (dB(A) re 20 µPa) according to EN 60704-2-13                   | 47,0 |
| Sound pressure in Booster level 1 (dB(A) re 20 µPa) acc. to EN 60704-2-13                | 57,0 |
| <b>Technical data</b>  |      |
| Canopy width in mm   | 532  |
| Canopy height in mm  | 50   |
| Canopy depth in mm   | 372  |
| Minimum height above electric hobs in mm   | 450  |
| Net weight in kg   | 10,2 |
| Length of supply lead in m   | 1,5  |
| Standard plug fitted   | •    |
| Minimum safety distance above gas hobs (max. 12.6 kW total power, burner ≤ 4.5 kW) in mm | 650  |
| Total rated load in kW   | 0,22 |
| Voltage in V   | 230  |
| Fuse rating in A   | 10   |
| Number of phases   | 1    |
| Frequency in Hz  | 50   |
| <b>Installation notes</b>  |      |
| Extraction ducting connection at top   | •    |
| Extraction connection at top and rear  | •    |
| Diameter of exhaust duct in mm   | 150  |
| <b>Accessories included</b>  |      |
| Non-return flap  | •    |
| <b>Optional accessories</b>  |      |
| Active charcoal filter   | Ja   |

DA 2450

Extractor unit

with energy-efficient LED lighting and rotary dials for easy use



DA2450, DA2450-1, DA2558 (Installation drawing)

1) Vent connection alternatively to rear, You will find further detailed measurements in the instructions for use!