

KWT 6322 UG

Built-under wine conditioning unit

with FlexiFrame and Push2open for greater versatility and top-quality design.



- Simultaneous wine storage in separate temperature zones
- Odourless refrigeration section thanks to Active AirClean filters
- Present your wine in the perfect light – LED lighting
- Optimum wine protection through UV filters in tinted glass front
- Secure storage of wine bottles with pull-out racks

EAN: 4002515035719 / Material number: 09138040 / Old Material Number: 36632200EU1

Appliance category	
Wine conditioning unit	•
Construction type	
Built-in appliance	•
Integrated appliance	•
Undercounter appliance	•
Door hinge	right
Convertible door hinging	•
Side-by-side enabled	•
Design	
Front colour	Glass door
Wine compartment lighting	LED illumination
User convenience	
Networking with Miele@home	•
Accessories required	XKS 3130 W
DynaCool	•
SoftClose	•
Concealed door opener	Push2open
Push2open	•
No. of wooden racks	4
Number of FlexiFrame wooden racks	3
Low-vibration storage	•
Controls	
Operating concept	TouchControl
Independent temperature regulation of fridge and freezer zones	No
No. of temperature zones	2
Min. temperature setting range in °C	5
Max. temperature setting range in °C	20
Efficiency and sustainability	
Energy efficiency class (A–G)	G
Annual energy consumption in kWh	145,64
Energy consumption in 24 h in kWh	0,39
Safety	
Lock function	•
Acoustic door alarm	•
Optical door alarm	•
Technical data	
Niche width in mm min.	600
Niche width in mm max.	600
Niche height in mm min.	820
Niche height in mm max.	870
Niche depth in mm	580
Appliance width in mm	597
Appliance height in mm	822
Appliance depth in mm	577
Weight in kg	49,0
Climate class	SN-ST
Refrigerator compartment in l	94
Wine conditioning zone in l	94

KWT 6322 UG

Built-under wine conditioning unit

with FlexiFrame and Push2open for greater versatility and top-quality design.

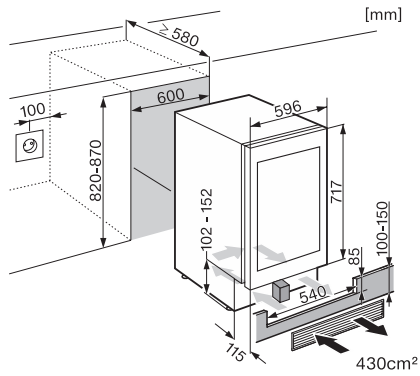


EAN: 4002515035719 / Material number: 09138040 / Old Material Number: 36632200EU1

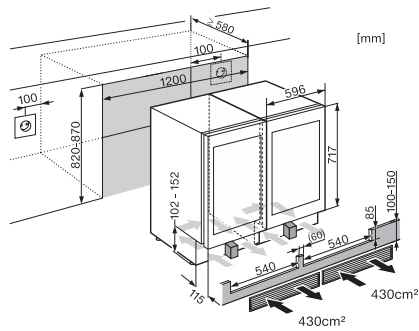
Total usable capacity in l	94
0.75 l Bordeaux bottle capacity (no. of bottles)	34 bottles
Storage time in case of fault in h	0
Noise class (A-D)	B
Sound power in dB(A) re 1 pW	35
Current consumption (mA)	1500
Voltage in V	220-240
Fuse rating in A	10
Number of phases	1
Frequency in Hz	50
Length of supply lead in m	2,8
Accessories supplied	
Active AirClean filter	•

KWT 6322 UG

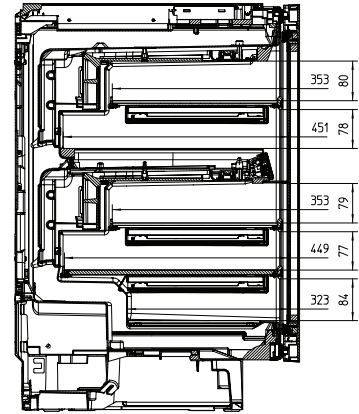
Built-under wine conditioning unit with FlexiFrame and Push2open for greater versatility and top-quality design.



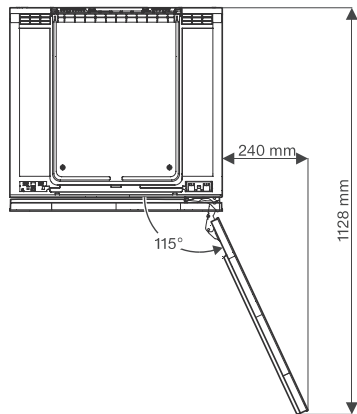
KWT6312UGS, KWT6322UG, KWT6322UG edt/cs
(Installation drawings)



KWT6312UGS, KWT6322UG, KSK6300, Side by Side



KWT6322UG, KWT6322UG edt/cs, Interior dimensions
(Installation drawings)



KWT6312UGS, KWT6322UG, KWT6322UG edt/cs
(Installation drawings)