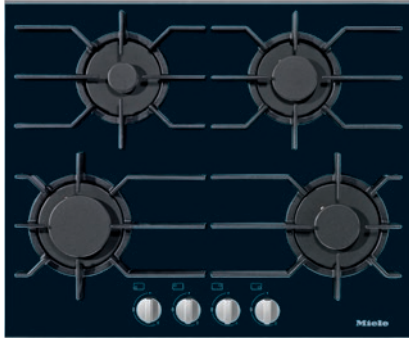


KM 3010  
Gas hob  
with 4 burners

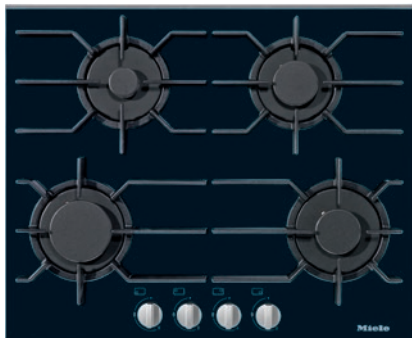


- Simple controls -single-handed operation via rotary dial control
- Elegant design – 626 mm wide gas on glass hob
- Versatile – 4 burners
- Extremely safe – GasStop function
- Easy cleaning – dishwasher-safe ComfortClean pot rests

EAN: 4002515055830 / Material number: 09101190 / Old Material Number: 26301050GB

<b>Heating type</b>	
Heating type	Gas
<b>Construction type</b>	
Independent of cooker	•
<b>Design</b>	
Ceramic surface colour	Black
Cast iron pot rests (matt black enamelled)	•
Miele logo embossed in stainless steel	•
<b>Cooking zone details</b>	
Number of cooking zones	4
<b>Gas burner power rating</b>	
Small burner in kW	1,00
Medium burner in kW	1,70
Large burner in kW	2,70
<b>1st cooking zone/cooking area</b>	
Position	front left
Type	High-speed burner
<b>2nd cooking zone/cooking area</b>	
Position	rear left
Type	Economy burner
<b>3rd cooking zone/cooking area</b>	
Position	rear right
Type	Standard burner
<b>4th cooking zone/cooking area</b>	
Position	front right
Type	Standard burner
<b>User convenience</b>	
Operation via knobs	•
Electronic ignition with single-hand operation	•
<b>Cleaning and care</b>	
Dishwasher-proof pot rests	•
<b>Safety</b>	
GasStop	•
GasStop & ReStart	•
<b>Technical data</b>	
Dimensions (H x W x D) in mm	54 x 626 x 526
Dimensions in mm (width)	626
Dimensions in mm (height)	54
Dimensions in mm (depth)	526
Cutout dimensions in mm (width) with surface-mounted installation	600
Cutout dimensions in mm (depth) with surface-mounted installation	500
Casing height incl. connection box in mm	63
Weight in kg	17
Total rated load in kW	7,10
Length of supply lead in m	1,4
Position of gas connection	Hinten links
Voltage in V	220-240
Frequency in Hz	50-60

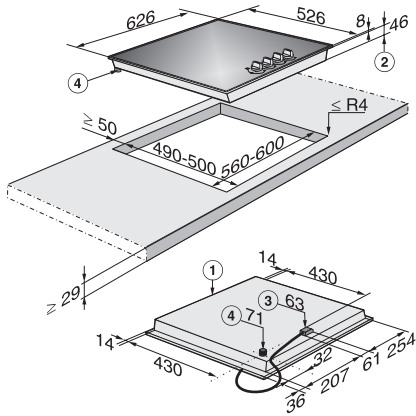
KM 3010  
Gas hob  
with 4 burners



EAN: 4002515055830 / Material number: 09101190 / Old Material Number: 26301050GB

Accessories included	
Mains cable	No
Jets for liquid gas	•

KM 3010  
Gas hob  
with 4 burners



KM 3010 G (Installation drawing)

1. Front, 2. Casing depth, 3. Mains connection box with mains connection cable L = 2000 mm, 4. Gas connection R 1/2" – ISO 7-1 (DIN EN 10226)