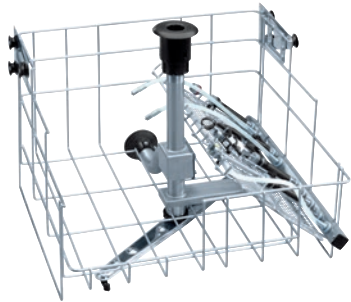


O 176/1

Upper basket

for the optimum loading of instruments for MIS, arthroscopy and urology.



- Equipped w/ 10 holding options & integrated magnetic spray arm
- Left inserts, right hollow instruments (up to 500 mm)
- Magnet for use with spray arm sensors for PG 8535, PG 8536
- Powder dispensing not possible
- Equipped with connection for hot air drying

EAN: 4002514556208 / Material number: 07333070 / Old Material Number: 69117602D

Product category	
Washer-disinfectors, medical	•
Machine affiliation	
PG 8535	•
PG 8536	•
Product category	
Injector basket	•
Upper basket	•
Product properties	
Material	Stainless steel
Colour	Stainless Steel
Area of application	
Reprocessing of MIS instruments	•
Capacity	
Lumened instruments [number]	10
Standard electrical connection	
Number of phases	0
Voltage in V	0
Frequency in Hz	0
Total rated load in kW	0,00
Fuse rating in A	0
Dimensions and weight	
External dimensions, net height in mm	423
External dimensions, net width in mm	529
External dimensions, net depth in mm	529
External dimensions, gross height in mm	540
External dimensions, gross width in mm	270
External dimensions, gross depth in mm	525
Net weight in kg	2,40
Gross weight in kg	3,30
Companion pack	
E 442 irrigation sleeve, Ø 11 mm, length 121 mm, with cap Ø 6 mm [number]	2
E 448 silicone hose with female Luer Lock adapter [number]	2
E 452 injector nozzle 2.5 x 60 mm [number]	1
E 453 injector nozzle 4 x 110 mm with retaining clip [number]	1
E 454 injector nozzle for trocar sleeves 10–15 mm [number]	1
Spray jet, Ø 2.5 mm [number]	2
Spray jet, Ø 4 mm [number]	4
Funnel [number]	4