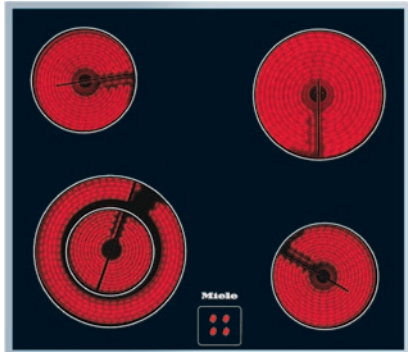


KM 6012

Oven-controlled electric hob unit

with 4 cooking zones incl. 1 Vario zone for extra cooking convenience.



- Attractive design – 574 mm wide with all-round frame
- Particularly versatile – 4 cooking zones incl. 1 Vario zone
- Safe – residual heat indicator for every cooking zone

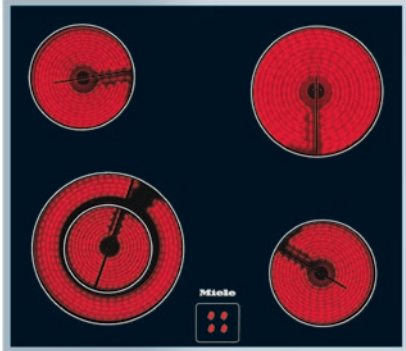
EAN: 4002514232195 / Material number: 06910440 / Old Material Number: 26601250D

Heating type	
Heating type	Electric
Construction type	
Combined with cooker	•
Design	
Elegant glass ceramic surface	•
Ceramic surface colour	Black
Stainless steel frame	•
Print design	Basalt grey decor
Surface-mounted installation	•
Cooking zone details	
Number of cooking zones	4
1st cooking zone/cooking area	
Position	front left
Type	Dual-circuit ring
Size in mm	Ø 120 / Ø 210
Max. rating in W	750/2200
2nd cooking zone/cooking area	
Position	rear left
Type	Single-circuit ring
Size in mm	Ø 145
Max. rating in W	1200
3rd cooking zone/cooking area	
Position	rear right
Type	Single-circuit ring
Size in mm	Ø 180
Max. rating in W	1800
4th cooking zone/cooking area	
Position	front right
Type	Single-circuit ring
Size in mm	Ø 145
Max. rating in W	1200
User convenience	
Extended cooking zone	•
Display colour	Red
Operation via knobs	•
Efficiency and sustainability	
Residual heat utilisation	•
Cleaning and care	
Easy to clean ceramic glass	•
Safety	
Residual heat indicator	•
Technical data	
Dimensions (H x W x D) in mm	41 x 574 x 504
Dimensions in mm (width)	574
Dimensions in mm (height)	41
Dimensions in mm (depth)	504
Cutout dimensions in mm (width) with surface-mounted installation	560

KM 6012

Oven-controlled electric hob unit

with 4 cooking zones incl. 1 Vario zone for extra cooking convenience.

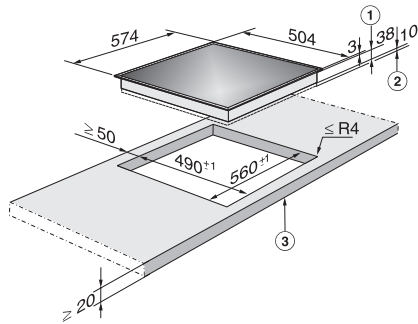


EAN: 4002514232195 / Material number: 06910440 / Old Material Number: 26601250D

Cutout dimensions in mm (depth) with surface-mounted installation	490
Weight in kg	8
Total rated load in kW	6,40-7,00
Voltage in V	230-240
Frequency in Hz	50-60
Accessories included	
Razor-blade scraper	•
Mains cable	Yes

KM 6012

Oven-controlled electric hob unit
with 4 cooking zones incl. 1 Vario zone for extra cooking convenience.



KM6012, KM6013, KM6013LPT (installation drawing)

1) Building-in depth, 2) Gap for fixing elements and connection cables, 3) Front