

HR 1422-3 I

30" Range

Fully electric model with induction cooktop and DirectSelect controls



- Turn dial operation with display – DirectSelect
- State-of-the-art cooktop technology – four induction cooking zones
- Fast heating time and even heat distribution – TwinPower
- Minimal cleaning effort – Self-cleaning
- Easy opening & closing – noise and vibration absorbers

EAN: 4002516755906 / Material number: 12298850 /
Old Material Number: 25142281USA

Heating type	
Electric/Induction	•
Cooktop	Induction
Design	
Range	•
Appliance width in inches	30
Operating modes	
Surround	•
Maxi Broil	•
Convection Bake	•
Convection Roast	•
Bake	•
Design	
Appliance color	Clean Touch Steel
Oven display	EasyControl
Convenience features	
Precise temperature control	75-575°F
Cooktop features	
Heating type	Induction
Number of induction cooking zones	4
Number of cooking zones with Booster function	4 cooking zones
Number of cooking zones with TwinBooster	2 cooking zones
Power level display	1 - 9
Number of cooking zones with keeping warm function	4 rings
Vario zone	4 rings
Residual heat indicator	•
User convenience	
Precision knobs	•
Automatic switch-off	•
Time of day display	•
Minute minder	•
Programmable cooking time	•
Individual settings	•
Appliance door	
CleanGlass door	•
Door contact switch	•
SoftClose oven door/ SoftOpen	•
Oven compartment	
Oven cavity volume in cu. ft. (l)	4.59 (130) ft ³ (l)
Number of oven shelf levels	6
No. of halogen lamps	double
TwinPower hot air fans	•
Efficiency and sustainability	
Rapid PreHeat	•
Cleaning convenience	
Stainless-steel front with partial Clean Touch Steel finish	•
Oven with self-cleaning program	•
Unheated catalyzer	•

HR 1422-3 I

30" Range

Fully electric model with induction cooktop and DirectSelect controls



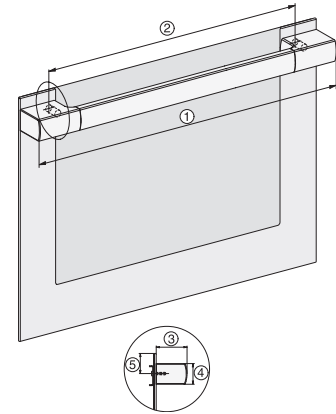
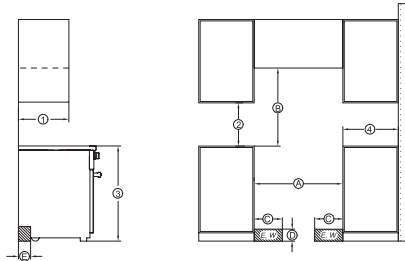
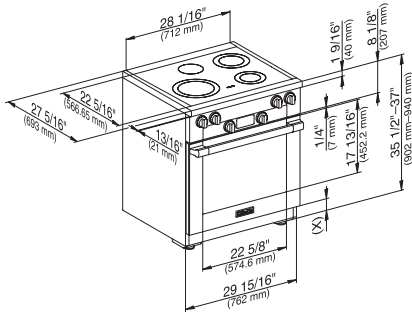
EAN: 4002516755906 / Material number: 12298850 /
Old Material Number: 25142281USA

Catalyzer	unheated
Cooktop surface	Ceramic surface
Safety	
Appliance cooling system and cool touch front	•
Safety cut-out	•
System lock	•
Door contact switch	•
Door lock during self cleaning	•
Technical data	
Appliance height min in in.(mm)	35 5/8 (902)
Dimensions (depth) in in. (mm) with bullnose	27 3/4 (702)
Appliance height max in in.(mm)	37 1/8 (940)
Frequency in Hz	60
Appliance width in in. (mm)	30 (762)
Power Rating in V	120
Voltage in V	240/208
Fuse rating in A	50
Number of phases	1
Standard accessories	
Self Clean ready baking and roasting rack	1
Self clean ready baking and roasting racks with rail system	1
Side racks self clean ready	1

HR 1422-3 I

30" Range

Fully electric model with induction cooktop and DirectSelect controls



HR1421, HR1421-3, HR1422-3 i (installation drawing)

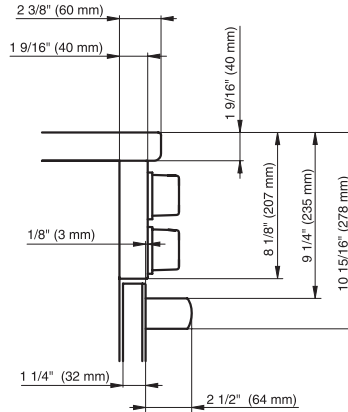
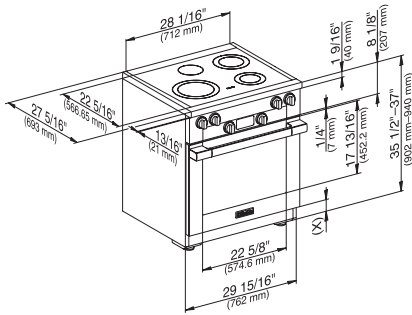
E = Electric connection

HR1422-3i, HR1622-3i, HR1432-3i, HR1632-3i – Installation drawing

② Maximum depth of top cabinet, ② Minimum distance to bottom edge of top cabinet, ② Distance from the floor to cooktop surface, ② Minimum distance to combustible surfaces, , E = Electric connection, W = Water connection, (A) Width of cabinet opening, (B) Minimum distance between the top of the cooking area and the bottom of an unprotected combustible surface, Minimum distance to a protected combustible surface or when a Miele Ventilation Hood is installed. For all other, Hoods please consult the manufacturer's specifications for required distances., (C) Maximum connection width right and left, (E) Maximum connection height

HR11xx-3, HR14xx-3, HR16xx-3i, HR17xx-3, HR19xx-3 installation drawings

30", ② 20 3/4" / 527,6 mm, ② 16 5/8" / 422,6 mm, ② 2 1/2" / 64 mm, ② 1 11/16" / 43 mm, ② 1 11/16" / 42,5 mm, , 36", ② 28 9/16" / 725 mm, ② 22 5/8" / 575 mm, ② 2 1/2" / 64 mm, ② 1 11/16" / 43 mm, ② 1 11/16" / 42,5 mm



HR1421-3, HR1422-3i (installation drawing)

(x) = Toe-kick height adjustment 5" – 6 1/2" (127 mm – 165.1 mm)

HR1421-3, HR1422-3i, HR1432-3i (installation drawing)