

DGC 7470

30" Compact Combi-Steam Oven XL

for steam cooking, baking, roasting with networking + BrilliantLight.



- Large clear-text display with sensor controls – DirectSensor
- Perfect results – DualSteam technology
- Crispy on the outside, succulent on the inside – Combi-Steam
- Convenient operation – water container behind lift-up panel
- Easy cleaning – PerfectClean stainless steel oven compartment

EAN: 4002516976486 / Material number: 11987060 /
Old Material Number: 23747022USA

General information	
Model number	DGC 7470
Manufacturer material number	11987060
EAN number	4002516976486
Marketing class	Gold
Construction type and design	
VitroLine	•
Appliance type and design	
Combi steam oven	•
Appliance color	Obsidian Black
Convenience features	
Rapid PreHeat	•
Preheating	•
External steam generation	•
Climate sensor	•
Individual humidity settings in combination cooking	•
Menu cooking without transfer of taste	•
Miele Mix & Match	•
Automatic programs with individual setting of the cooking result	•
Keep-warm function	•
Crisp Function	•
Operating modes	
Convection	•
Convection Roast	•
Surround	•
Steam cooking	•
Combi-Steam	•
Combi-Steam with Convection Bake	•
Combi-Steam with Surround	•
Combi-Steam with Maxi Broil	•
Sous-vide	•
Intensive	•
Convection Broil	•
Maxi Broil	•
Broil	•
Broiling operating modes	•
Browning	•
Bake	•
Humidity Plus	•
Defrost	•
Roast with moisture	•
Reheating	•
Warm-up cookware	•
Automatic programs	•
Country-specific automatic programs	•
Special Modes	•

DGC 7470

30" Compact Combi-Steam Oven XL

for steam cooking, baking, roasting with networking + BrilliantLight.



EAN: 4002516976486 / Material number: 11987060 /
Old Material Number: 23747022USA

User convenience	
Networking with Miele@home	•
Display	DirectSensor
Symbols on control panel	•
SoftOpen	•
SoftClose	•
MultiLingua	•
Motorized lift-up control panel with SoftClose	•
Quantity-independent cooking	•
Steam cooking on up to 3 levels at the same time	•
Automatic menu cooking	•
Steam reduction before end of programme	•
Timers	•
Time of day display	•
Date display	•
Minute minder	•
Programming start of cooking duration	•
Programming end of cooking duration	•
Programmable cooking time	•
Actual temperature display	•
Desired temperature display	•
Audible signal when desired temperature is reached	•
Default temperature	•
Favorites	•
Sabbath program	•
Individual settings	•
Cleaning convenience	
Stainless steel oven compartment with linen-weave pattern and PerfectClean finish	•
Foldable broil heater element	•
External steam generator	•
Maintenance programs	•
Soak program	•
Rinse program	•
Cavity drying program	•
Quick-release side racks	•
Removable side racks	•
Descaling	•
CleanGlass door	•
Steam technology/water supply	
DualSteam	•
Fresh water container volume in l	1.4
Fresh-water container tank behind motorized lift-up control panel with SoftClose	•
Condensate container behind motorized lift-up control panel with SoftClose	•
DirectWater	No
Drain filter	•

DGC 7470

30" Compact Combi-Steam Oven XL

for steam cooking, baking, roasting with networking + BrilliantLight.

EAN: 4002516976486 / Material number: 11987060 /

Old Material Number: 23747022USA

Safety	
Cooling system with cool touch front	•
Safety shut-off	•
System lock	•
Vapor cooling system	•
Sensor lock	•
Technical data	
Cavity volume in cu.ft (l)	1.7 (48.0)
No. of rack levels	3
Appliance dimensions (W x H x D) in inches (mm)	29 3/4 (757) x 18 7/8 (479) x 22 1/2 (573)
Labeling of rack levels	•
Door hinge side	Bottom
Oven interior lighting	BrilliantLight
Oven mode temperatures in °F (°C)	85-450 °F (30-230 °C)
Niche dimensions (W x H x D) in inches (mm)	28 1/2 (724)-724 x 470- 472 x 610
Niche dimensions (W x H x D) in inches (mm)	28 1/2 (724)-28 1/2 (724) x 18 1/2 (470)-18 5/8 (472) x 24 (610)
Niche width min. in inches (mm)	28 1/2 (724)
Niche width max. in inches (mm)	28 1/2 (724)
Niche width max. in inches (mm)	724
Niche height min. in inches (mm)	18 1/2 (470)
Niche height min. in inches (mm)	470
Niche height max. in inches (mm)	18 5/8 (472)
Niche height max. in inches (mm)	472
Niche depth in in. (mm)	610
Niche depth in in. (mm)	24 (610)
Weight in lbs. (kg)	98 (44.3)
Weight in lbs. (kg)	97.66 (44.3)
Total connected load in kW	2.80-3.70
Power Rating in V	208-240
Usable voltage range in V	240/208
Frequency in Hz	60
Fuse rating in A	20
Number of phases	2
Connection wire with plug	•
Length of power cord in in. (m)	2
Replacing bulbs	Customer Service
Standard accessories	
Universal tray with PerfectClean HUBB 71	1
Wire rack with PerfectClean HBBR 71	1
Removable side racks with PerfectClean (pair)	1
Perforated stainless-steel cooking containers	1
Solid stainless steel cooking containers	1
Descaling tablets	2

DGC 7470

30" Compact Combi-Steam Oven XL

for steam cooking, baking, roasting with networking + BrilliantLight.



EAN: 4002516976486 / Material number: 11987060 /
Old Material Number: 23747022USA

Available display languages

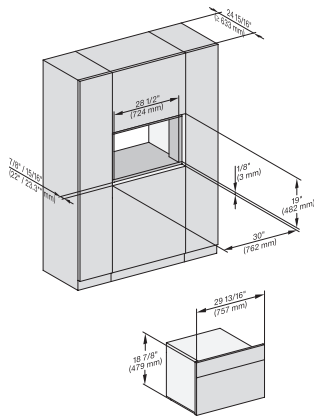
Available display languages via MultiLingua

English, Deutsch, Dansk, English, Suomi, Français, Ελληνικά, Italiano, 日本語, Polski, Português, Română, Ruski, Svenska, Srpski, Slovenčina, Slovenščina, Español, Čeština, Türkçe, Українська, Magyar

DGC 7470

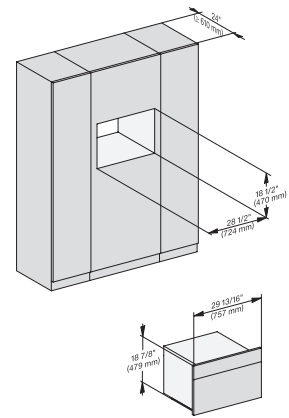
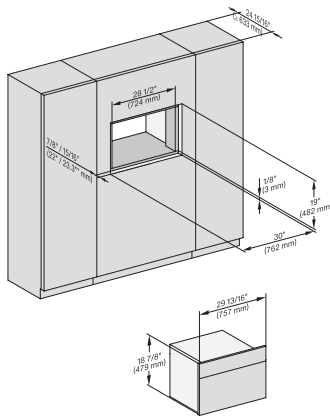
30" Compact Combi-Steam Oven XL

for steam cooking, baking, roasting with networking + BrilliantLight.

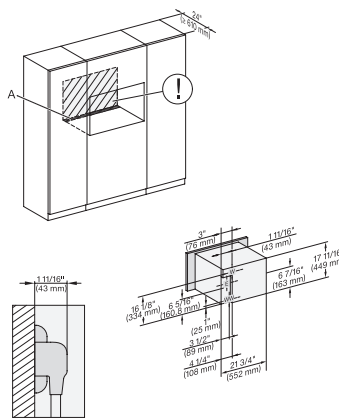
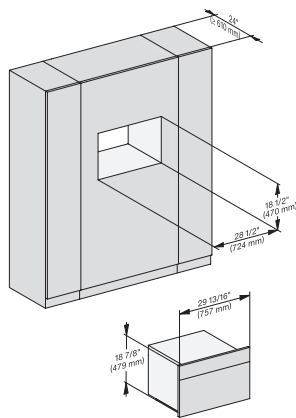


installation 30 inch Flush inset BM30, installation drawing, NA

7/8" – 22* mm – Glas, 15/16" – 23.3** mm – Edelstahl



installation 30 inch Proud BM30, installation drawing, NA



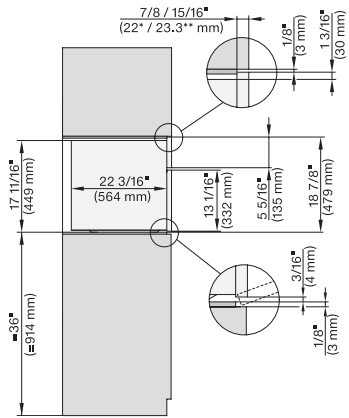
installation 30 inch Proud DGC30 XL, installation drawing, NA

A – Cut-out (1 9/16" x 19 11/16" / 40 mm x 500 mm) in the bottom of the cabinet for power cord and ventilation, – Electrical and water supplies are recommended to be placed in adjacent cabinetry. Additional cabinet depth is required when placing the electrical and water supplies behind the appliance. E = Electric connection, W = Water connection, L = 9' 10 1/8" (3,000 mm), WW = Waste water connection, L = 9' 10 1/8" (3,000 mm), The top end of the drain hose to the inlet of the odor trap must not be higher than 19 11/16" (500 mm).

DGC 7470

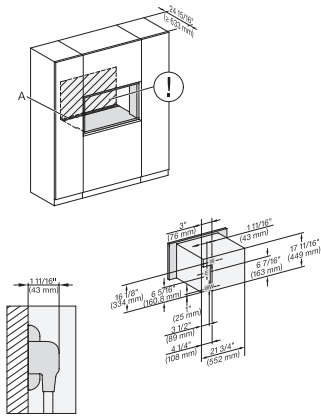
30" Compact Combi-Steam Oven XL

for steam cooking, baking, roasting with networking + BrilliantLight.



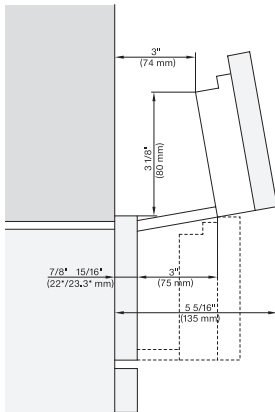
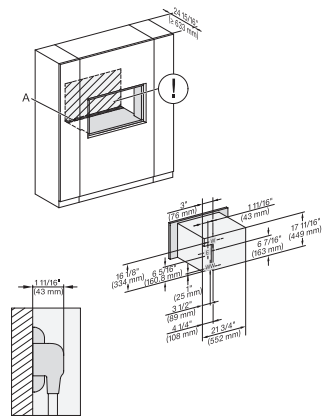
side view, 30 inch Flush inset DGC30_XL, installation drawing, NA

7/8" – 22* mm – Glass, 15/16" – 23.3** mm – Stainless steel



installation 30 inch Flush inset DGC30_XL, installation drawing, NA

A – Cut-out (1 9/16" x 19 11/16" / 40 mm x 500 mm) in the bottom of the cabinet for power cord and ventilation, – Electrical and water supplies are recommended to be placed in adjacent cabinetry., Additional cabinet depth is required when placing the electrical and water supplies behind the appliance., E = Electric connection, W = Water connection, L = 9' 10 1/8" (3,000 mm), WW = Waste water connection, L = 9' 10 1/8" (3,000 mm), The top end of the drain hose to the inlet of the odor trap must not be higher than 19 11/16" (500 mm).



swivel range 30 inch Proud DGC, installation drawing, NA

7/8" – 22* mm – Glas, 15/16" – 23.3** mm – Edelstahl