

DAR 1230-3

36-inch wall-mounted ventilation hood
for perfect combination with Ranges and Rangetops.



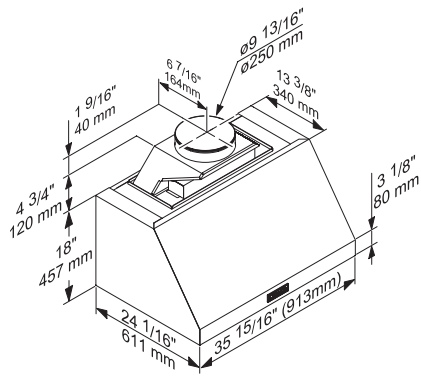
- Professional design – stainless steel hood, 36 (913) in (mm) wide
- Perfect illumination – LED ClearView lighting
- Dishwasher-safe – 3 high-quality stainless steel grease filters
- Safe and easy to clean – Miele CleanCover
- Auto-vent safety sensor – protects against overheating

EAN: 4002516546948 / Material number: 11898170 / Old Material Number: 28123051USA

| Design | |
|--|--------------------|
| Wall ventilation hood | • |
| Required accessories | |
| Blower | • |
| Duct cover | • |
| Operating modes | |
| Recirculated mode | Can be retrofitted |
| External operation possible | • |
| User convenience | |
| Rotary knob | • |
| Power levels (number excl. Intensive) | 3 |
| Temperature sensor | • |
| CleanCover | • |
| Cleaning convenience | |
| Dishwasher-safe grease collection channel | • |
| Filter system | |
| Number of dishwasher-safe stainless steel baffle filters | 3 |
| Lighting | |
| LED | • |
| Number x W | 3 x 3 W |
| Fan option (buy separately) | |
| DRIB XL internal blower in CFM (m ³ /h) | 1189 |
| DRIB XXL internal blower in CFM (m ³ /h) | 1869 |
| DREB XL external blower in CFM (m ³ /h) | 1189 |
| DREB XXL external blower in CFM (m ³ /h) | 1869 |
| Technical data | |
| Canopy width in in.(mm) | 36 (913) |
| Canopy width in inches | 35 15/16 |
| Canopy height in in.(mm) | 18 (457) |
| Canopy depth in in.(mm) | 24 1/8 (611) |
| Net weight in lbs. (kg) | 73 (33.0) |
| Length of electrical wire in ft (m) | 2 (0.8) |
| Standard plug fitted | • |
| Total connected load in kW | 0.80 |
| Voltage in V | 120 |
| Fuse rating in A | 15 |
| Number of phases | 1 |
| Installation note | |
| Vent connection at top | • |
| Diameter of vent connection in in.(mm) | 9 7/8 (250) |
| Standard accessories | |
| Non-return flap | • |

DAR 1230-3

36-inch wall-mounted ventilation hood
for perfect combination with Ranges and Rangetops.



DAR1230 (installation drawing)

1) Installation area