

DAR 1220-3
30-inch wall-mounted ventilation hood
for perfect combination with Ranges and Rangetops.



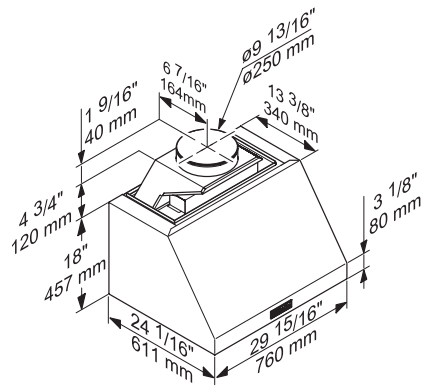
- Professional design – stainless steel hood, 30 (760) in (mm) wide
- Perfect illumination – LED ClearView lighting
- Dishwasher-safe – 2 high-quality stainless steel grease filters
- Safe and easy to clean – Miele CleanCover
- Auto-vent safety sensor – protects against overheating

EAN: 4002516546931 / Material number: 11898130 / Old Material Number: 28122051USA

Design	
Wall ventilation hood	•
Required accessories	
Blower	•
Duct cover	•
Operating modes	
Recirculated mode	Can be retrofitted
External operation possible	•
User convenience	
Rotary knob	•
Power levels (number excl. Intensive)	3
Temperature sensor	•
CleanCover	•
Cleaning convenience	
Dishwasher-safe grease collection channel	•
Filter system	
Number of dishwasher-safe stainless steel baffle filters	2
Lighting	
LED	•
Number x W	2 x 3 W
Fan option (buy separately)	
DRIB XL internal blower in CFM (m ³ /h)	1189
DREB XL external blower in CFM (m ³ /h)	1189
Technical data	
Canopy width in in.(mm)	30 (760)
Canopy width in inches	29 15/16
Canopy height in in.(mm)	18 (457)
Canopy depth in in.(mm)	24 1/8 (611)
Net weight in lbs. (kg)	60 (27.0)
Length of electrical wire in ft (m)	2 (0.8)
Standard plug fitted	•
Total connected load in kW	0.80
Voltage in V	120
Fuse rating in A	15
Number of phases	1
Installation note	
Vent connection at top	•
Diameter of vent connection in in.(mm)	9 7/8 (250)
Standard accessories	
Non-return flap	•

DAR 1220-3

30-inch wall-mounted ventilation hood
for perfect combination with Ranges and Rangetops.



DAR1220 (Installation drawing)

1) Installation area