

DGC 7775

30" Compact Combi-Steam Oven XL with DirectWater plus
for steam cooking, baking, roasting with roast probe + menu cooking.



- Large touch display with proximity sensor – M Touch + MotionReact
- Perfect results – DualSteam technology
- Crispy on the outside, succulent on the inside – Combi-Steam
- Miele@home – network-enabled WiFi appliance + Miele Mix & Match
- Easy cleaning – PerfectClean stainless steel oven compartment

EAN: 4002516487821 / Material number: 11875760 / Old Material Number: 23777542USA

Construction type and design	
Color	Clean Touch Steel
Combi-steam oven	•
ContourLine	•
Convenience features	
Rapid PreHeat	•
Preheating	•
External steam generation	•
Climate sensor	•
Individual humidity settings in combination cooking	•
Menu cooking without transfer of taste	•
Miele Mix & Match	•
Roast probe	wired
Automatic programs with individual setting of the cooking result	•
Keep-warm function	•
Crisp Function	•
Operating modes	
Defrost	•
MasterChef automatic programs	•
Country-specific automatic programs	•
Combi-Steam	•
Combi cooking	•
Combi-Steam with Convection Bake	•
Combi-Steam with Surround	•
Combi-Steam with Maxi Broil	•
Steam cooking	•
Sous-vide	•
Reheating	•
Roast with moisture	•
Maxi Broil	•
Broil	•
Convection Bake	•
Convection Roast	•
Intensive	•
Humidity Plus	•
Surround	•
Browning	•
Bake	•
Convection Broil	•
Warm-up cookware	•
Special Modes	•
User convenience	
Networking with Miele@home	•
Display	M Touch
Clear text on control panel	•
MotionReact proximity sensor	•
MotionReact: Light comes on when movement is detected	•
MotionReact: Display comes on when movement is detected	•

DGC 7775

30" Compact Combi-Steam Oven XL with DirectWater plus
for steam cooking, baking, roasting with roast probe + menu cooking.



EAN: 4002516487821 / Material number: 11875760 / Old Material Number: 23777542USA

MotionReact: Audible signal to acknowledge when movement is detected	•
MotionReact: Detection of cabinet fronts	•
SoftOpen	•
SoftClose	•
ComfortSwivel handle	•
Multilingua	•
MyMiele	•
Show me how	•
Motorized lift-up control panel with SoftClose	•
Quantity-independent cooking	•
Steam cooking on up to 3 levels at the same time	•
Automatic menu cooking	•
Steam reduction before end of programme	•
Polyphonic acoustic signals	•
Time of day display	•
Date display	•
Minute minder	•
Programming start of cooking duration	•
Programming end of cooking duration	•
Programmable cooking time	•
Actual temperature display	•
Desired temperature display	•
Audible signal when desired temperature is reached	•
Default temperature	•
Favorites	•
Sabbath program	•
Individual settings	•
Cleaning convenience	
Clean Touch Steel surface	•
Stainless steel oven compartment with linen-weave pattern and PerfectClean finish	•
Foldable broil heater element	•
External steam generator	•
Soak program	•
Rinse program	•
Cavity drying program	•
Quick-release side racks	•
Removable side racks	•
Descaling	•
CleanGlass door	•
Steam technology/water supply	
DualSteam	•
DirectWater plus	•
Drain filter	•
Safety	
Cooling system with cool touch front	•
Appliance cooling system and cool touch front	•
Safety shut-off	•
Safety cut-out	•
System lock	•

DGC 7775

30" Compact Combi-Steam Oven XL with DirectWater plus
for steam cooking, baking, roasting with roast probe + menu cooking.

EAN: 4002516487821 / Material number: 11875760 / Old Material Number: 23777542USA

Vapor cooling system	•
Sensor lock	•
Technical data	
Cavity volume in cu.ft (l)	48.0
No. of rack levels	3
Labeling of rack levels	•
Door hinge side	Bottom
Oven interior lighting	BrilliantLight
Oven mode temperatures in °F (°C)	85-450 °F (30-230 °C)
Niche width min. in inches (mm)	28 5/8 (724)
Niche width min. in inches (mm)	724
Niche width max. in inches (mm)	28 5/8 (724)
Niche width max. in inches (mm)	724
Niche height min. in inches (mm)	18 5/8 (470)
Niche height min. in inches (mm)	470
Niche height max. in inches (mm)	18 5/8 (472)
Niche height max. in inches (mm)	472
Niche depth in in. (mm)	610
Niche depth in in. (mm)	24 1/8 (610)
Appliance dimensions (W x H x D) in inches (mm)	29 7/8 (757) x 18 7/8 (479) x 22 5/8 (573)
Appliance width in in. (mm)	29 7/8 (757)
Appliance width in in. (mm)	757
Appliance width in in. (mm)	29 7/8 (757)
Appliance height in in. (mm)	18 7/8 (479)
Appliance height in in. (mm)	479
Appliance height in in. (mm)	18 7/8 (479)
Appliance depth in in. (mm)	22 5/8 (573)
Appliance depth in in. (mm)	573
Appliance depth in in. (mm)	22 5/8 (573)
Weight in lbs. (kg)	101 (45.8)
Weight in lbs. (kg)	100.97 (45.8)
Weight in lbs. (kg)	101 (45.8)
Total connected load in kW	2.80-3.70
Power Rating in V	0
Usable voltage range in V	240/208
Frequency in Hz	60
Fuse rating in A	20
Number of phases	2
Connection wire with plug	•
Length of power cord in in. (m)	2
Length of water inlet hose in ft. (m)	3.0
Length of water inlet hose in ft. (m)	9 (3.0)
Length of water drain hose in ft. (m)	3.0
Length of water drain hose in ft. (m)	9 (3.0)
Replacing bulbs	Customer Service
Standard accessories	
Universal tray with PerfectClean HUBB 71	1
Wire rack with PerfectClean HBBR 71	1
PerfectClean FlexiClip telescopic runners HFC 71 (pair)	1
Wired food probe	1

DGC 7775

30" Compact Combi-Steam Oven XL with DirectWater plus
for steam cooking, baking, roasting with roast probe + menu cooking.



EAN: 4002516487821 / Material number: 11875760 / Old Material Number: 23777542USA

Removable side racks with PerfectClean (pair)	1
Perforated stainless-steel cooking containers	2
Solid stainless steel cooking containers	1
Descaling tablets	2

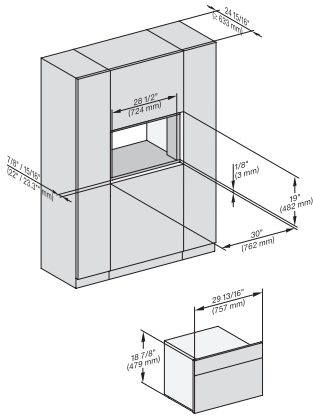
Available display languages

Available display languages via MultiLingua

bahasa malaysia, dansk,
deutsch, english, español,
français, hrvatski, italiano,
magyar, nederlands,
norsk, polski, português,
русский, română,
slovenčina, slovenščina,
srpski, suomi, svenska,
türkçe, українська, čeština,
ελληνικά,

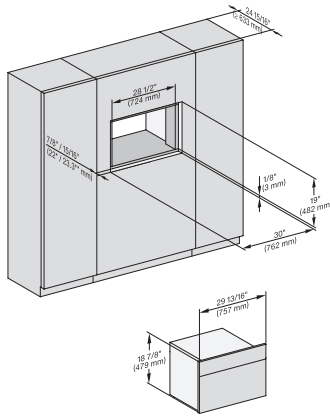
DGC 7775

30" Compact Combi-Steam Oven XL with DirectWater plus
for steam cooking, baking, roasting with roast probe + menu cooking.



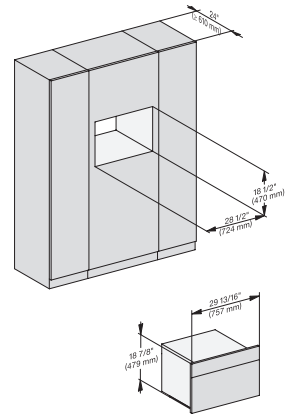
installation 30 inch Flush inset BM30, installation drawing, NA

7/8" – 22" mm – Glas, 15/16" – 23.3** mm – Edelstahl

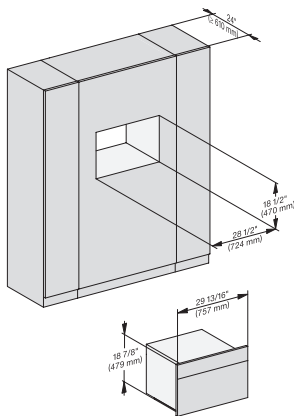


installation 30 inch Flush inset wide front BM30, installation drawing, NA

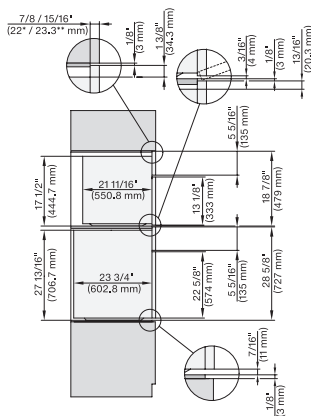
7/8" – 22" mm – Glas, 15/16" – 23.3** mm – Edelstahl



installation 30 inch Proud BM30, installation drawing, NA

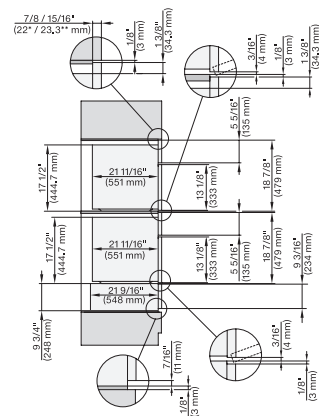


installation 30 inch Proud wide front BM30, installation drawing, NA



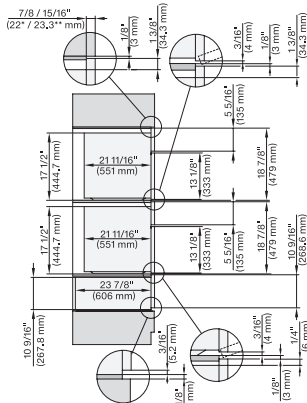
H 6x80 BP, H 6x70 BM, H 6x80-2BP, DGC 7x7x, H 7xxx Combi, Installation drawing, Flush inset, NA

7/8" – 22" mm – Glas, 15/16" – 23.3** mm – Edelstahl



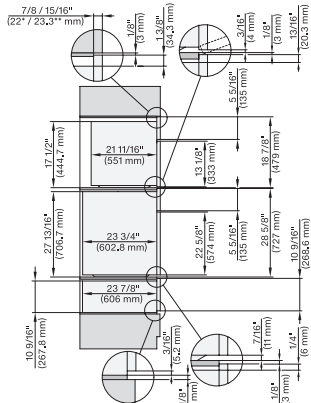
H 6x70 BM, ESW 6x85, DGC7xxx, H7x7x, ESW 7x70 Combi, Installation drawing, Flush inset, Flush inset, NA

7/8" – 22" mm – Glas, 15/16" – 23.3** mm – Edelstahl



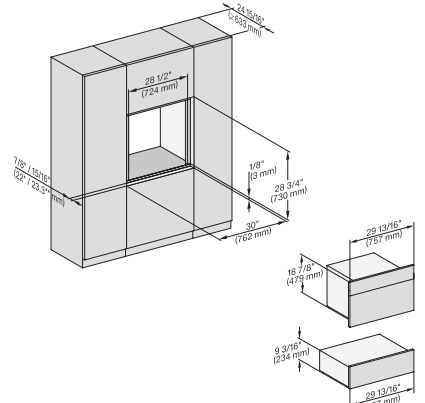
H 6x70 BM, ESW 6x80, DGC7xxx, H7x70, ESW 7x80 Combi, Installation drawing, Flush inset, Flush inset, NA

7/8" – 22" mm – Glas, 15/16" – 23.3** mm – Edelstahl



H 6x80 BP, H 6x70 BM, ESW 6x80, H 6x80-2BP, DGC7xxx, H 7xxx, ESW7x80 Combi, Installation drawing, Flush inset, NA

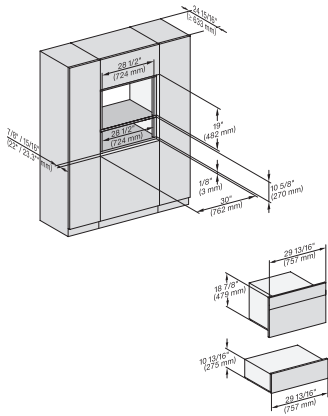
7/8" – 22" mm – Glas, 15/16" – 23.3** mm – Edelstahl



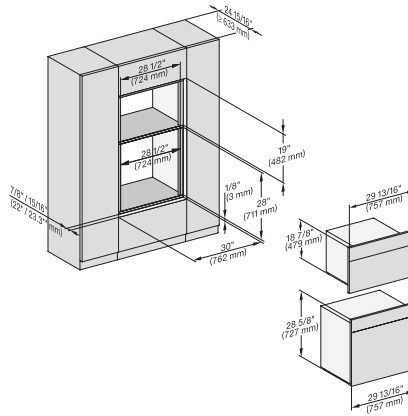
H 6x70 BM, ESW 6x85, DGC7x7x, H7x7x, Exx7x70 Fitting Combi, Installation drawing, Flush inset, NA

DGC 7775

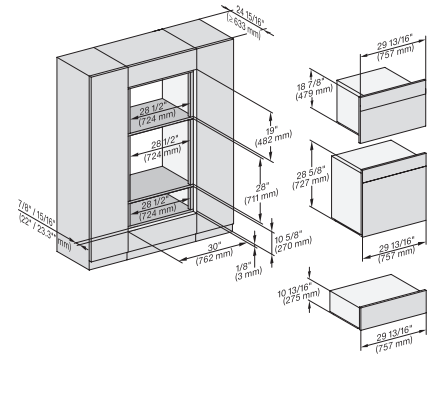
30" Compact Combi-Steam Oven XL with DirectWater plus
for steam cooking, baking, roasting with roast probe + menu cooking.



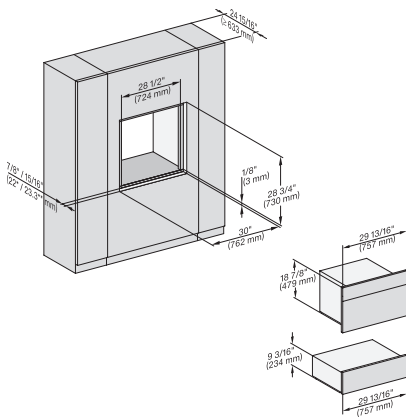
H 6x70 BM, ESW 6x80, DGC7x7x, H7x7x, ESW7x80
Fitting Combi, Installation drawing, Flush inset, NA



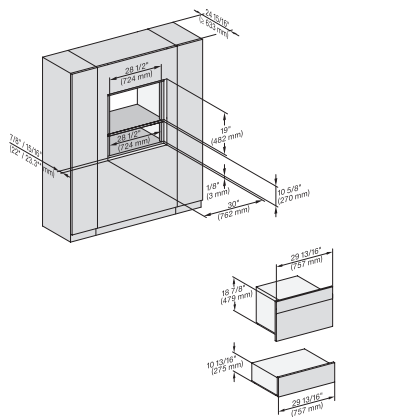
H 6x80 BP, H 6x70 BM, H 6x80-2BP, DGC7x7x, H7xxx
Fitting Combi, Installation drawing, Flush inset, NA



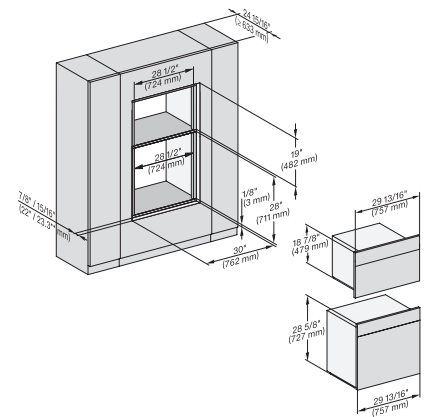
H 6x80 BP, H 6x70 BM, ESW 6x80, H 6x80-2BP,
DGC7xxx, H7xxxBM/BMX/BP/BPX, H2x80BP, ESW7x80,
Installation drawing, NA



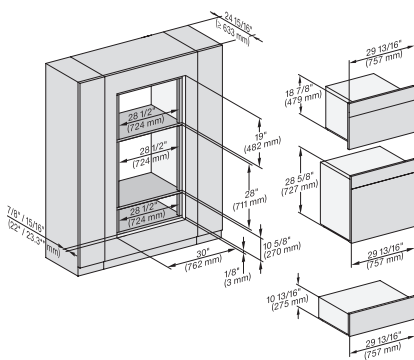
H 6x70 BM, ESW 6x85, DGC 7xxx, H7x70 BM/BMX, ESW
7x70, EVS 7670, Installation drawing, Flush inset, NA



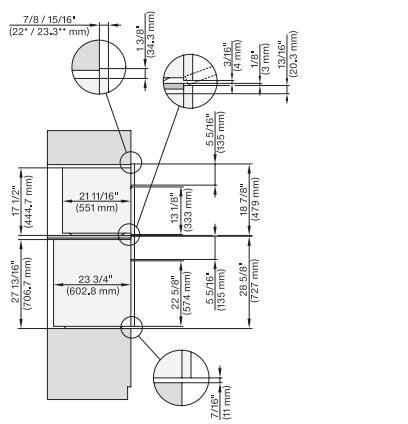
H 6x70 BM, ESW 6x80, DGC7x7x, H7x70 BM/BMX, ESW
7x80 Fitting Combi wide front, Installation drawing, Flush
inset, NA



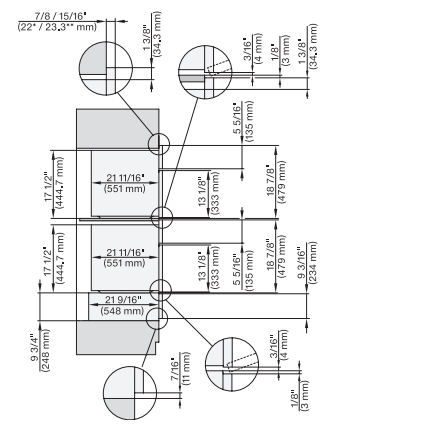
H 6x80 BP, H 6x70 BM, H 6x80-2BP, DGC 7x7x, H7xxx
x BM/BP/BPX, H 2880 PB, Installation drawing, Flush
inset, NA



H 6x80 BP, H 6x70 BM, ESW 6x80, H 6x80-2BP,
DGC7x7x, H7xxxBM/BMX/BP, H2xxxBP, ESW7xxx, NA



H 6x80 BP, H 6x70 BM, H 6x80-2BP, DGC7x7x,
H7x70BM, H7x80BPX, Combi, Installation drawing, Proud,
NA



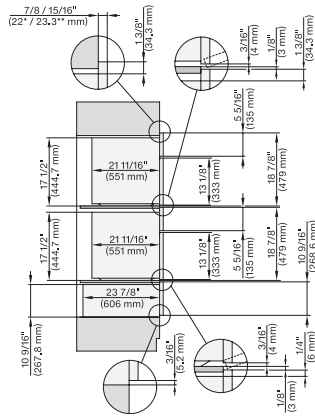
H6x70BM, ESW6x85, DGC7x7x, H7x70BM, ESW7x70,
EVS7670, Combi, Installation drawing, Proud, Flush inset,
NA

7/8" – 22" mm – Glas, 15/16" – 23.3** mm – Edelstahl

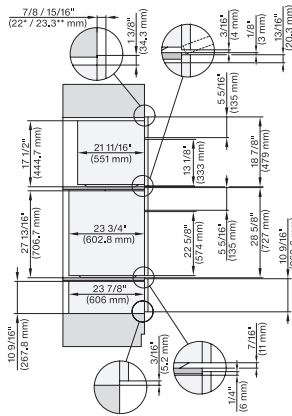
7/8" – 22" mm – Glas, 15/16" – 23.3** mm – Edelstahl

DGC 7775

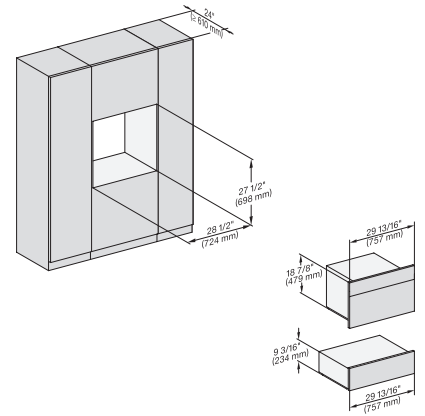
30" Compact Combi-Steam Oven XL with DirectWater plus
for steam cooking, baking, roasting with roast probe + menu cooking.



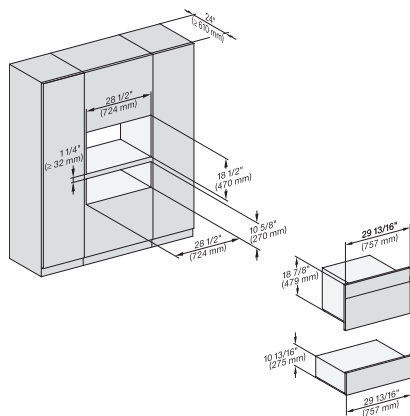
H6x70BM, ESW6x80, DGC7x7(X), H7x70BM, ESW7x80, Combi, Installation drawing, Proud, Flush inset, NA
7/8" - 22" mm - Glas, 15/16" - 23.3" mm - Edelstahl



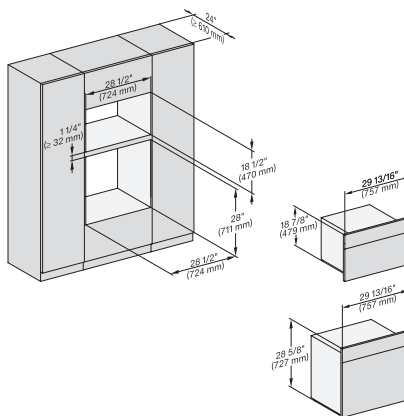
H6x80(2)BP, H6x70BM, ESW6x80, DGC7x7(X), H7x70BM(X), H7x80BP, ESW7x80, Combi, Installation drawing, Proud, Flush inset,
7/8" - 22" mm - Glas, 15/16" - 23.3" mm - Edelstahl



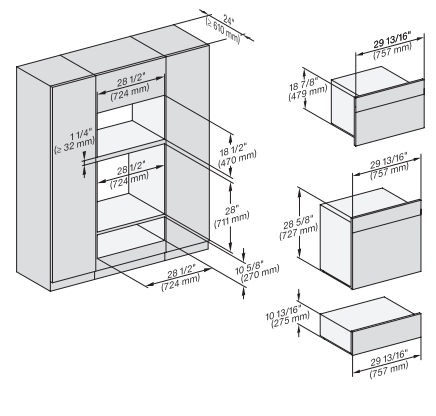
H6x70BM, ESW6x85, DGC7x7(X), H7x70BM(X), ESW7x70, EVS7x70, Fitting Combi, Installation drawing, Proud, NA



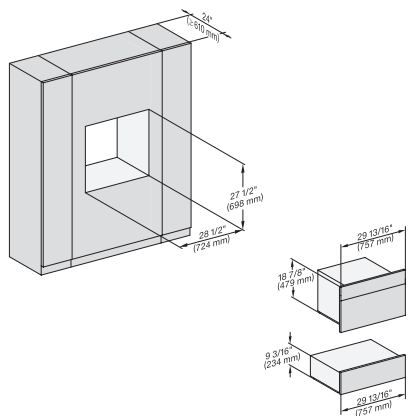
H 6x70 BM, ESW 6x80, DGC7x70(X), H7x70BM, ESW7x80, Fitting Combi, Installation drawing, Proud, NA



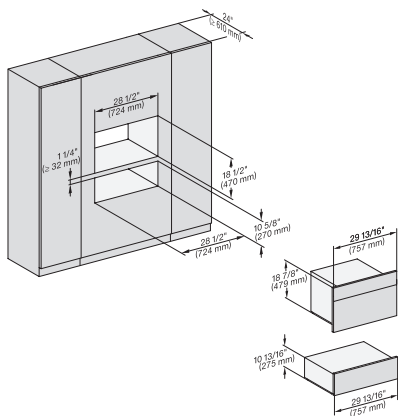
H6x80BP, H6x70BM, H6x80-2BP, DGC7x7(X), H7x70BM, H2x80BP, H7x80BP(X), Fitting Combi, Installation drawing, Proud, NA



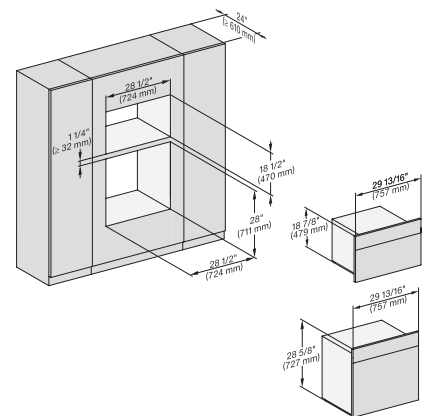
H 6x80 BP, H 6x70 BM, ESW 6x80, H 6x80-2BP, NA7000 Fitting Combi, Installation drawing, Proud, NA
<https://miele-mms.de.miele.net/mms/admin/forward.php#>



H6x70BM, ESW6x85, DGC7x7(X), H7x70BM(X), ESW7x70, EVS7670, Fitting Combi wide front, Installation drawing, Proud, NA



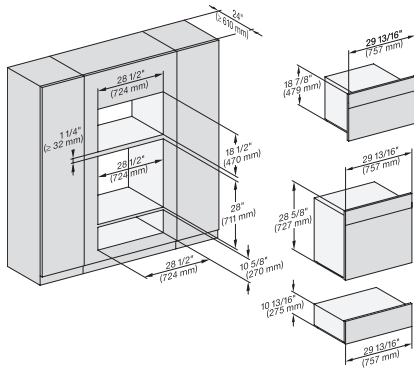
H6x70BM, ESW6x80, DGC7x7(X), H7x70BM(X), ESW7x80, Fitting Combi wide front, Installation drawing, Proud, NA



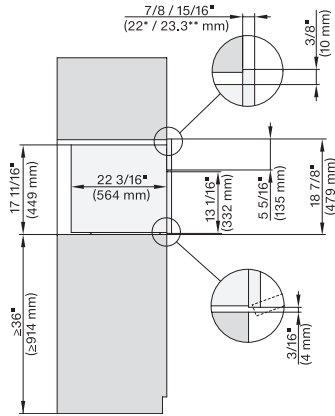
H6x80BP, H 6x70 BM, H 6x80-2BP, NA7000 Fitting Combi wide front, Installation drawing, Proud, NA

DGC 7775

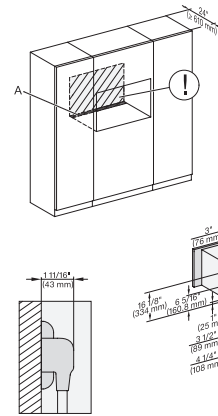
30" Compact Combi-Steam Oven XL with DirectWater plus
for steam cooking, baking, roasting with roast probe + menu cooking.



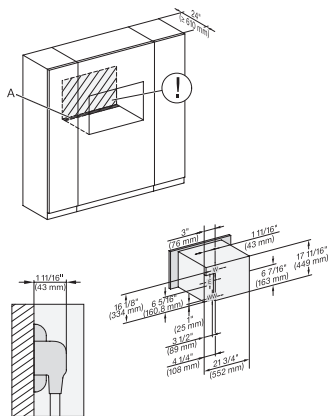
H 6x80 BP, H 6x70 BM, ESW 6x80, H 6x80-2BP, NA7000, Fitting Combi wide front, Installation drawing, Proud, NA



side view 30 inch Proud DGC30 XL, installation drawing, NA
7/8" – 22* mm – Glass, 15/16" – 23.3** mm – Stainless steel

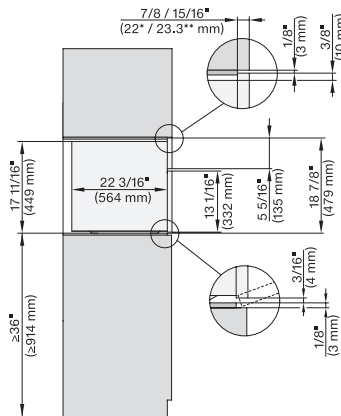


installation 30 inch Proud DGC30 XL, installation drawing, NA
A – Cut-out (1 9/16" x 19 11/16" / 40 mm x 500 mm) in the bottom of the cabinet for power cord and ventilation, – Electrical and water supplies are recommended to be placed in adjacent cabinetry., Additional cabinet depth is required when placing the electrical and water supplies behind the appliance., E = Electric connection



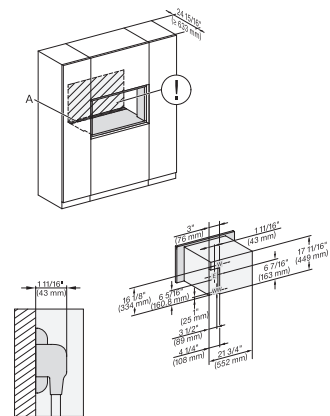
installation 30 inch Proud wide front DGC30 XL, installation drawing, NA

A – Cut-out (1 9/16" x 19 11/16" / 40 mm x 500 mm) in the bottom of the cabinet for power cord and ventilation, – Electrical and water supplies are recommended to be placed in adjacent cabinetry., Additional cabinet depth is required when placing the electrical and water supplies behind the appliance., E = Electric connection



side view, 30 inch Flush inset DGC30 XL, installation drawing, NA

7/8" – 22* mm – Glass, 15/16" – 23.3** mm – Stainless steel

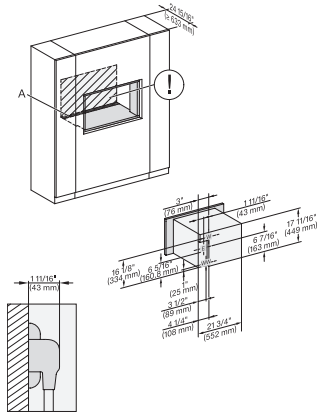


installation 30 inch Flush inset DGC30 XL, installation drawing, NA

A – Cut-out (1 9/16" x 19 11/16" / 40 mm x 500 mm) in the bottom of the cabinet for power cord and ventilation, – Electrical and water supplies are recommended to be placed in adjacent cabinetry., Additional cabinet depth is required when placing the electrical and water supplies behind the appliance., E = Electric connection

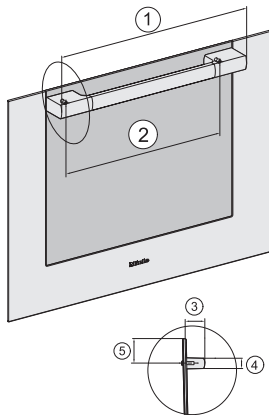
DGC 7775

30" Compact Combi-Steam Oven XL with DirectWater plus
for steam cooking, baking, roasting with roast probe + menu cooking.



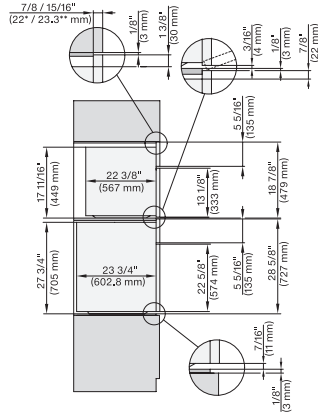
installation 30 inch flush inset wide front DGC30 XL,
installation drawing, NA

A – Cut-out (1 9/16" x 19 11/16" / 40 mm x 500 mm) in the bottom of the cabinet for power cord and ventilation, – Electrical and water supplies are recommended to be placed in adjacent cabinetry., Additional cabinet depth is required when placing the electrical and water supplies behind the appliance., E = Electric connection



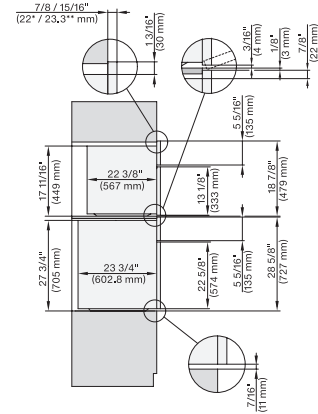
Handle 30" DGC73xx, DGC75xx, DGC77xx, H71xx, H75xx, H77xx, ContourLine – NA7000 - Installation drawing

21 1/8" / 536 mm, 17 1/2" / 444 mm, 2 1/2" / 64 mm, 1 3/8" / 35 mm, 1 7/16" / 37 mm



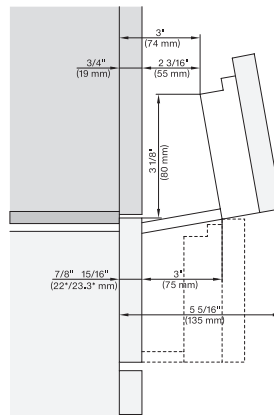
DGC7x7(X), H7x8(X)BP, side view, 30 Zoll, Flush inset, combi, XL, 650

7/8" – 22" mm – Glass, 15/16" – 23.3** mm – Stainless steel



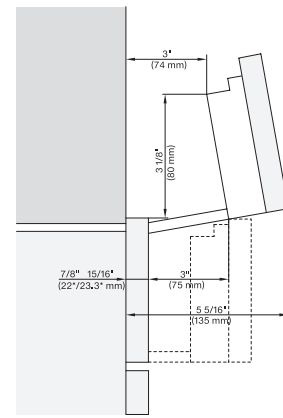
DGC7xxx, H2x80BP, H7x8(X)BP(X), side view, 30 Zoll, Proud, combi, XL, 650

7/8" – 22" mm – Glass, 15/16" – 23.3** mm – Stainless steel



Swivel range Flush inset DGC 30 inch, installation drawing, NA

7/8" – 22" mm – Glas, 15/16" – 23.3** mm – Edelstahl



swivel range 30 inch Proud DGC, installation drawing, NA

7/8" – 22" mm – Glas, 15/16" – 23.3** mm – Edelstahl