

KMR 1124-3 LP EDST/CLST 30-inch RangeTop



- Professional design – 30 (762) in (mm) wide in stainless steel with Clean Touch Steel™ finishing
- Direct control – metal knobs with light ring
- Easy cleaning – ComfortClean dishwasher-safe grates
- Broad performance spectrum – burner w. up to 19,500 BTU (5.7 kW)
- Convenient and safe – automatic re-ignition for all burners

EAN: 4002516537090 / Material number: 11852330 /
Old Material Number: 26112453USA

Heating type	
Fuel type	Gas
Design	
Rangetop	•
Design	
Casing	Stainless steel
Front panel	CleanSteel
Genuine metal knobs	•
Cast iron pot rests (matte black enameled)	•
Cooking zone details	
Number of gas burners	4
1st cooking zone/cooking area	
Position	front left
Type	Ultra high-speed burner
Minimum power output in BTU/hr	1700
Maximum power output in BTU/hr	19500
Max. rating in W	5700
2nd cooking zone/cooking area	
Position	rear left
Type	High-speed burner
Minimum power output in BTU/hr	1200
Maximum power output in BTU/hr	12500
Max. rating in W	3700
3rd cooking zone/cooking area	
Position	rear right
Type	Ultra high-speed burner
Minimum power output in BTU/hr	1700
Maximum power output in BTU/hr	19500
Max. rating in W	5700
4th cooking zone/cooking area	
Position	front right
Type	Ultra high-speed burner
Minimum power output in BTU/hr	1700
Maximum power output in BTU/hr	19500
Max. rating in W	5700
8th cooking zone/cooking area	
True Simmer function	•
User convenience	
Operation via genuine metal knobs with backlit	•
Cleaning convenience	
Dishwasher-safe trivets	•
Single-piece cooktop surround	•
Safety	
Automatic re-ignition	•
Technical data	
Dimensions (width) in in. (mm)	30 (762)
Dimensions (height) in in. (mm)	7 5/8 (191)
Dimensions (depth) in in. (mm) with bullnose	27 1/4 (692)

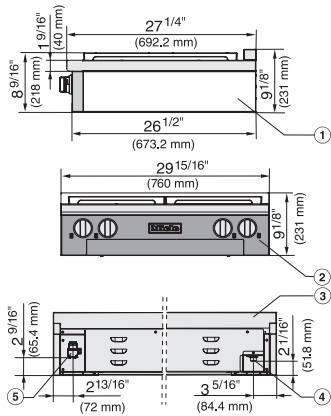
KMR 1124-3 LP EDST/CLST 30-inch RangeTop



EAN: 4002516537090 / Material number: 11852330 /
Old Material Number: 26112453USA

Dimensions (depth) in in. (mm) without bullnose	25 5/8 (650)
Weight in lbs. (kg)	99 (45)
Total output in BTU/hr	71000
Total connected load in kW	20.80
Voltage in V	120
Fuse rating in A	10
Number of phases	1
Power cord length in in. (m)	3 (1.2)

KMR 1124-3 LP EDST/CLST 30-inch RangeTop



KMR1124, KMR1124-1, KMR1124-3 (Installation drawing)

1) Side view, 2) Front view, 3) Rear view, 4) Gas Connection, 5) Electrical connection