

## M 2241 SC

Built-in microwave oven, 24" width  
with sensor controls on the side for convenient operation.



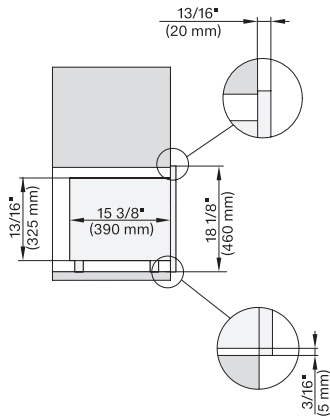
- 7-segment display with sensor controls – EasySensor
- Perfect defrosting and cooking – Automatic Programs
- Food remains at serving temperature – keep warm function
- Compact 0.92 cu. ft. oven capacity
- Popcorn and drinks at the touch of a button

EAN: 4002516540335 / Material number: 11845640 /  
Old Material Number: 24224120USA

|   |   |
|---|---|
| <b>Construction type and design</b>             |   |
| Color   | Obsidian black                                |
| <b>Construction type and design</b>             |   |
| Built-in microwave oven                         | •   |
| Neutral design                                  | •   |
| SideControl                                     | •   |
| <b>Operating modes</b>                          |   |
| MasterChef automatic programs                   | •   |
| <b>User convenience</b>                         |   |
| Display   | EasySensor                                    |
| Drinks functions                                | •   |
| Time of day display                             | •   |
| Programmable cooking time                       | •   |
| Minute Plus button                              | •   |
| Individual settings                             | •   |
| <b>Safety</b>                                   |   |
| System lock                                     | •   |
| Safety switch                                   | •   |
| Child lock "Door" in display                    | •   |
| <b>Technical data</b>                           |   |
| Cavity volume in cu.ft (l)                      | 0.92 (26)                                     |
| Appliance dimensions (W x H x D) in inches (mm) | 23 1/2 (595) x 17 7/8 (452)<br>x 15 7/8 (401) |
| Door hinge side                                 | Left  |
| Oven interior lighting                          | 1 LED spot                                    |
| Cavity height in in. (cm)                       | 8 1/4 (20.7)                                  |
| Turntable diameter in in. (cm)                  | 12 7/8 (32.5)                                 |
| Microwave power levels                          | 1-7   |
| Maximum microwave output in W                   | 900   |
| Niche width min. in inches (mm)                 | 22 1/4 (562)                                  |
| Niche width max. in inches (mm)                 | 22 3/8 (568)                                  |
| Niche height min. in inches (mm)                | 17 3/4 (450)                                  |
| Niche height max. in inches (mm)                | 17 7/8 (452)                                  |
| Niche depth in in. (mm)                         | 500   |
| Appliance width in in. (mm)                     | 23 1/2 (595)                                  |
| Appliance height in in. (mm)                    | 17 7/8 (452)                                  |
| Appliance depth in in. (mm)                     | 15 7/8 (401)                                  |
| Weight in lbs. (kg)                             | 40 (18.0)                                     |
| Total connected load in kW                      | 1.4   |
| Power Rating in V                               | 120   |
| Frequency in Hz                                 | 60  |
| Fuse rating in A                                | 10  |
| Number of phases                                | 1   |
| Length of power cord in in. (m)                 | 1.60  |
| <b>Standard accessories</b>                     |   |
| Turntable                                       | 1   |

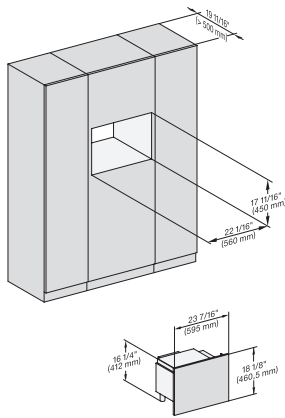
## M 2241 SC

Built-in microwave oven, 24" width with sensor controls on the side for convenient operation.

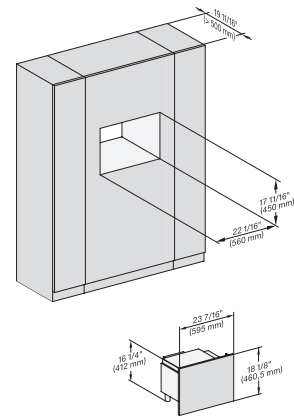


M2241SC, Seitenansicht, 30 Zoll, Proud, Oberschrank – Skizze – NA

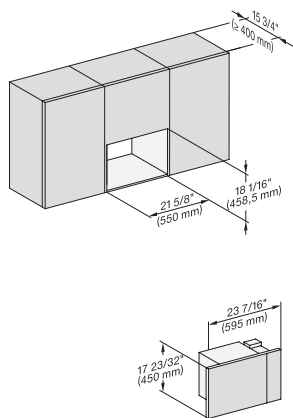
7/8" – 22\* mm – Glass, 15/16" – 23.3\*\* mm – Stainless steel



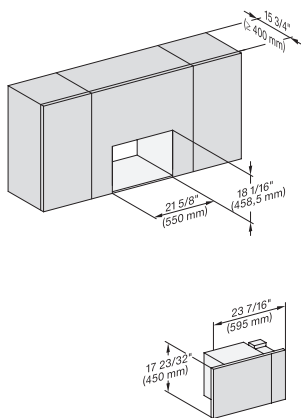
M2241SC, Einbau, 30 Zoll, Proud – Skizze – NA



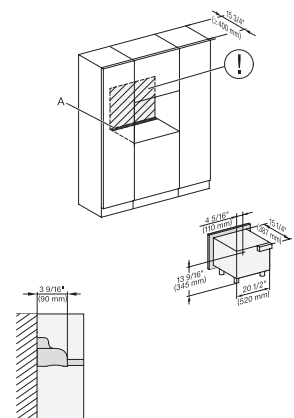
M2241SC, Einbau, 30 Zoll, Proud, breite Front – Skizze – NA



M2241SC, Einbau, 30 Zoll, Proud, Oberschrank – Skizze – NA



M2241SC, Einbau, 30 Zoll, Proud, breite Front, Oberschrank – Skizze – NA

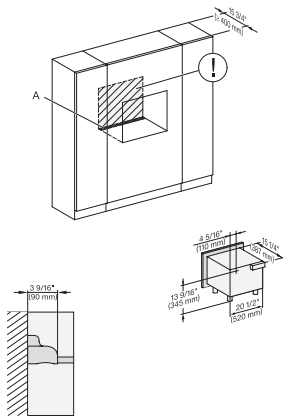


M2241SC, Installation, 30 Zoll, Proud – Skizze – NA

A – Cut-out (4" x 28" / 100 mm x 720 mm) in the bottom of the cabinet for power cord and ventilation, ,  
! – Electrical and water supplies are recommended to be placed in adjacent cabinetry, Additional cabinet depth is required when placing the electrical and water supplies behind the appliance, , E = Electric connection

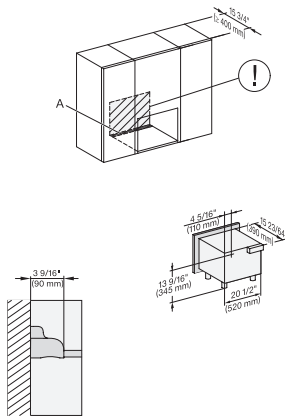
## M 2241 SC

Built-in microwave oven, 24" width with sensor controls on the side for convenient operation.



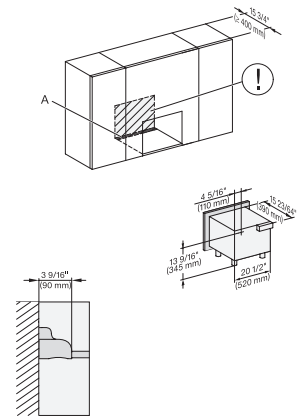
M2241SC, Installation, 30 Zoll, Proud, breite Front – Skizze – NA

A – Cut-out (4" x 28" / 100 mm x 720 mm) in the bottom of the cabinet for power cord and ventilation, ! – Electrical and water supplies are recommended to be placed in adjacent cabinetry, Additional cabinet depth is required when placing the electrical and water supplies behind the appliance., E = Electric connection



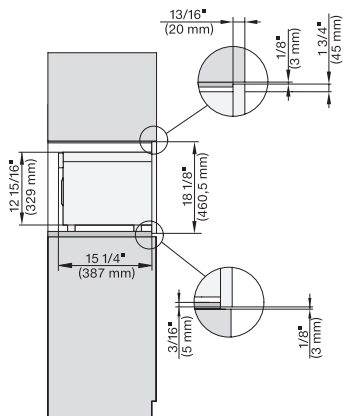
M2241SC, Installation, 30 Zoll, Proud, Oberschrank – Skizze – NA

A – Cut-out (4" x 28" / 100 mm x 720 mm) in the bottom of the cabinet for power cord and ventilation, ! – Electrical and water supplies are recommended to be placed in adjacent cabinetry, Additional cabinet depth is required when placing the electrical and water supplies behind the appliance., E = Electric connection



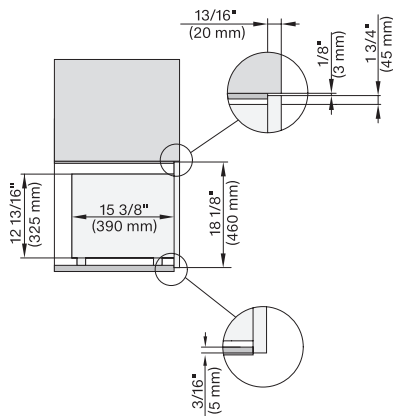
M2241SC, Installation, 30 Zoll, Proud, breite Front, Oberschrank – Skizze – NA

A – Cut-out (4" x 28" / 100 mm x 720 mm) in the bottom of the cabinet for power cord and ventilation, ! – Electrical and water supplies are recommended to be placed in adjacent cabinetry, Additional cabinet depth is required when placing the electrical and water supplies behind the appliance., E = Electric connection



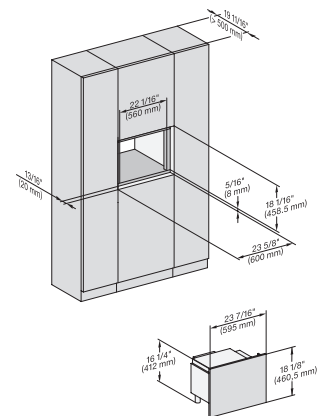
M2241SC, Seitenansicht, 30 Zoll, Flush, inset – Skizze – NA

7/8" – 22\* mm – Glass, 15/16" – 23.3\*\* mm – Stainless steel



M2241SC, Seitenansicht, 30 Zoll, Flush, inset, Oberschrank – Skizze – NA

7/8" – 22\* mm – Glass, 15/16" – 23.3\*\* mm – Stainless steel

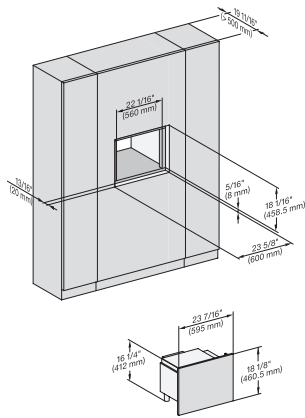


M2241SC, Einbau, 30 Zoll, Flush, inset – Skizze – NA

7/8" – 22\* mm – Glass, 15/16" – 23.3\*\* mm – Stainless steel

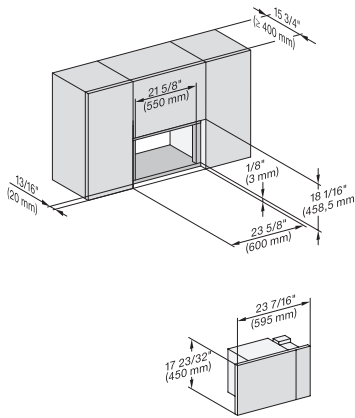
## M 2241 SC

Built-in microwave oven, 24" width  
with sensor controls on the side for convenient operation.

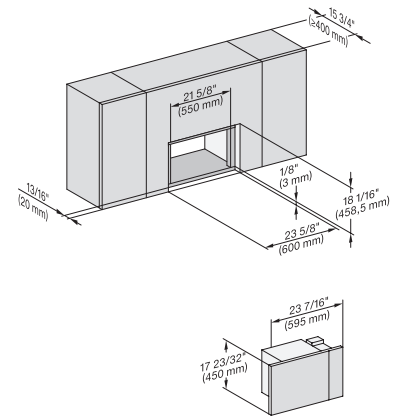


M2241SC, Einbau, 30 Zoll, Flush, inset, breite Front – Skizze – NA

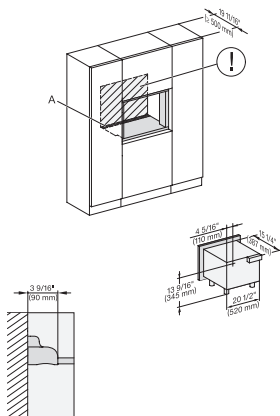
7/8" – 22\* mm – Glass, 15/16" – 23.3\*\* mm – Stainless steel



M2241SC, Einbau, 30 Zoll, Flush, inset, Oberschrank – Skizze – NA

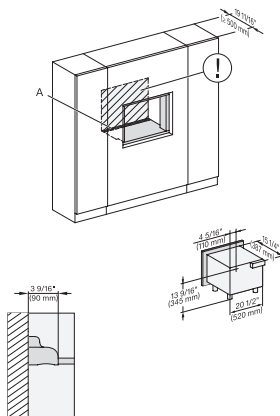


M2241SC, Einbau, 30 Zoll, Flush, inset, breite Front, Oberschrank – Skizze – NA



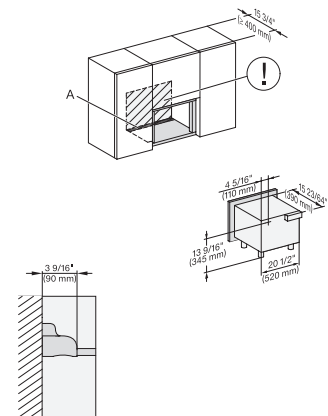
M2241SC, Installation, 30 Zoll, Flush, inset – Skizze – NA

A – Cut-out (4" x 28" / 100 mm x 720 mm) in the bottom of the cabinet for power cord and ventilation, ! – Electrical and water supplies are recommended to be placed in adjacent cabinetry, Additional cabinet depth is required when placing the electrical and water supplies behind the appliance., , E = Electric connection



M2241SC, Installation, 30 Zoll, Flush, inset, breite Front – Skizze – NA

A – Cut-out (4" x 28" / 100 mm x 720 mm) in the bottom of the cabinet for power cord and ventilation, ! – Electrical and water supplies are recommended to be placed in adjacent cabinetry, Additional cabinet depth is required when placing the electrical and water supplies behind the appliance., , E = Electric connection

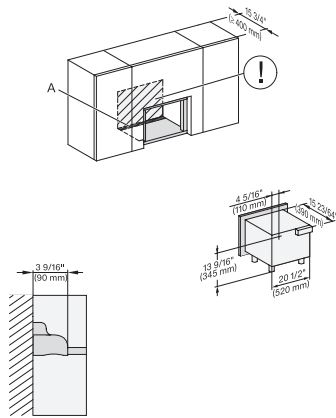


M2241SC, Installation, 30 Zoll, Flush, inset, Oberschrank – Skizze – NA

A – Cut-out (4" x 28" / 100 mm x 720 mm) in the bottom of the cabinet for power cord and ventilation, ! – Electrical and water supplies are recommended to be placed in adjacent cabinetry, Additional cabinet depth is required when placing the electrical and water supplies behind the appliance., , E = Electric connection

## M 2241 SC

Built-in microwave oven, 24" width  
with sensor controls on the side for convenient operation.



M2241SC, Installation, 30 Zoll, Flush, inset, breite Front,  
Oberschrank – Skizze – NA

A – Cut-out (4" x 28" / 100 mm x 720 mm) in the bottom  
of the cabinet for power cord and ventilation, ! – Electrical  
and water supplies are recommended to be placed in  
adjacent cabinetry, Additional cabinet depth is required  
when placing the electrical and water supplies behind the  
appliance., , E = Electric connection