

H 7780 BP2

30" double oven

in a combinable design with wireless precision probe.



- Large touch display with proximity sensor – M Touch + MotionReact
- Achieve perfect results with ease – Automatic programs
- Minimal cleaning effort – Self Clean and Self Clean ready
- Beautifully light dough and browned crusts – Moisture Plus
- Network-enabled WiFi appliance – Miele@home

EAN: 4002516487432 / Material number: 11805570 /
Old Material Number: 22778047USA

Design	
Appliance color	Clean Touch Steel
Construction type and design	
Built-in wall oven	•
ContourLine	•
Convenience features	
Rapid PreHeat	•
Roast probe	Wireless precision food probe
Keep-warm function	•
Crisp Function	•
Operating modes	
Convection Bake	•
Convection Roast	•
Surround	•
Moisture Plus	•
Moisture Plus with AutoRoast	•
Moisture Plus with Convection Bake	•
Moisture Plus with Intensive	•
Moisture Plus with Surround	•
Intensive Bake	•
Auto roast	•
Convection Roast	•
Maxi Broil	•
Broil	•
Broiling operating modes	•
Browning	•
Bake	•
Slow roast	•
Defrost	•
MasterChef automatic programs	•
Special modes	•
Convenience features	
Precise oven temperature regulation in °F (°C)	85-575 (30-300)
User convenience	
Networking with Miele@home	•
Control panel	M Touch
MultiLingua	•
MotionReact proximity sensor	•
MotionReact: Light comes on when movement is detected	•
MyMiele	•
MotionReact: Display comes on when movement is detected	•
MotionReact: Audible signal to acknowledge when movement is detected	•
Time of day display	•
Date display	•
MotionReact: Detection of cabinet fronts	•

H 7780 BP2

30" double oven

in a combinable design with wireless precision probe.



EAN: 4002516487432 / Material number: 11805570 /

Old Material Number: 22778047USA

Minute minder	•
SoftOpen	•
SoftClose	•
Programmable cooking time	•
Actual temperature display	•
ComfortSwivel handle	•
Default temperatures	•
Favorites	•
Show me how	•
Individual settings	•
Timed bursts of steam	•
Polyphonic acoustic signals	•
Time synchronization	•
Programming start of cooking duration	•
Programming end of cooking duration	•
Audible signal when desired temperature is reached	•
Sabbath program	•
DirectWater plus	•
Efficiency and sustainability	
Residual heat utilization	•
Cleaning convenience	
Clean Touch Steel surface	•
Self-cleaning	•
Catalyzer	•
CleanGlass door	•
Safety	
Appliance cooling system with cool touch front	•
Safety cut-out	•
System lock	•
Door lock during self cleaning	•
Sensor lock	•
Technical data	
Appliance width in in.(mm)	28 3/8 (720)
Cavity volume in cu.ft (l)	4.59 (130)
No. of rack levels	6
Number of shelf levels oven compartment 1	6
Number of shelf levels oven compartment 2	6
Labeling of rack levels	•
Oven interior lighting	2 halogen spots
TwinPower hot air fans	•
Power Rating in V	120
Convertible voltage in V	240/208
Fuse rating in A	50
Number of phases	1
Niche width min. in inches (mm)	28 5/8 (724)
Niche width max. in inches (mm)	28 5/8 (724)
Niche height min. in inches (mm)	51 1/8 (1298)
Niche height max. in inches (mm)	51 1/8 (1298)

H 7780 BP2

30" double oven

in a combinable design with wireless precision probe.



EAN: 4002516487432 / Material number: 11805570 /
Old Material Number: 22778047USA

Niche depth in in. (mm)	24 1/8 (610)
Appliance height in in. (mm)	50 7/8 (1290)
Appliance depth in in. (mm)	23 5/8 (597)
Weight in lbs. (kg)	343.92 (156.0)
Total connected load in kW	10.50
Frequency in Hz	60
Connection wire with plug	•
Length of power cord in in. (m)	1.80
Length of water inlet hose in ft. (m)	1.5

Standard accessories

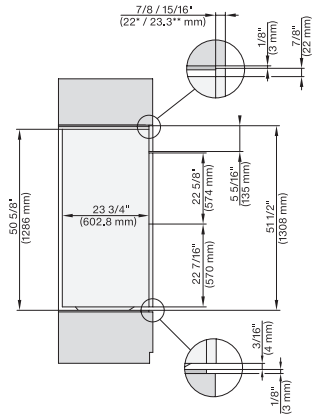
Gourmet baking and AirFry tray, perforated, with PerfectClean HBBL 71	1
Universal tray with PerfectClean	2
Self Clean ready baking and roasting rack	4
Self Clean ready wire rack with rail system	2
Wireless food probe	1
Removable Self Clean-ready side racks (pair)	1
Grilling and roasting insert with PerfectClean	1

Available display languages

Available display languages via MultiLingua

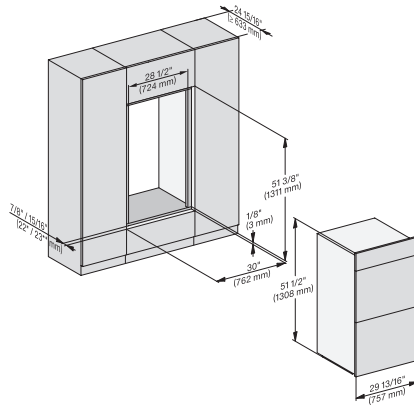
bahasa malaysia, dansk, deutsch, eesti, english, english (AU), english (CA), english (GB), english (US), español, français, français (CA), français (FR), hrvatski, italiano, latviesu, lietuviu, magyar, nederlands, norsk, polski, portuguese, русский, română, slovenčina, slovenščina, srpski, suomi, svenska, türkçe, українська, čeština, ελληνικά, [?][?][?][?][?][?], [?][?], [?][?], [?][?], [?][?][?], [?][?][?]

H 7780 BP2
30" double oven
in a combinable design with wireless precision probe.



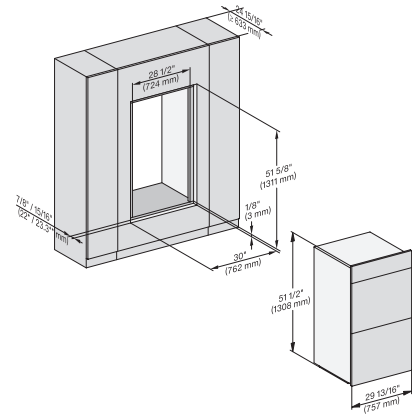
side view, 30 inch Flush inset double, installation drawing, NA

7/8" – 22* mm – Glas, 15/16" – 23.3** mm – Edelstahl



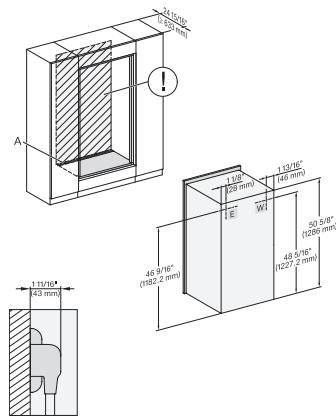
installation 30 inch Flush inset double, installation drawing, NA

7/8" – 22* mm – Glas, 15/16" – 23.3** mm – Edelstahl



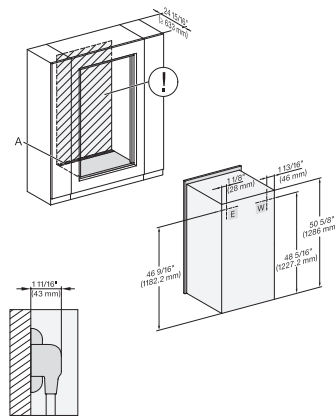
installation 30 inch Flush inset wide front double, installation drawing, NA

7/8" – 22* mm – Glas, 15/16" – 23.3** mm – Edelstahl



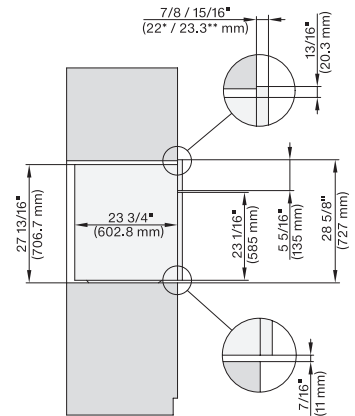
installation 30 inch flush inset double, installation drawing, NA

A – Cut-out (4" x 28" / 100 mm x 720 mm) in the bottom of the cabinet for power cord and ventilation, – Electrical and water supplies are recommended to be placed in adjacent cabinetry, Additional cabinet depth is required when placing the electrical and water supplies behind the appliance, E = Electric connection, W = Water connection



installation 30 inch Flush inset wide front double, installation drawing, NA

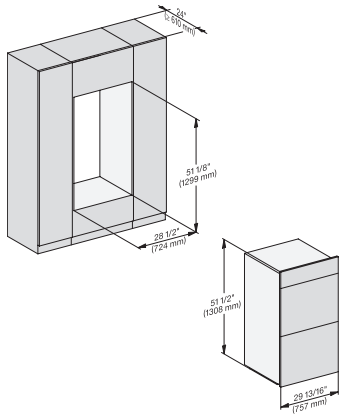
A – Cut-out (4" x 28" / 100 mm x 720 mm) in the bottom of the cabinet for power cord and ventilation, – Electrical and water supplies are recommended to be placed in adjacent cabinetry, Additional cabinet depth is required when placing the electrical and water supplies behind the appliance, E = Electric connection, W = Water connection



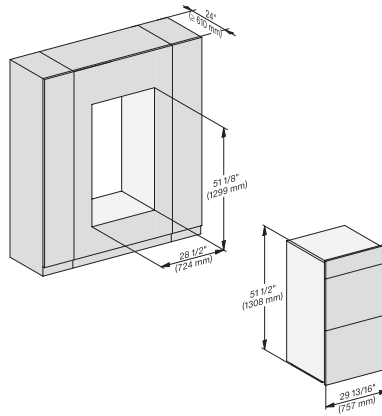
side view 30 inch Proud, installation drawing, NA

7/8" – 22* mm – Glas, 15/16" – 23.3** mm – Edelstahl

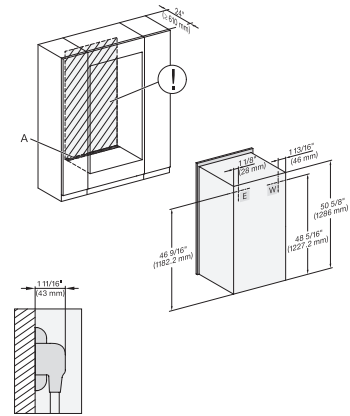
H 7780 BP2
30" double oven
in a combinable design with wireless precision probe.



installation 30 inch Proud double, installation drawing, NA

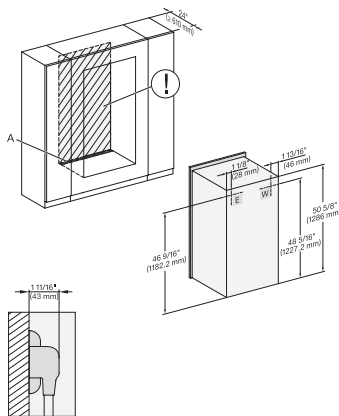


installation 30 inch Proud wide front double, installation drawing, NA



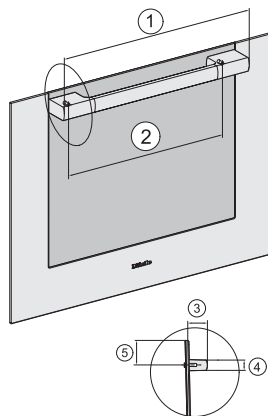
installation 30 inch Proud double, installation drawing, NA

A – Cut-out (4" x 28" / 100 mm x 720 mm) in the bottom of the cabinet for power cord and ventilation, – Electrical and water supplies are recommended to be placed in adjacent cabinetry, Additional cabinet depth is required when placing the electrical and water supplies behind the appliance., E = Electric connection, W = Water connection



installation 30 inch Proud wide front double, installation drawing, NA

A – Cut-out (4" x 28" / 100 mm x 720 mm) in the bottom of the cabinet for power cord and ventilation, – Electrical and water supplies are recommended to be placed in adjacent cabinetry, Additional cabinet depth is required when placing the electrical and water supplies behind the appliance., E = Electric connection, W = Water connection



Handle 30" DGC73xx, DGC75xx, DGC77xx, H71xx, H75xx, H77xx, ContourLine – NA7000 - Installation drawing

① 21 1/8" / 536 mm, ② 17 1/2" / 444 mm, ③ 2 1/2" / 64 mm, ④ 1 3/8" / 35 mm, ⑤ 1 7/16" / 37 mm