

## H 7660 BP AM 24" oven

in a perfectly combinable design with roast probe and BrilliantLight.



- Touch display with proximity sensor – M Touch S + MotionReact
- Minimal cleaning effort – Self Clean and Self Clean ready
- Beautifully light dough and browned crusts – Moisture Plus
- Ensures your food won't overcook – TasteControl
- Network-enabled WiFi appliance – Miele@home

EAN: 4002516483830 / Material number: 11804840 /  
Old Material Number: 22766035USA

<b>Construction type and design</b>	
Built-in wall oven	•
Color	Graphite grey
VitroLine	•
<b>Convenience features</b>	
TasteControl	•
Rapid PreHeat	•
Roast probe	wired
Keep-warm function	•
Crisp Function	•
<b>Operating modes</b>	
Convection Bake	•
Convection Roast	•
Surround	•
Moisture Plus	•
Moisture Plus with AutoRoast	•
Moisture Plus with Convection Bake	•
Moisture Plus with Intensive	•
Moisture Plus with Surround	•
Intensive Bake	•
Auto roast	•
Convection Roast	•
Maxi Broil	•
Broil	•
Browning	•
Bake	•
Slow roast	•
Defrost	•
MasterChef automatic programs	•
Special modes	•
<b>User convenience</b>	
Networking with Miele@home	•
Control panel	M Touch S Display
MotionReact: Light comes on when movement is detected	•
MotionReact: Display comes on when movement is detected	•
MotionReact: Audible signal to acknowledge when movement is detected	•
MotionReact: Detection of cabinet fronts	•
SoftOpen	•
SoftClose	•
MultiLingua	•
MyMiele	•
Show me how	•
Timed bursts of steam	•
Time of day display	•
Time synchronization	•
Date display	•

H 7660 BP AM

24" oven

in a perfectly combinable design with roast probe and BrilliantLight.



EAN: 4002516483830 / Material number: 11804840 /

Old Material Number: 22766035USA

Minute minder	•
Programming start of cooking duration	•
Programming end of cooking duration	•
Programmable cooking time	•
Actual temperature display	•
Audible signal when desired temperature is reached	•
Default temperature	•
Favorites	•
Sabbath program	•
Individual settings	•
Intake pipe for collecting water	•
<b>Efficiency and sustainability</b>	
Automatic residual heat utilization	•
<b>Cleaning convenience</b>	
Self-cleaning	•
Foldable broil heater element	•
CleanGlass door	•
<b>Steam technology/water supply</b>	
Steam generator power in kW	1.10
Fresh water container volume in l	0.3
Intake pipe for collecting water	•
<b>Safety</b>	
Appliance cooling system and cool touch front	•
Safety cut-out	•
System lock	•
Door lock during self cleaning	•
Sensor lock	•
<b>Technical data</b>	
Cavity volume in cu.ft (l)	2.97 (84)
No. of rack levels	5
Number of shelf levels oven compartment 1	5
Number of shelf levels oven compartment 2	5
Labeling of rack levels	•
Oven interior lighting	1 halogen spot
Temperatures in °F (°C)	85-575 (30-300)
Niche width min. in inches (mm)	22 1/8 (560)
Niche width max. in inches (mm)	22 3/8 (568)
Niche height min. in inches (mm)	23 1/4 (590)
Niche height max. in inches (mm)	23 1/2 (595)
Niche depth in in. (mm)	21 3/4 (550)
Appliance dimensions (W x H x D) in inches (mm)	23 1/2 (595) x 23 1/2 (596) x 22 3/8 (568)
Appliance width in in. (mm)	23 1/2 (595)
Appliance height in in. (mm)	23 1/2 (596)
Appliance depth in in. (mm)	22 3/8 (568)
Weight in lbs. (kg)	103 (46.5)
Weight in lbs. (kg)	102.52 (46.5)
Weight in lbs. (kg)	103 (46.5)
Total connected load in kW	5.40

H 7660 BP AM

24" oven

in a perfectly combinable design with roast probe and BrilliantLight.



EAN: 4002516483830 / Material number: 11804840 /  
Old Material Number: 22766035USA

Power Rating in V	120
Voltage in V	240/208
Frequency in Hz	60
Fuse rating in A	30
Number of phases	1
Connection wire with plug	•
Length of power cord in in. (m)	1.80

#### Standard accessories

Universal tray with PerfectClean HUBB 71	1
Self Clean ready baking and roasting rack	2
Self-Clean-ready FlexiClip telescopic runners (pair)	1
Wired food probe	1
Removable Self Clean-ready side racks (pair)	1
Grilling and roasting insert with PerfectClean	1
Descaling tablets	2

#### Available display languages

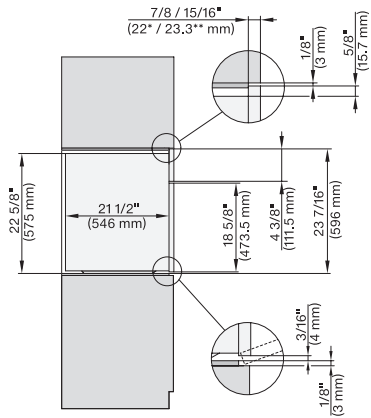
Available display languages via MultiLingua

bahasa malaysia, dansk,  
deutsch, english, español,  
français, hrvatski, italiano,  
magyar, nederlands, norsk,  
polski, portugês, русский,  
română, slovenčina,  
slovenščina, srpski, suomi,  
svenska, türkçe, українська,  
čeština, ελληνικά,  
[?][?][?][?][?][?], [?][?], [?]  
[?][?], [?][?][?][?], [?][?][?]

H 7660 BP AM

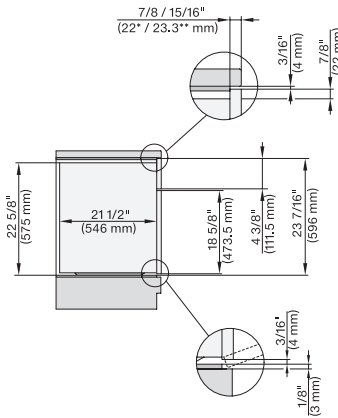
24" oven

in a perfectly combinable design with roast probe and BrilliantLight.



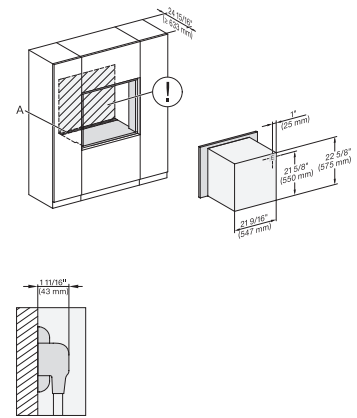
side view, 30 inch Flush inset 650S, installation drawing, NA

7/8" – 22\* mm – Glas, 15/16" – 23.3\*\* mm – Edelstahl



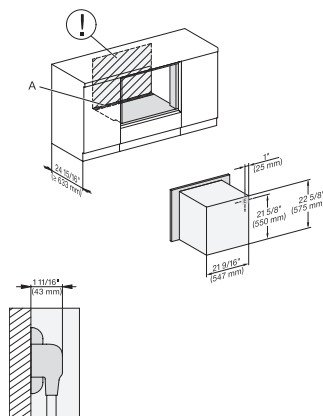
side view 30 inch Flush inset built-under 650S, installation drawing, NA

7/8" – 22\* mm – Glas, 15/16" – 23.3\*\* mm – Edelstahl



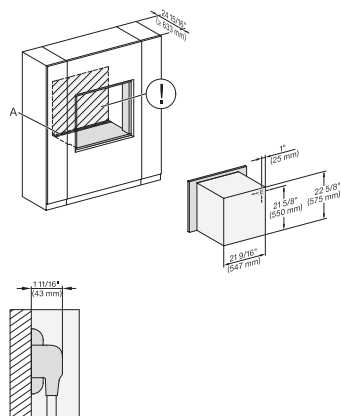
installation 30 inch Flush inset 650S, installation drawing, NA

A – Cut-out (1 9/16" x 19 11/16" / 40 mm x 500 mm) in the bottom of the cabinet for power cord and ventilation, – Electrical and water supplies are recommended to be placed in adjacent cabinetry, Additional cabinet depth is required when placing the electrical and water supplies behind the appliance, E = Electric connection



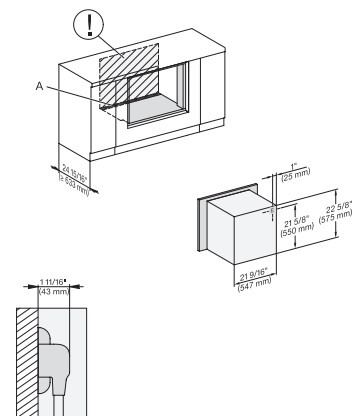
installation 30 inch Flush inset built-under 650S, installation drawing, NA

A – Cut-out (1 9/16" x 19 11/16" / 40 mm x 500 mm) in the bottom of the cabinet for power cord and ventilation, – Electrical and water supplies are recommended to be placed in adjacent cabinetry, Additional cabinet depth is required when placing the electrical and water supplies behind the appliance, E = Electric connection,



installation 30 inch Flush inset wide front 650S, installation drawing, NA

A – Cut-out (1 9/16" x 19 11/16" / 40 mm x 500 mm) in the bottom of the cabinet for power cord and ventilation, – Electrical and water supplies are recommended to be placed in adjacent cabinetry, Additional cabinet depth is required when placing the electrical and water supplies behind the appliance, E = Electric connection



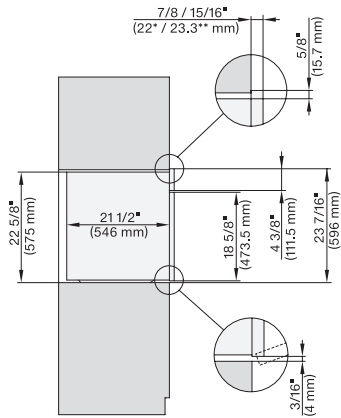
installation 30 inch Flush inset built-under wide front 650S, installation drawing, NA

A – Cut-out (1 9/16" x 19 11/16" / 40 mm x 500 mm) in the bottom of the cabinet for power cord and ventilation, – Electrical and water supplies are recommended to be placed in adjacent cabinetry, Additional cabinet depth is required when placing the electrical and water supplies behind the appliance, E = Electric connection,

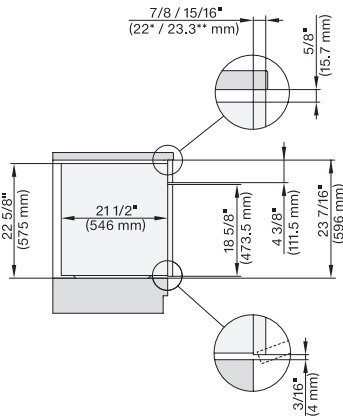
H 7660 BP AM

24" oven

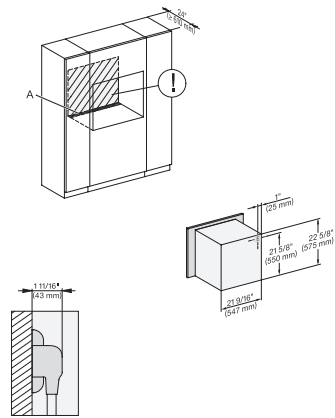
in a perfectly combinable design with roast probe and BrilliantLight.



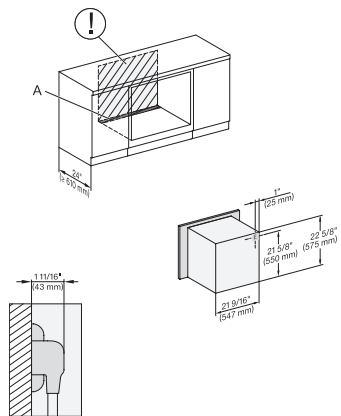
side view 30 inch Proud 650S, installation drawing, NA  
7/8" – 22\* mm – Glas, 15/16" – 23.3\*\* mm – Edelstahl



side view 30 inch Proud built-under 650S, installation drawing, NA  
7/8" – 22\* mm – Glas, 15/16" – 23.3\*\* mm – Edelstahl

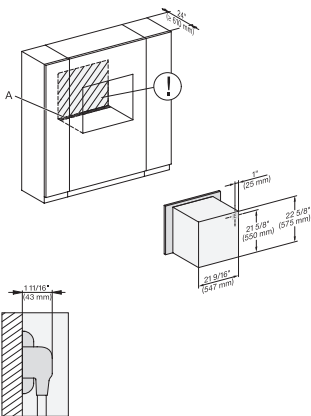


installation 30 inch Proud 650S, installation drawing, NA  
A – Cut-out (1 9/16" x 19 11/16" / 40 mm x 500 mm) in the bottom of the cabinet for power cord and ventilation, – Electrical and water supplies are recommended to be placed in adjacent cabinetry, Additional cabinet depth is required when placing the electrical and water supplies behind the appliance., E = Electric connection



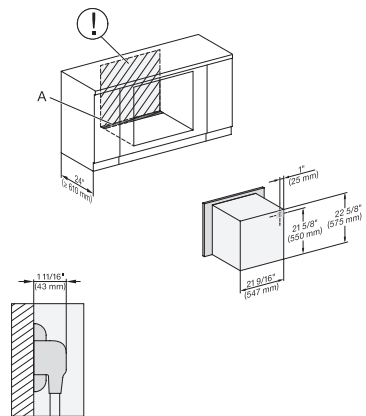
installation 30 inch Proud built-under 650S, installation drawing, NA

A – Cut-out (1 9/16" x 19 11/16" / 40 mm x 500 mm) in the bottom of the cabinet for power cord and ventilation, – Electrical and water supplies are recommended to be placed in adjacent cabinetry., Additional cabinet depth is required when placing the electrical and water supplies behind the appliance., E = Electric connection,



installation 30 inch Proud wide front 650S, installation drawing, NA

A – Cut-out (1 9/16" x 19 11/16" / 40 mm x 500 mm) in the bottom of the cabinet for power cord and ventilation, – Electrical and water supplies are recommended to be placed in adjacent cabinetry., Additional cabinet depth is required when placing the electrical and water supplies behind the appliance., E = Electric connection



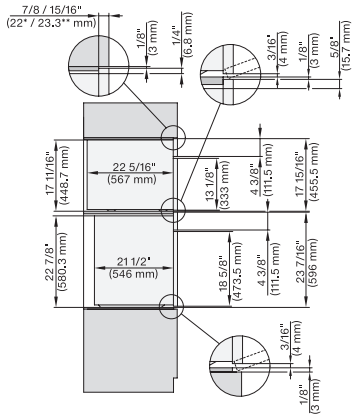
installation 30 inch Proud built-under wide front 650S, installation drawing, NA

A – Cut-out (1 9/16" x 19 11/16" / 40 mm x 500 mm) in the bottom of the cabinet for power cord and ventilation, – Electrical and water supplies are recommended to be placed in adjacent cabinetry., Additional cabinet depth is required when placing the electrical and water supplies behind the appliance., E = Electric connection,

## H 7660 BP AM

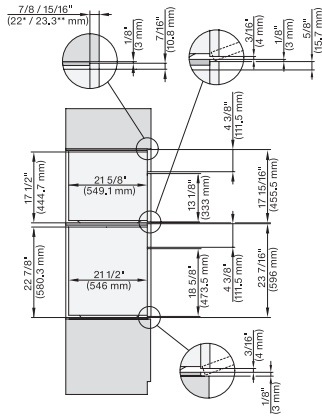
24" oven

in a perfectly combinable design with roast probe and BrilliantLight.



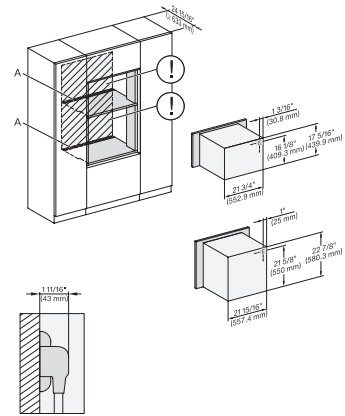
DGC6x00-1+EBA 6808, H 6560B+EBA 6808, H 6x60 BP+EBA6808, DGC7xxx, H7xxx, EBA78x8 Combi, Install. drawi., Flush inset, NA

7/8" – 22\* mm – Glas, 15/16" – 23.3\*\* mm – Edelstahl



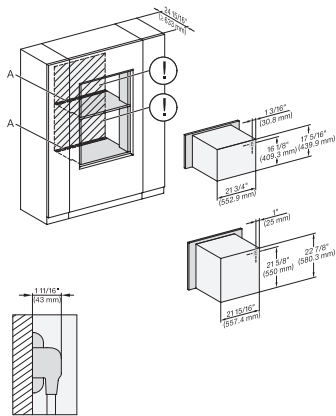
H 6560 B + EBA 6808, H 6x60 BP + EBA 6808, H 6x00 BM + EBA 6808, H7xxx, EBA 78x8 Combi, Install drawing, Flush inset, NA

7/8" – 22\* mm – Glas, 15/16" – 23.3\*\* mm – Edelstahl



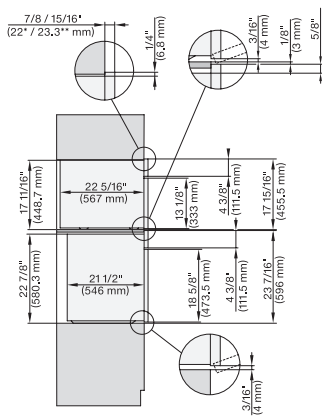
H 6560 B + EBA 6808, H 6x60 BP + EBA 6808, H 6x00 BM, H 7xxx, EBA 78x8, Installation drawing, Flush inset, NA

A – Cut-out (4" x 28" / 100 mm x 720 mm) in the bottom of the cabinet for power cord and ventilation, – Electrical and water supplies are recommended to be placed in adjacent cabinetry., Additional cabinet depth is required when placing the electrical and water supplies behind the appliance., E = Electric connection



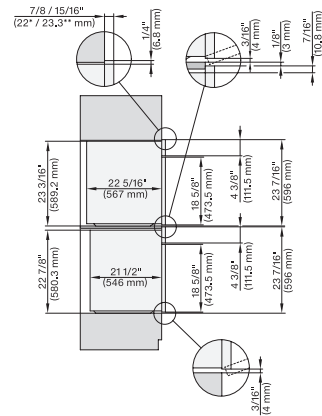
H 6560 B + EBA 6808, H 6x60 BP, H 6x00 BM, H 7xxx BM/BP, EBA 78x8, Installation drawing, Flush inset, NA

A – Cut-out (4" x 28" / 100 mm x 720 mm) in the bottom of the cabinet for power cord and ventilation, – Electrical and water supplies are recommended to be placed in adjacent cabinetry., Additional cabinet depth is required when placing the electrical and water supplies behind the appliance., E = Electric connection



DGC6xxx-1+EBAx8x8, H6560B+EBA6808, HxxxBP+EBAx8x8, Combi, Installation Drawing, Proud, Flush inset, NA

7/8" – 22\* mm – Glas, 15/16" – 23.3\*\* mm – Edelstahl



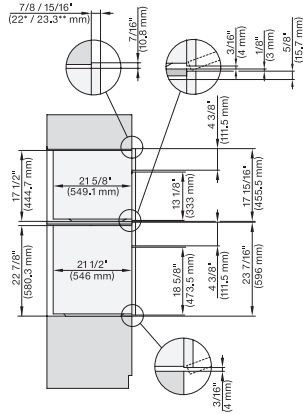
DGC6x6x(AM)+EBA6808, H6560B+EBA6808, H6x60BP+EBA6808, (DGC786x, H7x6xBP)+EBA7868, Combi, Installation drawing, Proud, NA

7/8" – 22\* mm – Glas, 15/16" – 23.3\*\* mm – Edelstahl

## H 7660 BP AM

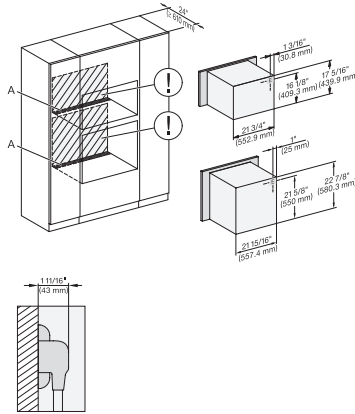
24" oven

in a perfectly combinable design with roast probe and BrilliantLight.



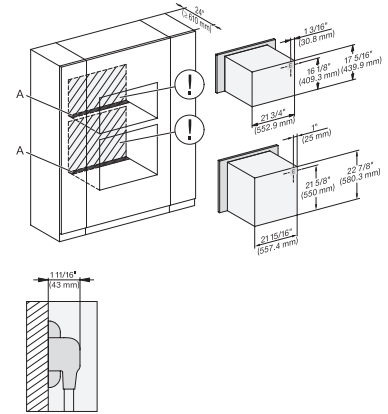
H 6560 B + EBA 6808, H 6x60 BP + EBA 6808, H 6x00 BM + EBA 6808, H7xxx+EBA7x7x, Combi, Installation drawing, Proud, NA

7/8" – 22\* mm – Glas, 15/16" – 23.3\*\* mm – Edelstahl



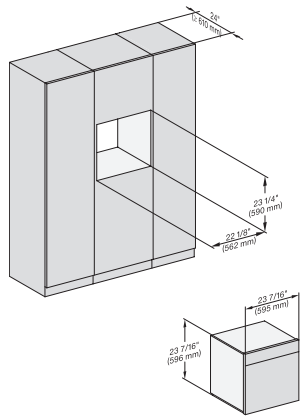
H 6560 B + EBA 6808, H 6x60 BP + EBA6808, H6x00BM + EBA6808, NA7000 Installation Combi, Installation drawing, Proud, NA

A – Cut-out (4" x 28" / 100 mm x 720 mm) in the bottom of the cabinet for power cord and ventilation, – Electrical and water supplies are recommended to be placed in adjacent cabinetry, Additional cabinet depth is required when placing the electrical and water supplies behind the appliance., E = Electric connection

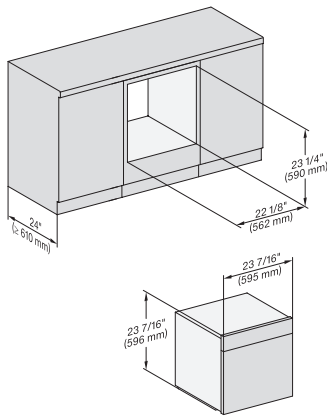


(H6560B, H6x60BP, H6x00BM) + EBA6808, NA7000 Installation Combi wide front, Installation drawing, Proud, NA

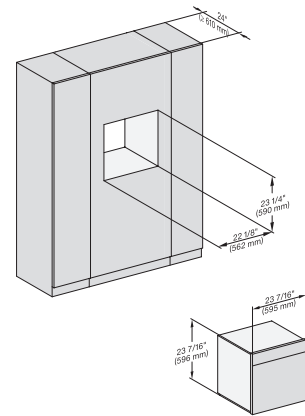
A – Cut-out (4" x 28" / 100 mm x 720 mm) in the bottom of the cabinet for power cord and ventilation, – Electrical and water supplies are recommended to be placed in adjacent cabinetry, Additional cabinet depth is required when placing the electrical and water supplies behind the appliance., E = Electric connection



installation Proud 650S, installation drawing, NA



installation Proud build-under 650S, installation drawing, NA

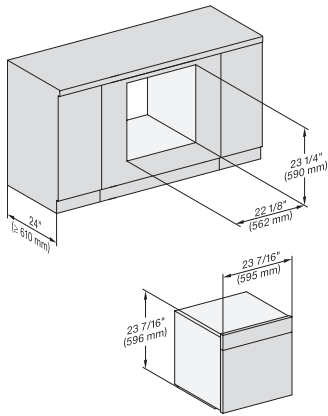


installation Proud wide front 650S, installation drawing, NA

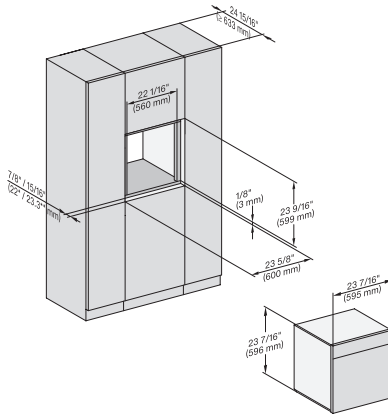
## H 7660 BP AM

24" oven

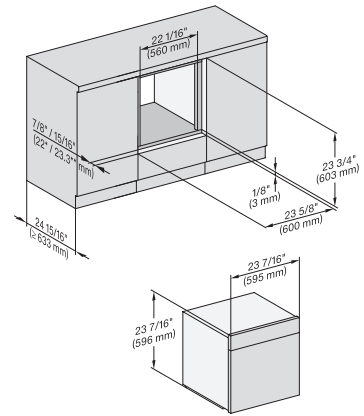
in a perfectly combinable design with roast probe and BrilliantLight.



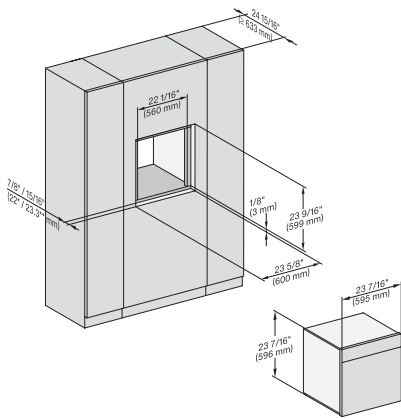
installation Proud built-under wide front 650S, installation drawing, NA



installation Flush inset 650S, installation drawing, NA  
7/8" – 22\* mm – Glass, 15/16" – 23.3\*\* mm – Stainless steel

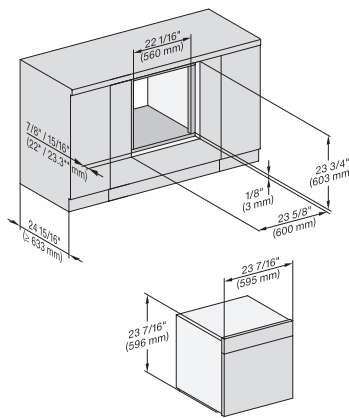


installation Flush inset built-under 650S, installation drawing, NA  
7/8" – 22\* mm – Glass, 15/16" – 23.3\*\* mm – Stainless steel



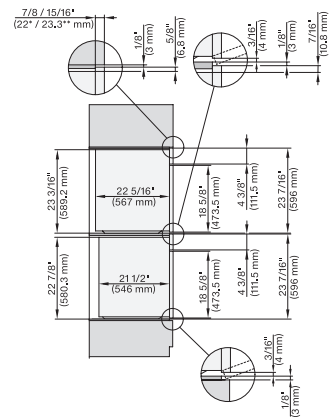
installation Flush inset breite Front 650S, installation drawing, NA

7/8" – 22\* mm – Glass, 15/16" – 23.3\*\* mm – Stainless steel



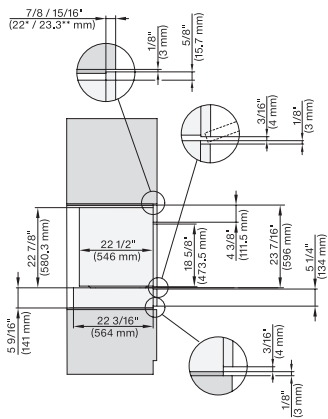
installation Flush inset built-under wide front 650S, Skizze, NA

7/8" – 22\* mm – Glass, 15/16" – 23.3\*\* mm – Stainless steel



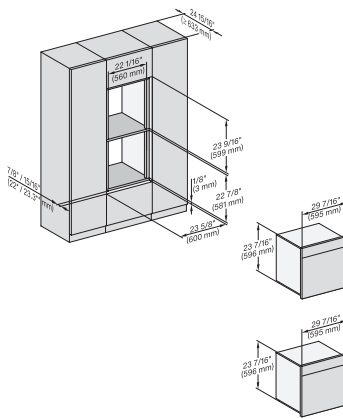
DGC786x(+EBA7848), H7x6xBP(+EBA7848), side view, 30 Zoll, Flush inset, combi, XXL, 650S

7/8" – 22\* mm – Glass, 15/16" – 23.3\*\* mm – Stainless steel



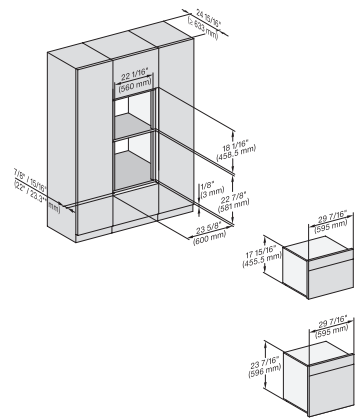
side view, Flush inset, combi, 650S, ESW

7/8" – 22\* mm – Glass, 15/16" – 23.3\*\* mm – Stainless steel



DGC786x, H7x6xBP, Einbau, 30 Zoll, Flush inset, combi, XXL 650S

7/8" – 22\* mm – Glass, 15/16" – 23.3\*\* mm – Stainless steel



DGC7x4x, H7x40BM, H7x6xBP, Einbau, 30 Zoll Flush inset, combi, 650S, 450S

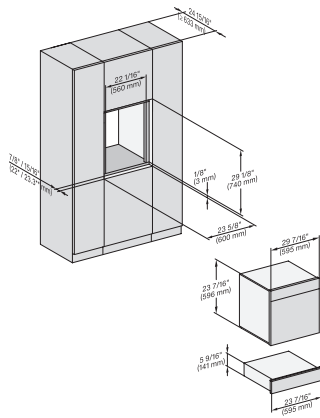
7/8" – 22\* mm – Glass, 15/16" – 23.3\*\* mm – Stainless steel



## H 7660 BP AM

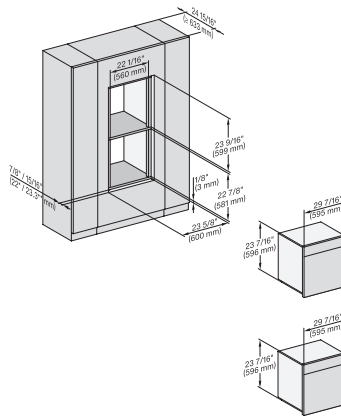
24" oven

in a perfectly combinable design with roast probe and BrilliantLight.



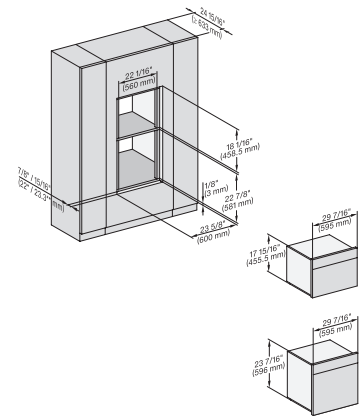
H7x6xBP+EBA7848, ESW7x10, EVS7010, Einbau, 30 Zoll, Flush inset, combi, 650S, ESW

7/8" – 22\* mm – Glass, 15/16" – 23.3\*\* mm – Stainless steel



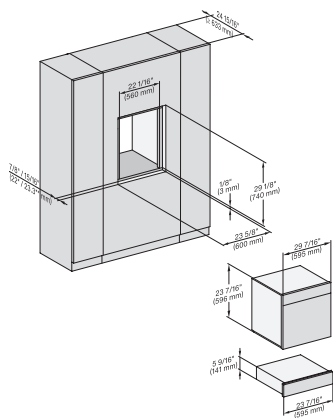
DGC786x, H7x6xBP, Einbau, 30 Zoll, Flush inset, combi, wide front, XXL, 650S

7/8" – 22\* mm – Glass, 15/16" – 23.3\*\* mm – Stainless steel



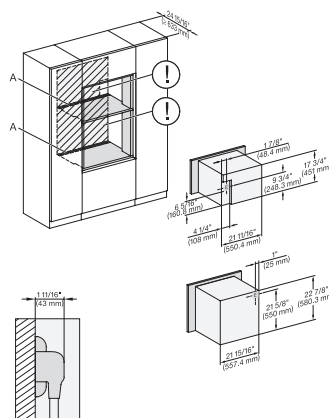
DGC7xxx, H7x40BM, H7x6xBP, Einbau, 30 Zoll, Flush inset, combi, wide front, 650S, 450S

7/8" – 22\* mm – Glass, 15/16" – 23.3\*\* mm – Stainless steel



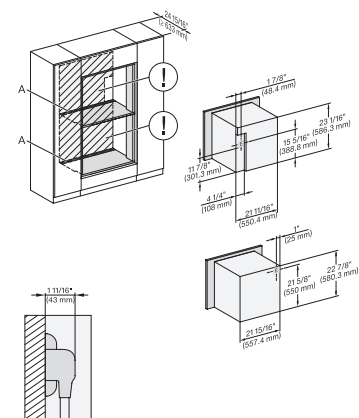
H7x6x+EBA7868, ESW7x10, EVS7010, Einbau, 30 Zoll, Flush inset, wide front, 650S

7/8" – 22\* mm – Glass, 15/16" – 23.3\*\* mm – Stainless steel



DGC7x4x(+EBA7848), H7x6xBP(+EBA7848), Installation, 30 Zoll, Flush inset, combi, XL, 650S

A – Cut-out (4" x 28" / 100 mm x 720 mm) in the bottom of the cabinet for power cord and ventilation, – Electrical and water supplies are recommended to be placed in adjacent cabinetry, Additional cabinet depth is required when placing the electrical and water supplies behind the appliance., E = Electric connection



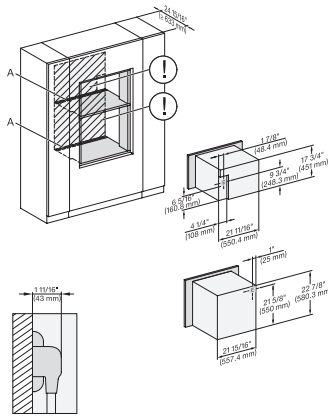
DGC786x(+EBA7868), H7x6xBP(+EBA7848), Installation, 30 Zoll, Flush inset, combi, XXL, 650S

A – Cut-out (4" x 28" / 100 mm x 720 mm) in the bottom of the cabinet for power cord and ventilation, – Electrical and water supplies are recommended to be placed in adjacent cabinetry, Additional cabinet depth is required when placing the electrical and water supplies behind the appliance., E = Electric connection

## H 7660 BP AM

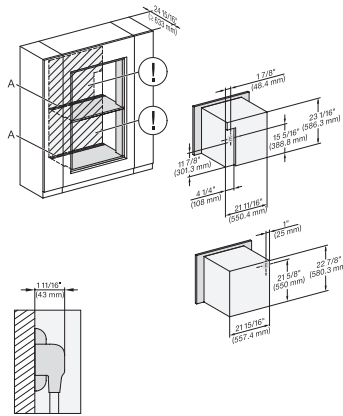
24" oven

in a perfectly combinable design with roast probe and BrilliantLight.



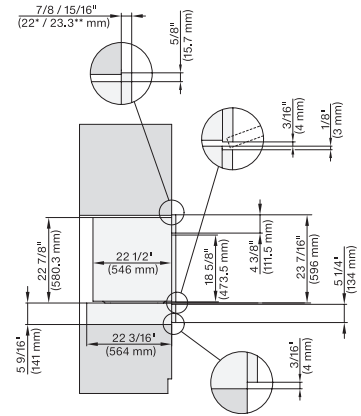
DGC7x4x(+EBA7848), H7x6x(+EBA7848), Installation, 30 Zoll, flush inset, combi, wide front, XL, 650S

A – Cut-out (4" x 28" / 100 mm x 720 mm) in the bottom of the cabinet for power cord and ventilation, – Electrical and water supplies are recommended to be placed in adjacent cabinetry, Additional cabinet depth is required when placing the electrical and water supplies behind the appliance., E = Electric connection



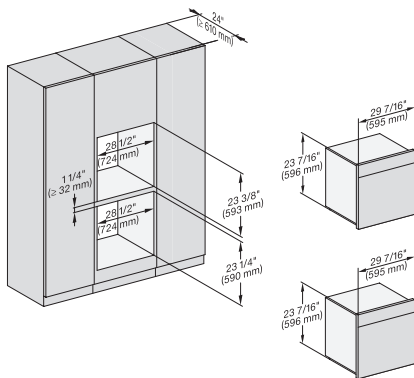
DGC786x(+EBA7848), H7x6xBP(+EBA7848), Installation, 30 Zoll, Flush inset, combi, wide front, 650S, XXL

A – Cut-out (4" x 28" / 100 mm x 720 mm) in the bottom of the cabinet for power cord and ventilation, – Electrical and water supplies are recommended to be placed in adjacent cabinetry, Additional cabinet depth is required when placing the electrical and water supplies behind the appliance., E = Electric connection



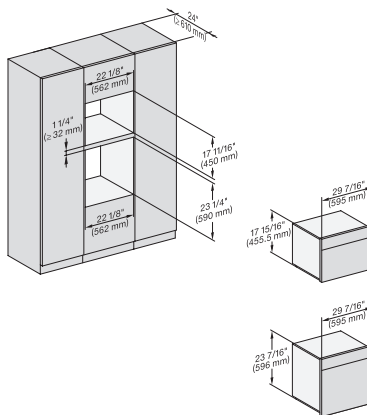
side view, Proud, combi, 650S, ESW

7/8" – 22\* mm – Glass, 15/16" – 23.3\*\* mm – Stainless steel



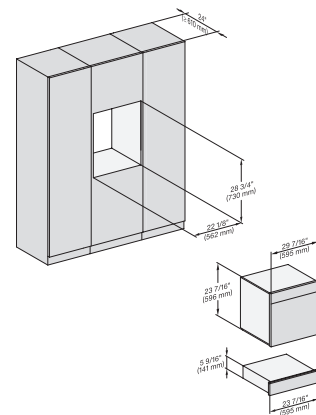
DGC786x, H7x6xBP, Einbau, 30 Zoll, Proud, combi, XXL, 650S

7/8" – 22\* mm – Glass, 15/16" – 23.3\*\* mm – Stainless steel



DGC7xxx, H7x4xBM, H7x6xBP, Einbau, 30 Zoll, Proud, combi, 650S, 450S

7/8" – 22\* mm – Glass, 15/16" – 23.3\*\* mm – Stainless steel



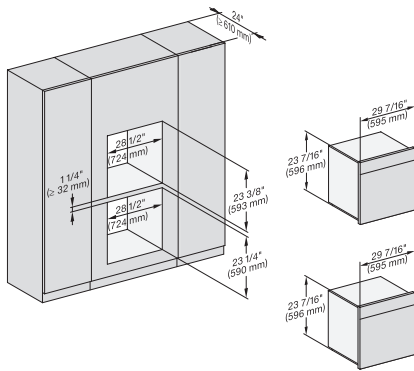
H7x6xBP+EBA7848, ESW7x10, EVS7010, Einbau, 30 Zoll, Proud, combi, 650S

7/8" – 22\* mm – Glass, 15/16" – 23.3\*\* mm – Stainless steel

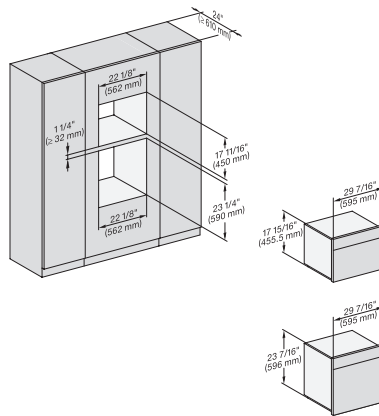
## H 7660 BP AM

24" oven

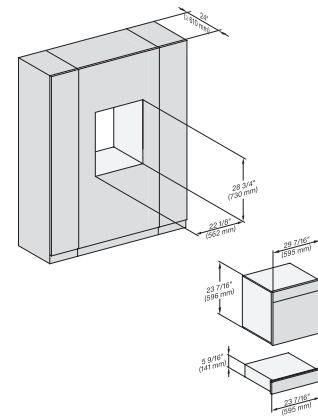
in a perfectly combinable design with roast probe and BrilliantLight.



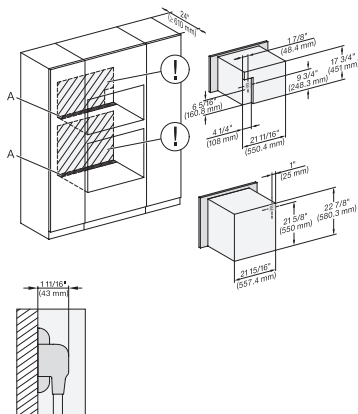
DGC786x, H7x6xBP, Einbau, 30 Zoll, Proud, combi, wide front, XXL



DGC7x4x, H7x40Bm, H7x6xBP, Einbau, 30 Zoll, Proud, combi, wide front, 650S, 450S

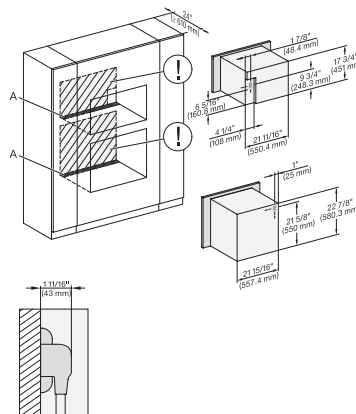


H7x6xBP+EBA7848, ESW7x10, EVS7010, Einbau, 30 Zoll, Proud, combi, wide front, 650S



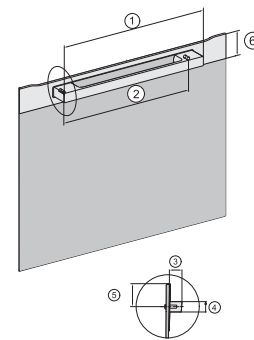
DGC7x4x(+EBA7848), H7x6x(+EBA7848), Installation, 30 Zoll, Proud, combi, XL, 650S

A – Cut-out (4" x 28" / 100 mm x 720 mm) in the bottom of the cabinet for power cord and ventilation, – Electrical and water supplies are recommended to be placed in adjacent cabinetry, Additional cabinet depth is required when placing the electrical and water supplies behind the appliance, E = Electric connection



DGC7x4x(+EBA7848), H7x6xBP(+EBA7848), Installation, 30 Zoll, Proud, combi, wide front, 650S

A – Cut-out (4" x 28" / 100 mm x 720 mm) in the bottom of the cabinet for power cord and ventilation, – Electrical and water supplies are recommended to be placed in adjacent cabinetry, Additional cabinet depth is required when placing the electrical and water supplies behind the appliance, E = Electric connection



Handle H72xx, H76xx, H78xx, PureLine – NA7000 – Installation drawing

H2880BP, H7270BM, H7670BM, H7870BM, H7280BP, H7680BP, H7880BP, H7880BP2, [1] 19 11/16" / 500 mm, [2] 17 1/2" / 444 mm, [3] 1 7/8" / 47 mm, [4] 15/16" / 24 mm, [5] 1 1/4" / 32,5 mm, [6] 2 9/16" / 65 mm, H7240BM, H7640BM, H7840BM, H7263BP, H7660BP, [7] 15 3/4" / 400 mm, [8] 14 3/16" / 360 mm, [9] 1 7/8" / 47 mm, [10] 15/16" / 24 mm, [11] 1 1/4" / 32,5 mm, [12] 2 9/16" / 65 mm