

H 7263 BP  
24" oven  
with clear text display, connectivity, and Self Clean.



- Clear-text display with sensor controls – DirectSensor S
- Minimal cleaning effort – Self-cleaning
- Achieve perfect results with ease – Automatic programs
- Unlimited possibilities – volume of 2.97 cu. ft. on 5 levels
- Network-enabled WiFi appliance – Miele@home

EAN: 4002516483724 / Material number: 11804780 / Old Material Number: 22726335USA

<b>Construction type and design</b>	
Built-in wall oven	•
Color	Graphite grey
VitroLine	•
<b>Convenience features</b>	
Rapid PreHeat	•
<b>Operating modes</b>	
Defrost	•
MasterChef automatic programs	•
Auto roast	•
Maxi Broil	•
Convection Bake	•
Convection Roast	•
Intensive Bake	•
Surround	•
Bake	•
Convection Roast	•
<b>User convenience</b>	
Networking with Miele@home	•
Control panel	DirectSensor S
SoftOpen	•
SoftClose	•
MultiLingua	•
Time synchronization	•
Minute minder	•
Programming start of cooking duration	•
Programming end of cooking duration	•
Programmable cooking time	•
Actual temperature display	•
Audible signal when desired temperature is reached	•
Default temperature	•
Individual settings	•
<b>Cleaning convenience</b>	
Self-cleaning	•
Foldable broil heater element	•
CleanGlass door	•
<b>Safety</b>	
Appliance cooling system and cool touch front	•
Safety cut-out	•
System lock	•
Door lock during self cleaning	•
<b>Technical data</b>	
Cavity volume in cu.ft (l)	2.97 (84)
No. of rack levels	5
Number of shelf levels oven compartment 1	5
Number of shelf levels oven compartment 2	5
Oven interior lighting	1 halogen spot
Temperatures in °F (°C)	85-575 (30-300)
Niche width min. in inches (mm)	22 1/8 (560)
Niche width max. in inches (mm)	22 3/8 (568)

H 7263 BP

24" oven

with clear text display, connectivity, and Self Clean.



EAN: 4002516483724 / Material number: 11804780 / Old Material Number: 22726335USA

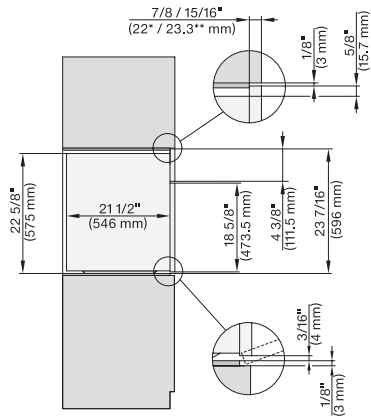
Niche height min. in inches (mm)	23 1/4 (590)
Niche height max. in inches (mm)	23 1/2 (595)
Niche depth in in. (mm)	21 3/4 (550)
Appliance dimensions (W x H x D) in inches (mm)	23 1/2 (595) x 23 1/2 (596) x 22 3/8 (568)
Appliance width in in. (mm)	23 1/2 (595)
Appliance height in in. (mm)	23 1/2 (596)
Appliance depth in in. (mm)	22 3/8 (568)
Weight in lbs. (kg)	99 (44.5)
Weight in lbs. (kg)	98.11 (44.5)
Weight in lbs. (kg)	99 (44.5)
Total connected load in kW	5.40
Power Rating in V	120
Voltage in V	240/208
Frequency in Hz	60
Fuse rating in A	30
Number of phases	1
Connection wire with plug	•
Length of power cord in in. (m)	1.80
<b>Standard accessories</b>	
Universal tray with PerfectClean HUBB 71	1
Self Clean ready baking and roasting rack	1
Removable Self Clean-ready side racks (pair)	1

#### Available display languages

Available display languages via MultiLingua

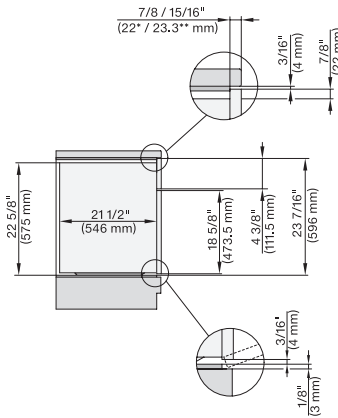
bahasa malaysia, dansk, deutsch, english, español, français, hrvatski, italiano, magyar, nederlands, norsk, polski, portuguese, русский, română, slovenčina, slovenščina, srpski, suomi, svenska, türkçe, українська, čeština, ελληνικά,

H 7263 BP  
24" oven  
with clear text display, connectivity, and Self Clean.



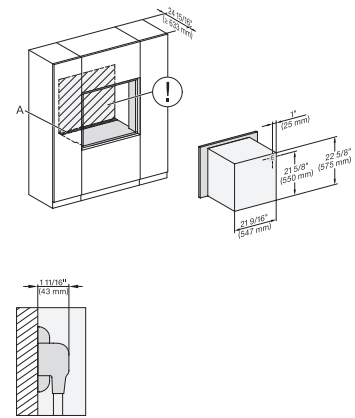
side view, 30 inch Flush inset 650S, installation drawing, NA

7/8" - 22" mm - Glas, 15/16" - 23.3\*\* mm - Edelstahl



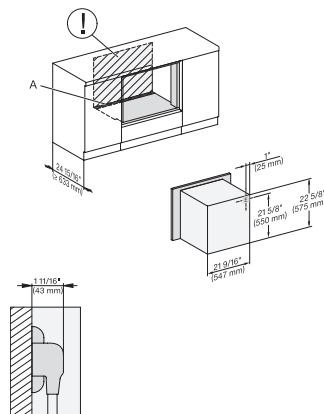
side view 30 inch Flush inset built-under 650S, installation drawing, NA

7/8" - 22" mm - Glas, 15/16" - 23.3\*\* mm - Edelstahl



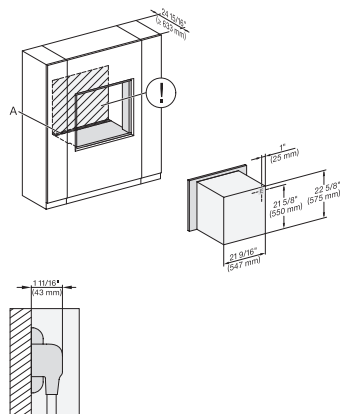
installation 30 inch Flush inset 650S, installation drawing, NA

A - Cut-out (1 9/16" x 19 11/16" / 40 mm x 500 mm) in the bottom of the cabinet for power cord and ventilation, - Electrical and water supplies are recommended to be placed in adjacent cabinetry., Additional cabinet depth is required when placing the electrical and water supplies behind the appliance., E = Electric connection



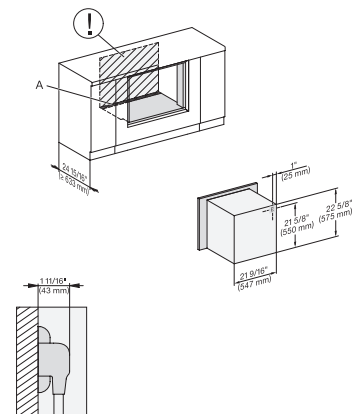
installation 30 inch Flush inset built-under 650S, installation drawing, NA

A - Cut-out (1 9/16" x 19 11/16" / 40 mm x 500 mm) in the bottom of the cabinet for power cord and ventilation, - Electrical and water supplies are recommended to be placed in adjacent cabinetry., Additional cabinet depth is required when placing the electrical and water supplies behind the appliance., E = Electric connection,



installation 30 inch Flush inset wide front 650S, installation drawing, NA

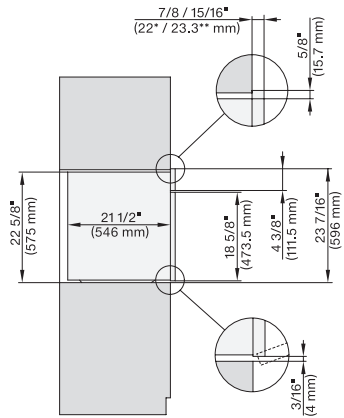
A - Cut-out (1 9/16" x 19 11/16" / 40 mm x 500 mm) in the bottom of the cabinet for power cord and ventilation, - Electrical and water supplies are recommended to be placed in adjacent cabinetry., Additional cabinet depth is required when placing the electrical and water supplies behind the appliance., E = Electric connection



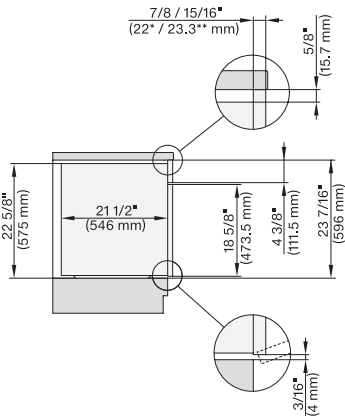
installation 30 inch Flush inset built-under wide front 650S, installation drawing, NA

A - Cut-out (1 9/16" x 19 11/16" / 40 mm x 500 mm) in the bottom of the cabinet for power cord and ventilation, - Electrical and water supplies are recommended to be placed in adjacent cabinetry., Additional cabinet depth is required when placing the electrical and water supplies behind the appliance., E = Electric connection,

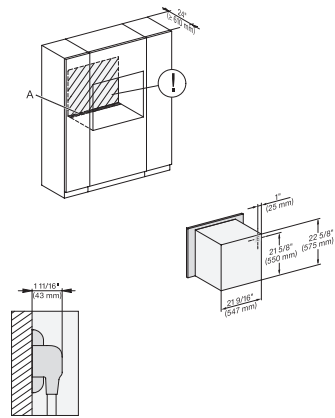
H 7263 BP  
24" oven  
with clear text display, connectivity, and Self Clean.



side view 30 inch Proud 650S, installation drawing, NA  
7/8" – 22\* mm – Glas, 15/16" – 23.3\*\* mm – Edelstahl

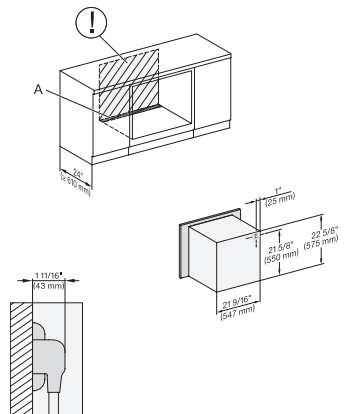


side view 30 inch Proud built-under 650S, installation drawing, NA  
7/8" – 22\* mm – Glas, 15/16" – 23.3\*\* mm – Edelstahl



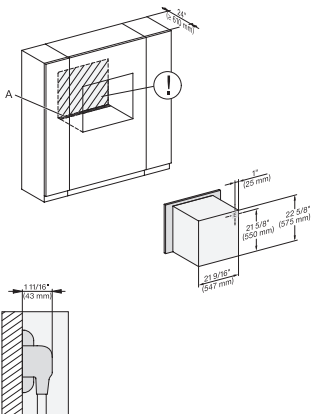
installation 30 inch Proud 650S, installation drawing, NA

A – Cut-out (1 9/16" x 19 11/16" / 40 mm x 500 mm) in the bottom of the cabinet for power cord and ventilation, – Electrical and water supplies are recommended to be placed in adjacent cabinetry., Additional cabinet depth is required when placing the electrical and water supplies behind the appliance., E = Electric connection



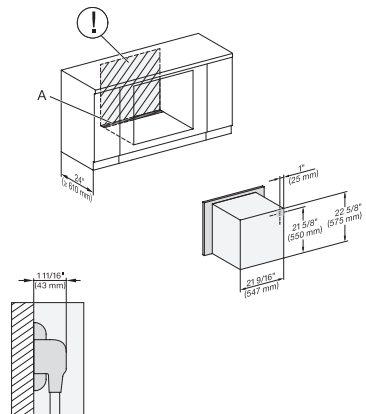
installation 30 inch Proud built-under 650S, installation drawing, NA

A – Cut-out (1 9/16" x 19 11/16" / 40 mm x 500 mm) in the bottom of the cabinet for power cord and ventilation, – Electrical and water supplies are recommended to be placed in adjacent cabinetry., Additional cabinet depth is required when placing the electrical and water supplies behind the appliance., E = Electric connection,



installation 30 inch Proud wide front 650S, installation drawing, NA

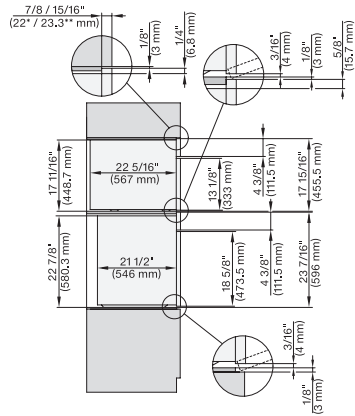
A – Cut-out (1 9/16" x 19 11/16" / 40 mm x 500 mm) in the bottom of the cabinet for power cord and ventilation, – Electrical and water supplies are recommended to be placed in adjacent cabinetry., Additional cabinet depth is required when placing the electrical and water supplies behind the appliance., E = Electric connection



installation 30 inch Proud built-under wide front 650S, installation drawing, NA

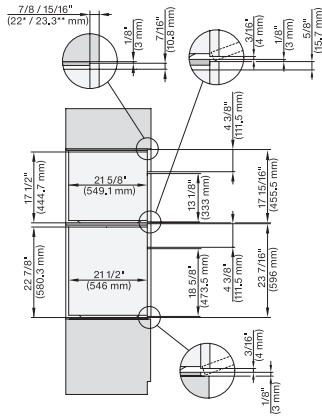
A – Cut-out (1 9/16" x 19 11/16" / 40 mm x 500 mm) in the bottom of the cabinet for power cord and ventilation, – Electrical and water supplies are recommended to be placed in adjacent cabinetry., Additional cabinet depth is required when placing the electrical and water supplies behind the appliance., E = Electric connection,

## H 7263 BP 24" oven with clear text display, connectivity, and Self Clean.



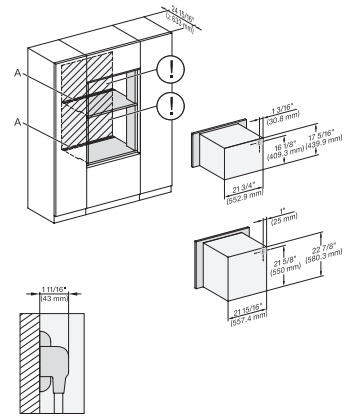
DGC6x00-1+EBA 6808, H 6560B+EBA 6808, H 6x60 BP+EBA6808, DGC7xxx, H7xxx, EBA78x8 Combi, Install. drawi., Flush inset, NA

7/8" – 22" mm – Glas, 15/16" – 23.3" mm – Edelstahl



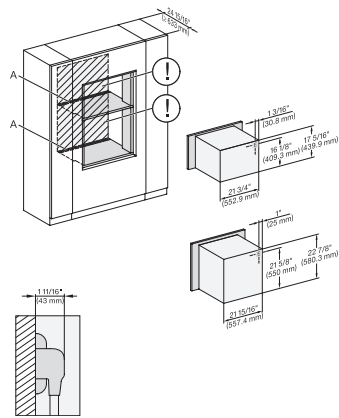
H 6560 B + EBA 6808, H 6x60 BP + EBA 6808, H 6x00 BM + EBA 6808, H7xxx, EBA 78x8 Combi, Install drawing, Flush inset, NA

7/8" – 22" mm – Glas, 15/16" – 23.3" mm – Edelstahl



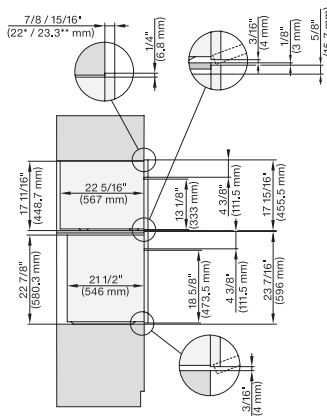
H 6560 B + EBA 6808, H 6x60 BP + EBA 6808, H 6x00 BM, H 7xxx, EBA 78x8, Installation drawing, Flush inset, NA

A – Cut-out (4" x 28" / 100 mm x 720 mm) in the bottom of the cabinet for power cord and ventilation, – Electrical and water supplies are recommended to be placed in adjacent cabinetry., Additional cabinet depth is required when placing the electrical and water supplies behind the appliance., E = Electric connection



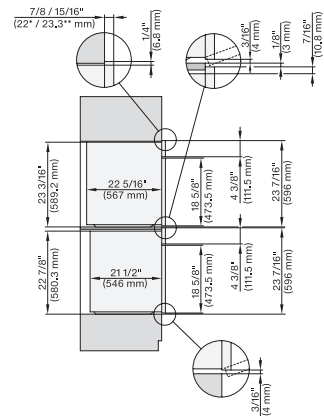
H 6560 B + EBA 6808, H 6x60 BP, H 6x00 BM, H 7xxx BM/BP, EBA 78x8, Installation drawing, Flush inset, NA

A – Cut-out (4" x 28" / 100 mm x 720 mm) in the bottom of the cabinet for power cord and ventilation, – Electrical and water supplies are recommended to be placed in adjacent cabinetry., Additional cabinet depth is required when placing the electrical and water supplies behind the appliance., E = Electric connection



DGC6xxx-1+EBAx8x8, H6560B+EBA6808, HxxxBP+EBAx8x8, Combi, Installation Drawing, Proud, Flush inset, NA

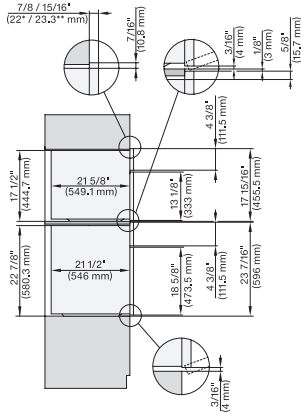
7/8" – 22" mm – Glas, 15/16" – 23.3" mm – Edelstahl



DGC6x6(AM)+EBA6808, H6560B+EBA6808, H6x60BP+EBA6808, (DGC786x, H7x6xBP)+EBA7868, Combi, Installation drawing, Proud, NA

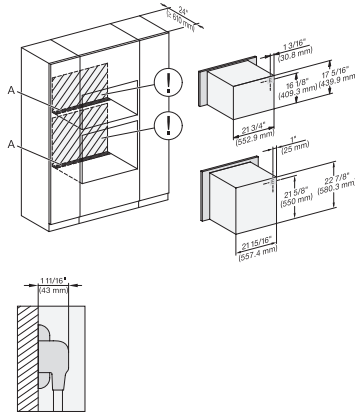
7/8" – 22" mm – Glas, 15/16" – 23.3" mm – Edelstahl

## H 7263 BP 24" oven with clear text display, connectivity, and Self Clean.



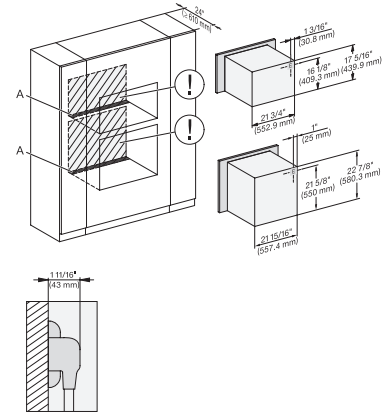
H 6560 B + EBA 6808, H 6x60 BP + EBA 6808, H 6x00 BM + EBA 6808, H7xxx+EBA7x7x, Combi, Installation drawing, Proud, NA

7/8" – 22" mm – Glas, 15/16" – 23.3" mm – Edelstahl



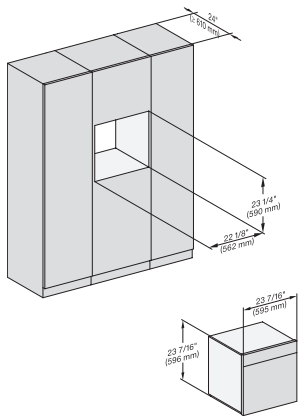
H 6560 B + EBA 6808, H 6x60 BP + EBA6808, H6x00BM + EBA6808, NA7000 Installation Combi, Installation drawing, Proud, NA

A – Cut-out (4" x 28" / 100 mm x 720 mm) in the bottom of the cabinet for power cord and ventilation, – Electrical and water supplies are recommended to be placed in adjacent cabinetry., Additional cabinet depth is required when placing the electrical and water supplies behind the appliance., E = Electric connection

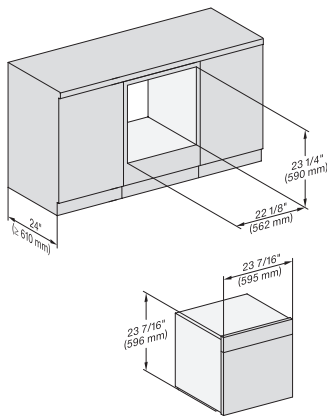


(H6560B, H6x60BP, H6x00BM) + EBA6808, NA7000 Installation Combi wide front, Installation drawing, Proud, NA

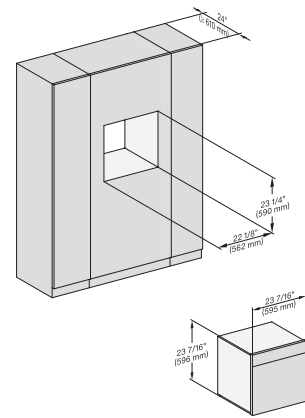
A – Cut-out (4" x 28" / 100 mm x 720 mm) in the bottom of the cabinet for power cord and ventilation, – Electrical and water supplies are recommended to be placed in adjacent cabinetry., Additional cabinet depth is required when placing the electrical and water supplies behind the appliance., E = Electric connection



installation Proud 650S, installation drawing, NA

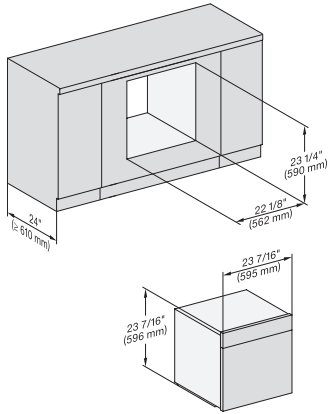


installation Proud build-under 650S, installation drawing, NA

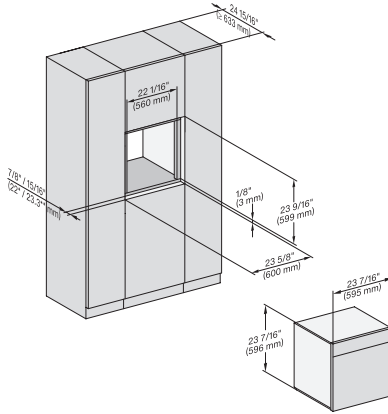


installation Proud wide front 650S, installation drawing, NA

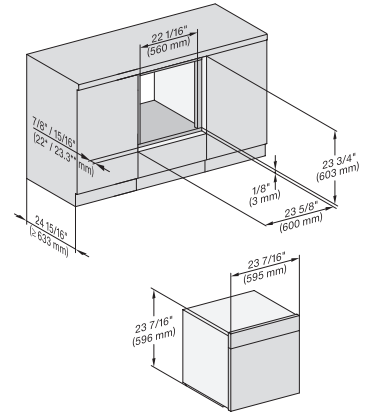
H 7263 BP  
24" oven  
with clear text display, connectivity, and Self Clean.



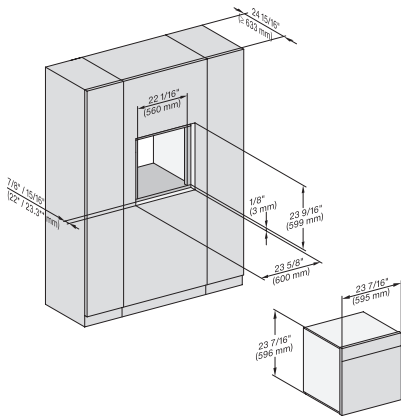
installation Proud built-under wide front 650S, installation drawing, NA



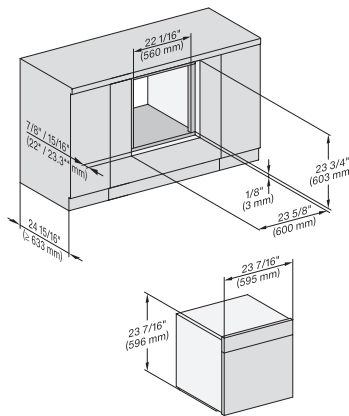
installation Flush inset 650S, installation drawing, NA  
7/8" – 22\* mm – Glass, 15/16" – 23.3\*\* mm – Stainless steel



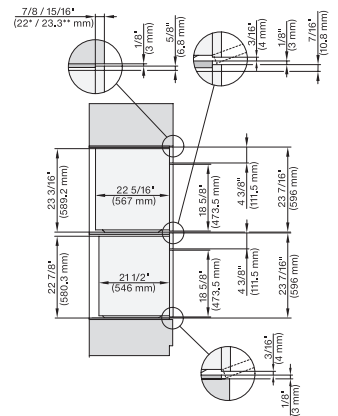
installation Flush inset built-under 650S, installation drawing, NA  
7/8" – 22\* mm – Glass, 15/16" – 23.3\*\* mm – Stainless steel



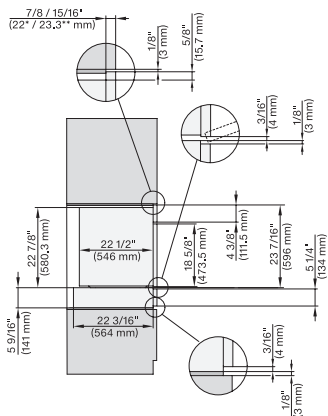
installation Flush inset breite Front 650S, installation drawing, NA  
7/8" – 22\* mm – Glass, 15/16" – 23.3\*\* mm – Stainless steel



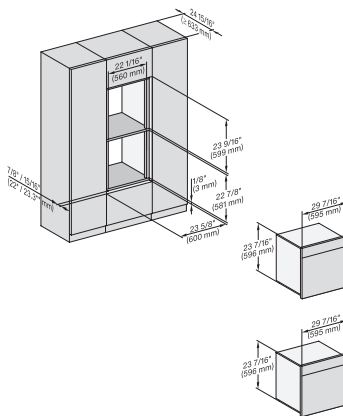
installation Flush inset built-under wide front 650S, Skizze, NA  
7/8" – 22\* mm – Glass, 15/16" – 23.3\*\* mm – Stainless steel



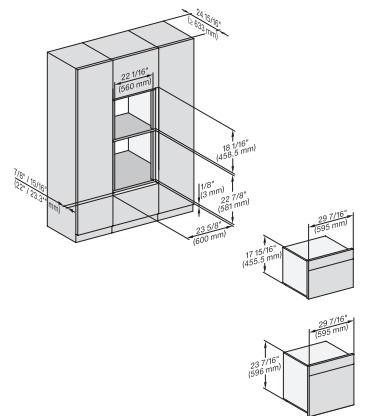
DGC786x(+EBA784B), H7x6xBP(+EBA784B), side view, 30 Zoll, Flush inset, combi, XXL, 650S  
7/8" – 22\* mm – Glass, 15/16" – 23.3\*\* mm – Stainless steel



side view, Flush inset, combi, 650S, ESW  
7/8" – 22\* mm – Glass, 15/16" – 23.3\*\* mm – Stainless steel

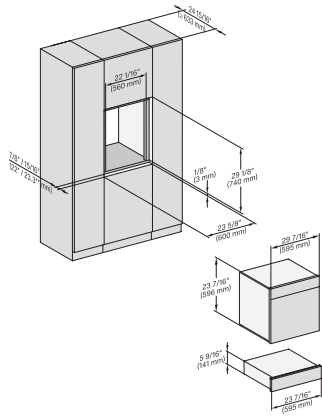


DGC786x, H7x6xBP, Einbau, 30 Zoll, Flush inset, combi, XXL 650S  
7/8" – 22\* mm – Glass, 15/16" – 23.3\*\* mm – Stainless steel



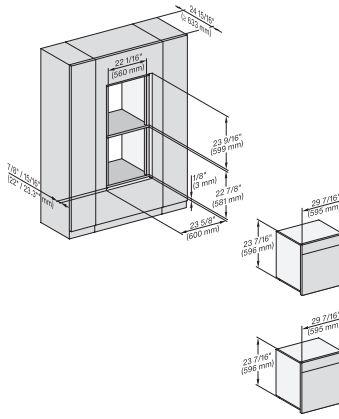
DGC7x4x, H7x40BM, H7x6xBP, Einbau, 30 Zoll Flush inset, combi, 650S, 450S  
7/8" – 22\* mm – Glass, 15/16" – 23.3\*\* mm – Stainless steel

H 7263 BP  
24" oven  
with clear text display, connectivity, and Self Clean.



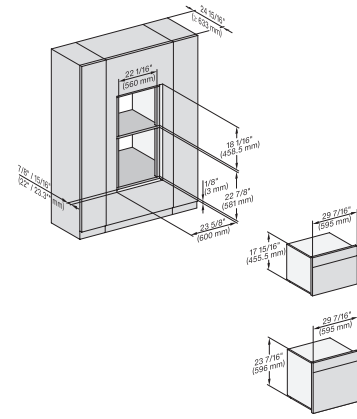
H7x6xBP+EBA7848, ESW7x10, EVS7010, Einbau, 30 Zoll, Flush inset, combi, 650S, ESW

7/8" – 22" mm – Glass, 15/16" – 23.3\*\* mm – Stainless steel



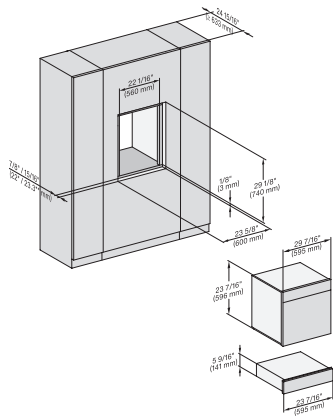
DGC786x, H7x6xBP, Einbau, 30 Zoll, Flush inset, combi, wide front, XXL, 650S

7/8" – 22" mm – Glass, 15/16" – 23.3\*\* mm – Stainless steel



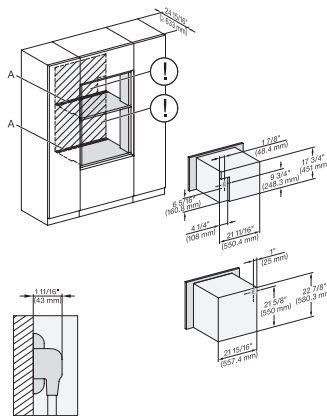
DGC7xxx, H7x40BM, H7x6xBP, Einbau, 30 Zoll, Flush inset, combi, wide front, 650S, 450S

7/8" – 22" mm – Glass, 15/16" – 23.3\*\* mm – Stainless steel



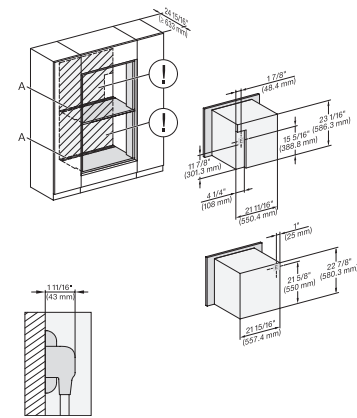
H7x6x+EBA7868, ESW7x10, EVS7010, Einbau, 30 Zoll, Flush inset, wide front, 650S

7/8" – 22" mm – Glass, 15/16" – 23.3\*\* mm – Stainless steel



DGC7x4x(+EBA7848), H7x6xBP(+EBA7848), Installation, 30 Zoll, Flush inset, combi, XL, 650S

A – Cut-out (4" x 28" / 100 mm x 720 mm) in the bottom of the cabinet for power cord and ventilation, – Electrical and water supplies are recommended to be placed in adjacent cabinetry., Additional cabinet depth is required when placing the electrical and water supplies behind the appliance., E = Electric connection

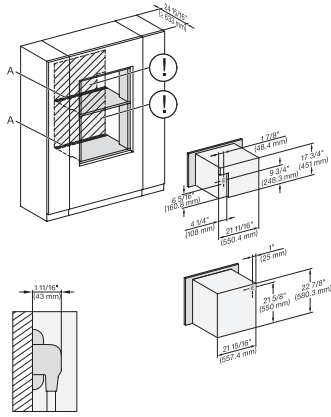


DGC786x+EBA7868, H7x6xBP(+EBA7848), Installation, 30 Zoll, Flush inset, combi, XXL, 650S

A – Cut-out (4" x 28" / 100 mm x 720 mm) in the bottom of the cabinet for power cord and ventilation, – Electrical and water supplies are recommended to be placed in adjacent cabinetry., Additional cabinet depth is required when placing the electrical and water supplies behind the appliance., E = Electric connection

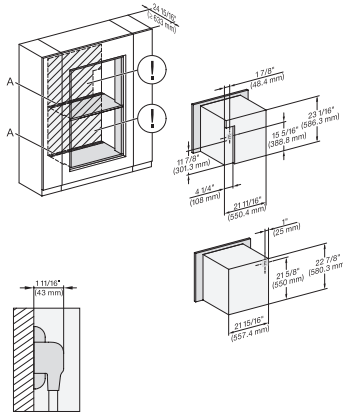


## H 7263 BP 24" oven with clear text display, connectivity, and Self Clean.



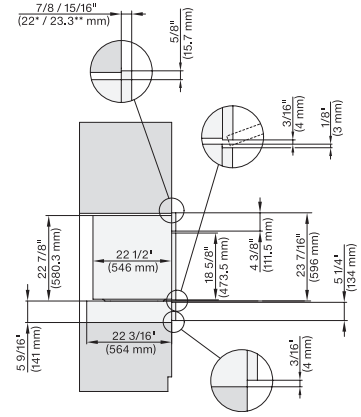
DGC7x4x(+EBA7848), H7x6x(+EBA7848), Installation, 30 Zoll, flush inset, combi, wide front, XL, 650S

A – Cut-out (4" x 28" / 100 mm x 720 mm) in the bottom of the cabinet for power cord and ventilation. – Electrical and water supplies are recommended to be placed in adjacent cabinetry. Additional cabinet depth is required when placing the electrical and water supplies behind the appliance. E = Electric connection



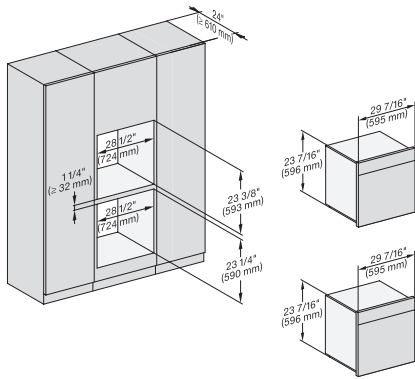
DGC786x(+EBA7848), H7x6xBP(+EBA7848), Installation, 30 Zoll, Flush inset, combi, wide front, 650S, XXL

A – Cut-out (4" x 28" / 100 mm x 720 mm) in the bottom of the cabinet for power cord and ventilation. – Electrical and water supplies are recommended to be placed in adjacent cabinetry. Additional cabinet depth is required when placing the electrical and water supplies behind the appliance. E = Electric connection



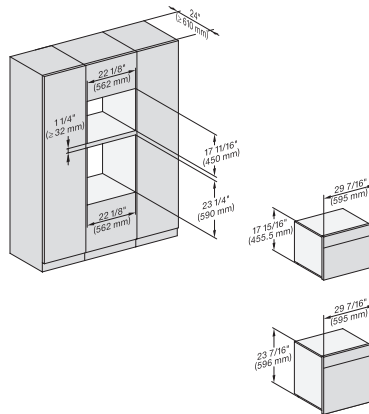
side view, Proud, combi, 650S, ESW

7/8" – 22" mm – Glass, 15/16" – 23.3" mm – Stainless steel



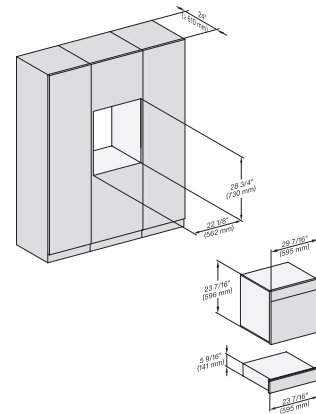
DGC786x, H7x6xBP, Einbau, 30 Zoll, Proud, combi, XXL, 650S

7/8" – 22" mm – Glass, 15/16" – 23.3" mm – Stainless steel



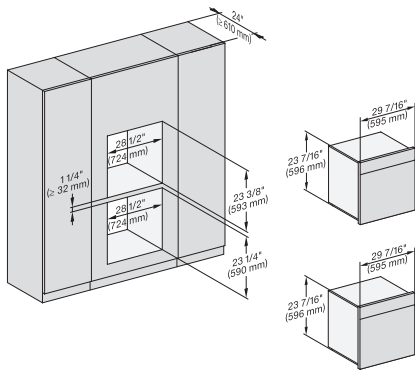
DGC7xxx, H7x4xBM, H7x6xBP, Einbau, 30 Zoll, Proud, combi, 650S, 450S

7/8" – 22" mm – Glass, 15/16" – 23.3" mm – Stainless steel

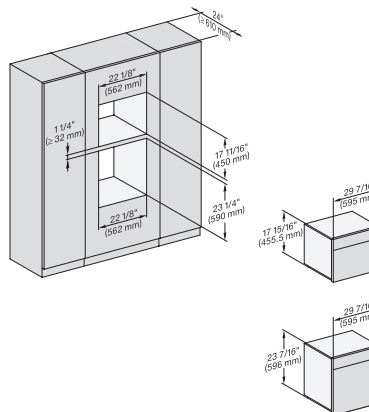


H7x6xBP+EBA7848, ESW7x10, EVS7010, Einbau, 30 Zoll, Proud, combi, 650S

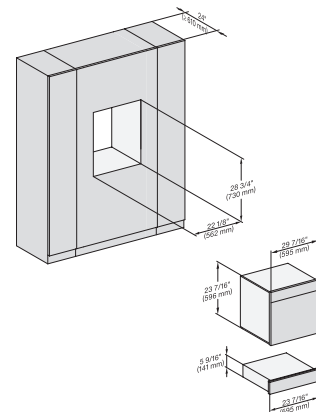
7/8" – 22" mm – Glass, 15/16" – 23.3" mm – Stainless steel



DGC786x, H7x6xBP, Einbau, 30 Zoll, Proud, combi, wide front, XXL

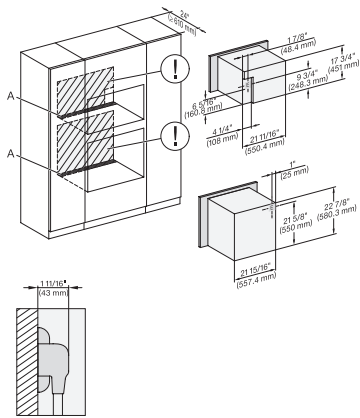


DGC7x4x, H7x40BM, H7x6xBP, Einbau, 30 Zoll, Proud, combi, wide front, 650S, 450S



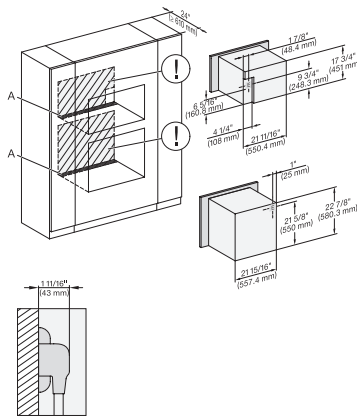
H7x6xBP+EBA7848, ESW7x10, EVS7010, Einbau, 30 Zoll, Proud, combi, wide front, 650S

H 7263 BP  
24" oven  
with clear text display, connectivity, and Self Clean.



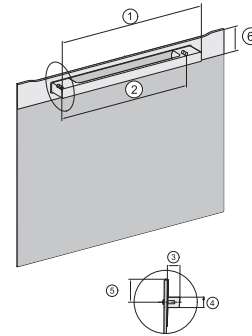
DGC7x4x(+EBA7848), H7x6x(+EBA7848), Installation, 30 Zoll, Proud, combi, XL, 650S

A – Cut-out (4" x 28" / 100 mm x 720 mm) in the bottom of the cabinet for power cord and ventilation. – Electrical and water supplies are recommended to be placed in adjacent cabinetry. Additional cabinet depth is required when placing the electrical and water supplies behind the appliance. E = Electric connection



DGC7x4x(+EBA7848), H7x6xBP(+EBA7848), Installation, 30 Zoll, Proud, combi, wide front, 650S

A – Cut-out (4" x 28" / 100 mm x 720 mm) in the bottom of the cabinet for power cord and ventilation. – Electrical and water supplies are recommended to be placed in adjacent cabinetry. Additional cabinet depth is required when placing the electrical and water supplies behind the appliance. E = Electric connection



Handle H72xx, H76xx, H78xx, PureLine – NA7000 - Installation drawing

H2880BP, H7270BM, H7670BM, H7870BM, H7280BP, H7680BP, H7880BP, H7880BP2.; 19 11/16" / 500 mm, 17 1/2" / 444 mm, 1 7/8" / 47 mm, 15/16" / 24 mm, 1 1/4" / 32,5 mm, 2 9/16" / 65 mm, H7240BM, H7640BM, H7840BM, H7263BP, H7660BP.; 15 3/4" / 400 mm, 14 3/16" / 360 mm, 1 7/8" / 47 mm, 15/16" / 24 mm, 1 1/4" / 32,5 mm, 2 9/16" / 65 mm