

## H 7170 BM

30" compact speed oven

in a perfectly combinable design with automatic programs and combi modes.



- Clear-text display with sensor controls – DirectSensor S
- Easy cleaning – cavity with linen-weave pattern & PerfectClean
- Faster and more consistent results – Quick & Gentle
- Network-enabled WiFi appliance – Miele@home
- What you want is just a button away – Quick MW and Popcorn button

EAN: 4002516484868 / Material number: 11804470 / Old Material Number: 22717046USA

<b>Construction type and design</b>	
Built-in wall speed oven	•
Color	Clean Touch Steel
ContourLine	•
<b>Convenience features</b>	
Quick & Gentle	•
Rapid PreHeat	•
Keep-warm function	•
<b>Operating modes</b>	
Defrost	•
MasterChef automatic programs	•
Auto roast	•
Maxi Broil	•
Convection Bake	•
Convection Roast	•
Microwave	•
Combi Auto Roast	•
Micro Broil	•
Combi Bake	•
Combi Broil	•
Convection Roast	•
<b>User convenience</b>	
Networking with Miele@home	•
Control panel	DirectSensor S
SoftOpen	•
SoftClose	•
3 in 1	Oven, Microwave, Speed oven
Multilingua	•
Popcorn function	•
Time of day display	•
Time synchronization	•
Minute minder	•
Programming start of cooking duration	•
Programming end of cooking duration	•
Programmable cooking time	•
Actual temperature display	•
Audible signal when desired temperature is reached	•
Default temperature	•
Recommended microwave power	•
Minute Plus button	•
Individual settings	•
<b>Cleaning convenience</b>	
Clean Touch Steel surface	•
Stainless-steel cavity with linen surface structure	•
Foldable broil heater element	•
CleanGlass door	•
<b>Safety</b>	
Appliance cooling system and cool touch front	•
Safety cut-out	•

## H 7170 BM

30" compact speed oven

in a perfectly combinable design with automatic programs and combi modes.



EAN: 4002516484868 / Material number: 11804470 / Old Material Number: 22717046USA

System lock

•

### Technical data

Cavity volume in cu.ft (l)	1.52 (43)
No. of rack levels	3
Number of shelf levels oven compartment 1	3
Number of shelf levels oven compartment 2	3
Oven interior lighting	1 LED spot
Temperatures in °F (°C)	85-475 (30-250)
Electronically controlled microwave power	•
Microwave power levels	1 - 7
Niche dimensions (W x H x D) in inches (mm)	28 5/8 (724)-28 5/8 (724) x 18 5/8 (470)-18 5/8 (472) x 24 1/8 (610)
Niche width min. in inches (mm)	28 5/8 (724)
Niche width max. in inches (mm)	28 5/8 (724)
Niche height min. in inches (mm)	18 5/8 (470)
Niche height max. in inches (mm)	18 5/8 (472)
Niche depth in in. (mm)	24 1/8 (610)
Appliance dimensions (W x H x D) in inches (mm)	29 7/8 (757) x 18 7/8 (479) x 22 5/8 (574)
Appliance width in in. (mm)	29 7/8 (757)
Appliance height in in. (mm)	18 7/8 (479)
Appliance depth in in. (mm)	22 5/8 (574)
Weight in lbs. (kg)	88 (39.5)
Weight in lbs. (kg)	87.08 (39.5)
Weight in lbs. (kg)	88 (39.5)
Total connected load in kW	3.40
Power Rating in V	120
Voltage in V	240/208
Frequency in Hz	60
Fuse rating in A	30
Number of phases	1
Connection wire with plug	•
Length of power cord in in. (m)	1.80

### Standard accessories

Wire rack with PerfectClean	1
Glass tray	1

### Available display languages

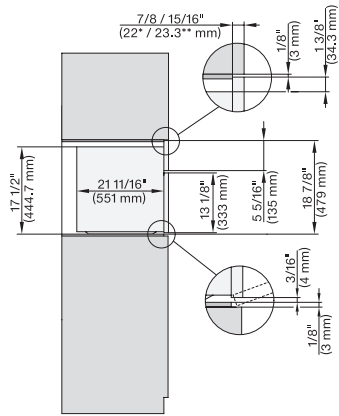
Available display languages via MultiLingua

bahasa malaysia, dansk, deutsch, english, español, français, hrvatski, italiano, magyar, nederlands, norsk, polski, português, русский, română, slovenčina, slovenščina, srpski, suomi, svenska, türkçe, українська, čeština, ελληνικά,

## H 7170 BM

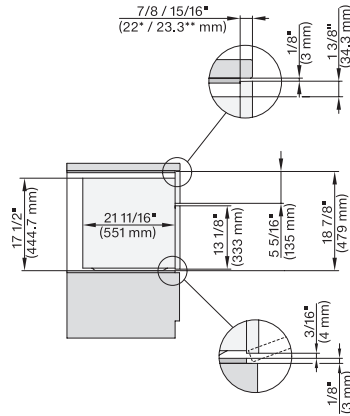
30" compact speed oven

in a perfectly combinable design with automatic programs and combi modes.



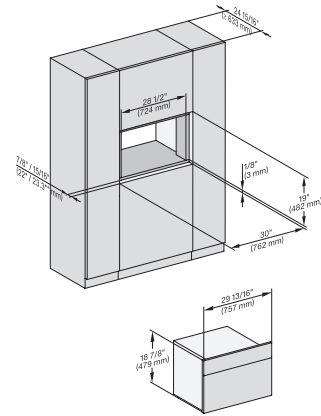
side view 30 inch Flush inset BM30, installation drawing, NA

7/8" – 22" mm – Glas, 15/16" – 23.3\*\* mm – Edelstahl



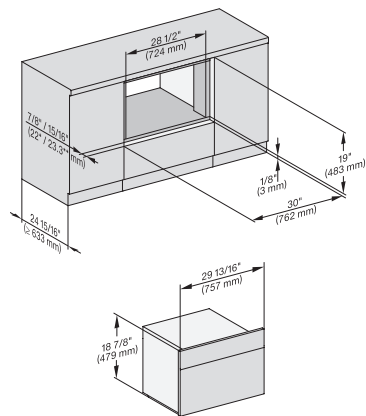
side view 30 inch Flush inset built-under BM30, installation drawing, NA

7/8" – 22" mm – Glas, 15/16" – 23.3\*\* mm – Edelstahl



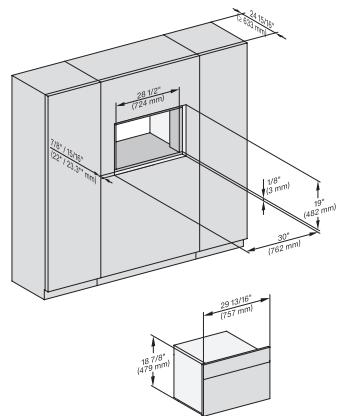
installation 30 inch Flush inset BM30, installation drawing, NA

7/8" – 22" mm – Glas, 15/16" – 23.3\*\* mm – Edelstahl



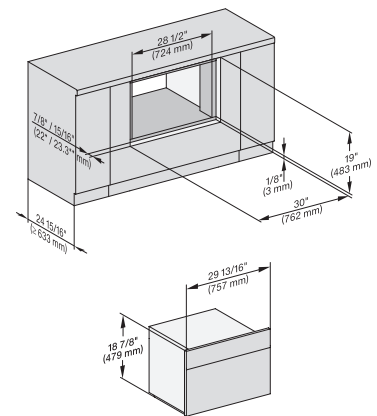
installation 30 Zoll Flush inset built-under BM30, installation drawing, NA

7/8" – 22" mm – Glas, 15/16" – 23.3\*\* mm – Edelstahl



installation 30 inch Flush inset wide front BM30, installation drawing, NA

7/8" – 22" mm – Glas, 15/16" – 23.3\*\* mm – Edelstahl



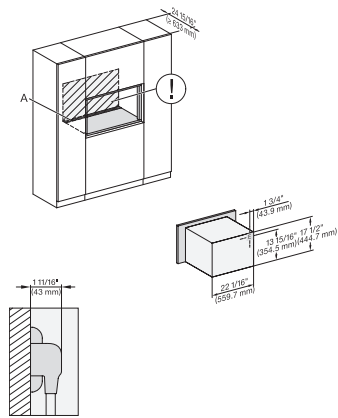
installation 30 inch Flush inset built-under wide front BM30, installation drawing, NA

7/8" – 22" mm – Glas, 15/16" – 23.3\*\* mm – Edelstahl

## H 7170 BM

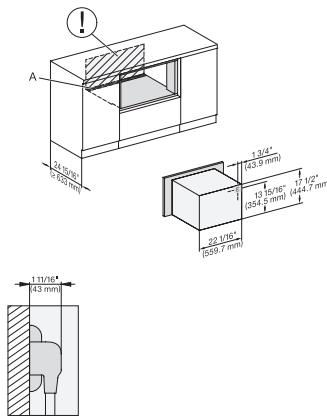
### 30" compact speed oven

in a perfectly combinable design with automatic programs and combi modes.



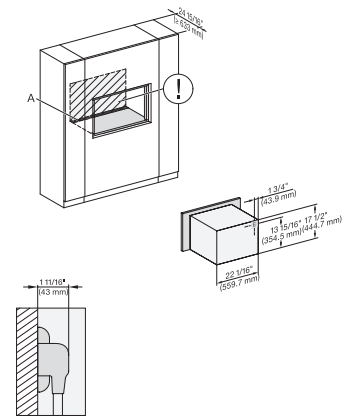
installation 30 inch Flush inset BM30, installation drawing, NA

A – Cut-out (4" x 28" / 100 mm x 720 mm) in the bottom of the cabinet for power cord and ventilation. – Electrical and water supplies are recommended to be placed in adjacent cabinetry. Additional cabinet depth is required when placing the electrical and water supplies behind the appliance. E = Electric connection



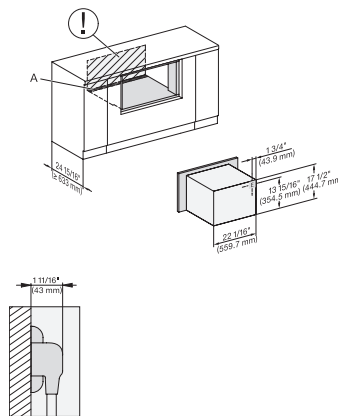
installation 30 inch Flush inset built-under BM30, installation drawing, NA

A – Cut-out (4" x 28" / 100 mm x 720 mm) in the bottom of the cabinet for power cord and ventilation. – Electrical and water supplies are recommended to be placed in adjacent cabinetry. Additional cabinet depth is required when placing the electrical and water supplies behind the appliance. E = Electric connection



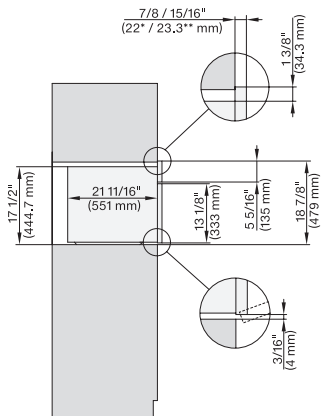
installation 30 inch Flush inset wide front BM30, installation drawing, NA

A – Cut-out (4" x 28" / 100 mm x 720 mm) in the bottom of the cabinet for power cord and ventilation. – Electrical and water supplies are recommended to be placed in adjacent cabinetry. Additional cabinet depth is required when placing the electrical and water supplies behind the appliance. E = Electric connection



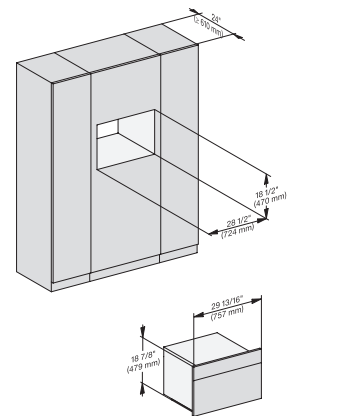
installation 30 inch Flush inset built-under wide front BM30, installation drawing, NA

A – Cut-out (4" x 28" / 100 mm x 720 mm) in the bottom of the cabinet for power cord and ventilation. – Electrical and water supplies are recommended to be placed in adjacent cabinetry. Additional cabinet depth is required when placing the electrical and water supplies behind the appliance. E = Electric connection



side view 30 inch Proud BM30, installation drawing, NA

7/8" – 22" mm – Glas, 15/16" – 23.3" mm – Edelstahl

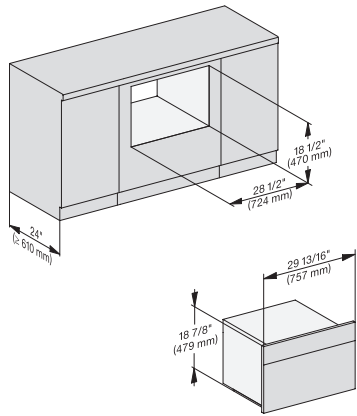


installation 30 inch Proud BM30, installation drawing, NA

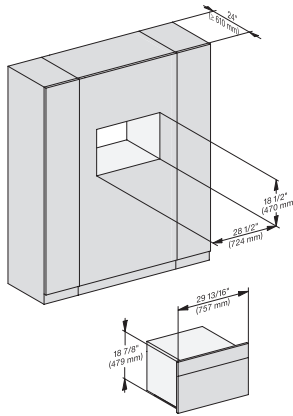
## H 7170 BM

30" compact speed oven

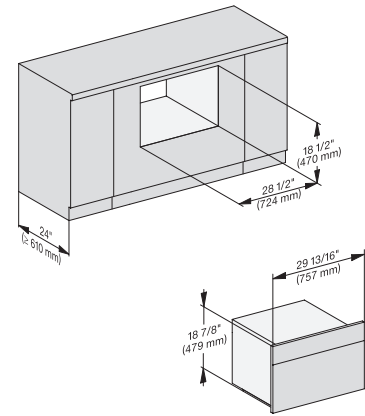
in a perfectly combinable design with automatic programs and combi modes.



installation 30 inch Proud built-under BM30, installation drawing, NA

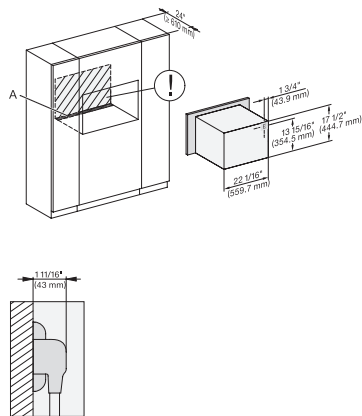


installation 30 inch Proud wide front BM30, installation drawing, NA



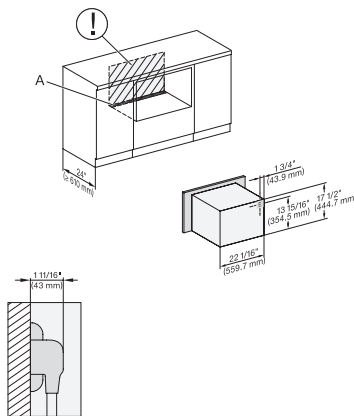
installation 30 inch Proud built-under wide front BM30, installation drawing, NA

7/8" – 22" mm – Glas, 15/16" – 23.3\*\* mm – Edelstahl



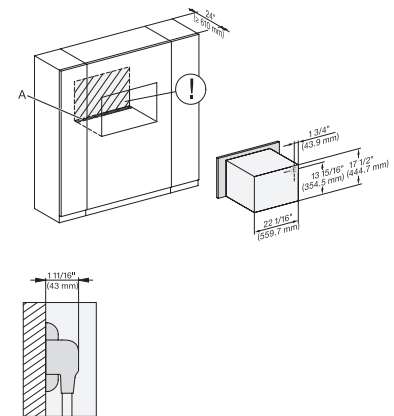
installation 30 inch Proud BM30, installation drawing, NA

A – Cut-out (4" x 28" / 100 mm x 720 mm) in the bottom of the cabinet for power cord and ventilation. – Electrical and water supplies are recommended to be placed in adjacent cabinetry. Additional cabinet depth is required when placing the electrical and water supplies behind the appliance. E = Electric connection



installation 30 inch Proud built-under BM30, installation drawing, NA

A – Cut-out (4" x 28" / 100 mm x 720 mm) in the bottom of the cabinet for power cord and ventilation. – Electrical and water supplies are recommended to be placed in adjacent cabinetry. Additional cabinet depth is required when placing the electrical and water supplies behind the appliance. E = Electric connection,



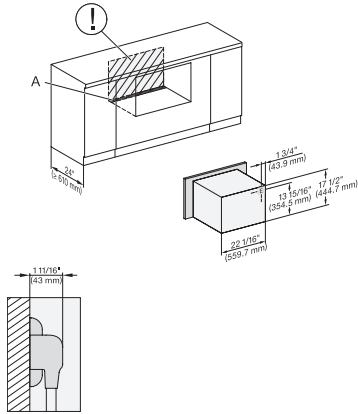
installation 30 inch Proud wide front BM30, installation drawing, NA

A – Cut-out (4" x 28" / 100 mm x 720 mm) in the bottom of the cabinet for power cord and ventilation. – Electrical and water supplies are recommended to be placed in adjacent cabinetry. Additional cabinet depth is required when placing the electrical and water supplies behind the appliance. E = Electric connection

## H 7170 BM

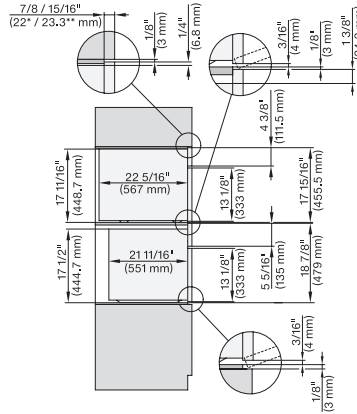
30" compact speed oven

in a perfectly combinable design with automatic programs and combi modes.



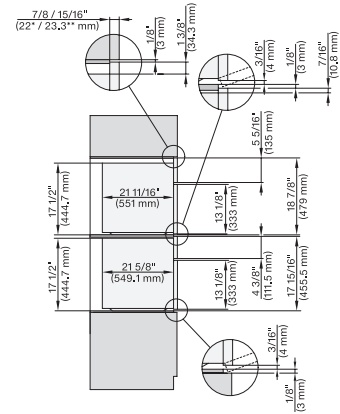
installation 30Zoll Proud built-under wide front BM30, installation drawing, NA

A – Cut-out (4" x 28" / 100 mm x 720 mm) in the bottom of the cabinet for power cord and ventilation. – Electrical and water supplies are recommended to be placed in adjacent cabinetry. Additional cabinet depth is required when placing the electrical and water supplies behind the appliance. E = Electric connection.



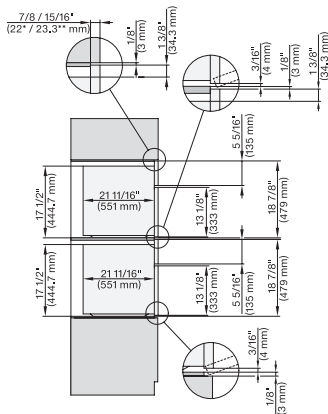
DGC 6x00-1 + EBA 6808, H 6xx0 DVG, DGC 7xxx, H7xxx, EBA 7848 Combi, Installation drawing, Flush inset, NA

7/8" – 22" mm – Glas, 15/16" – 23.3" mm – Edelstahl



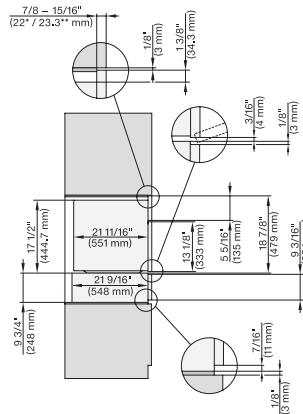
H 6x70 BM, H 6x00 BM + EBA 6808, H 7xxx, EBA 7848 Combi, Installation drawing, Flush inset, NA

7/8" – 22" mm – Glas, 15/16" – 23.3" mm – Edelstahl



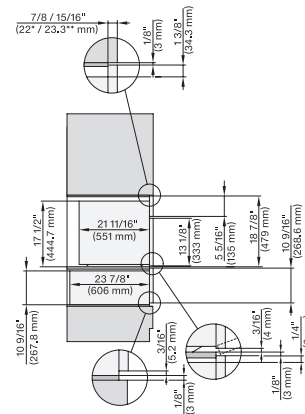
H 6x70 BM, H 7x70, Combi, Installation drawing, Flush inset, NA

7/8" – 22" mm – Glas, 15/16" – 23.3" mm – Edelstahl



H 6x70 BM, ESW 6x85, H7x70, ESW 7x70, EVS 7670 Combi, Installation drawing, Flush inset, NA

7/8" – 22" mm – Glas, 15/16" – 23.3" mm – Edelstahl



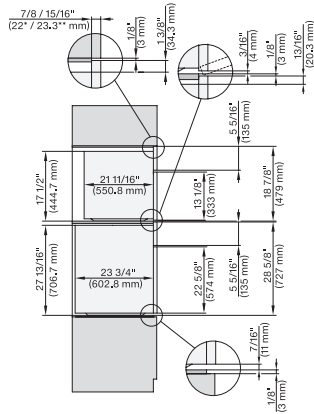
H 6x70 BM, ESW 6x80, H 7x70, ESW 7x80 Combi, Installation drawing, Flush inset, NA

7/8" – 22" mm – Glas, 15/16" – 23.3" mm – Edelstahl

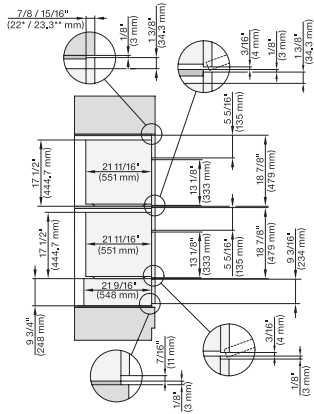
## H 7170 BM

30" compact speed oven

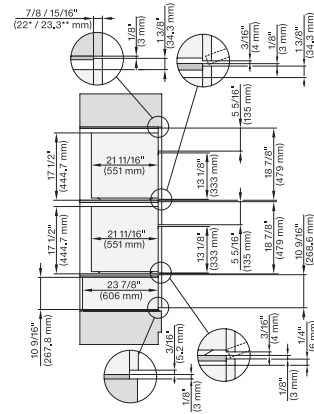
in a perfectly combinable design with automatic programs and combi modes.



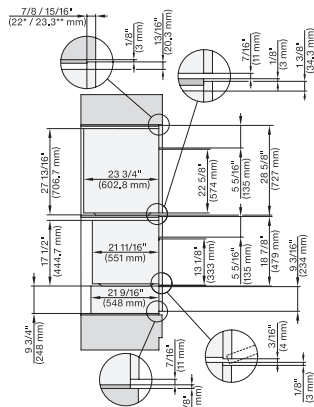
H 6x80 BP, H 6x70 BM, H 6x80-2BP, DGC 7x7x, H 7xxx Combi, Installation drawing, Flush inset, NA  
7/8" – 22" mm – Glas, 15/16" – 23.3" mm – Edelstahl



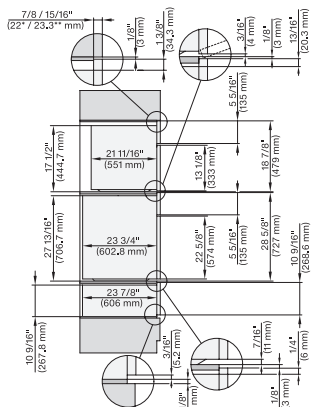
H 6x70 BM, ESW 6x85, DGC7xxx, H7x7x, ESW 7x70 Combi, Installation drawing, Flush inset, Flush inset, NA  
7/8" – 22" mm – Glas, 15/16" – 23.3" mm – Edelstahl



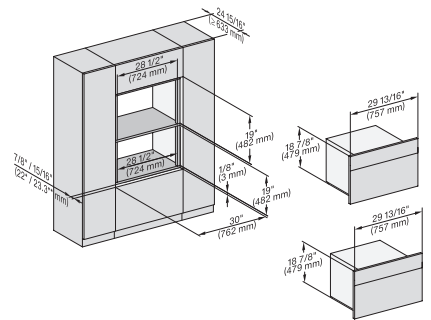
H 6x70 BM, ESW 6x80, DGC7xxx, H7x70, ESW 7x80 Combi, Installation drawing, Flush inset, Flush inset, NA  
7/8" – 22" mm – Glas, 15/16" – 23.3" mm – Edelstahl



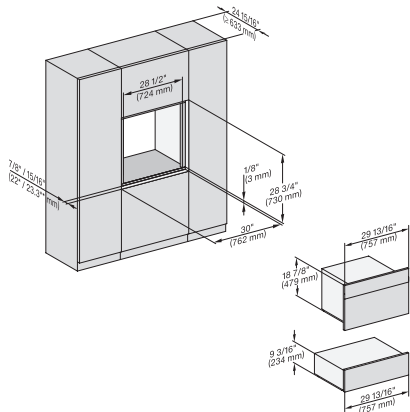
H 6x80 BP, H 6x70 BM, ESW 6x85, H 6x80-2BP, H7xxx, ESW 7x70, EVS7670 Combi, Installation drawing, Flush inset, NA  
7/8" – 22" mm – Glas, 15/16" – 23.3" mm – Edelstahl



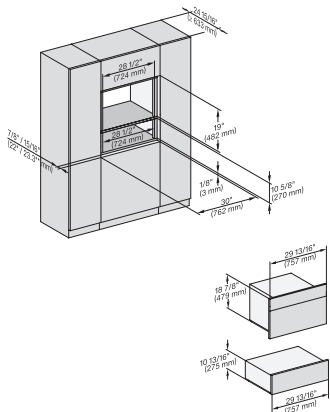
H 6x80 BP, H 6x70 BM, ESW 6x80, H 6x80-2BP, DGC7xxx, H 7xxx, ESW7x80 Combi, Installation drawing, Flush inset, NA  
7/8" – 22" mm – Glas, 15/16" – 23.3" mm – Edelstahl



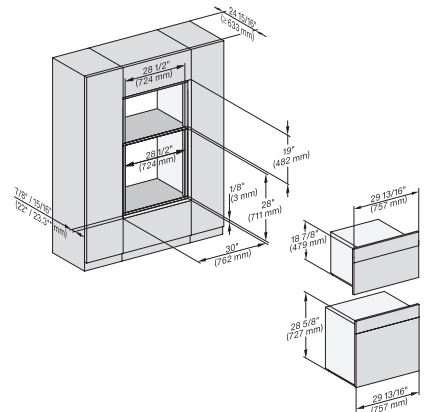
H 6x70 BM, Fitting Combi, H7x70 Installation drawing, Flush inset, NA



H 6x70 BM, ESW 6x85, DGC7x7x, H7x7x, Exx7x70 Fitting Combi, Installation drawing, Flush inset, NA



H 6x70 BM, ESW 6x80, DGC7x7x, H7x7x, ESW7x80 Fitting Combi, Installation drawing, Flush inset, NA

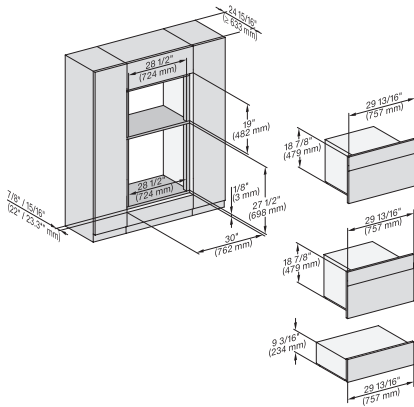


H 6x80 BP, H 6x70 BM, H 6x80-2BP, DGC7x7x, H7xxx Fitting Combi, Installation drawing, Flush inset, NA

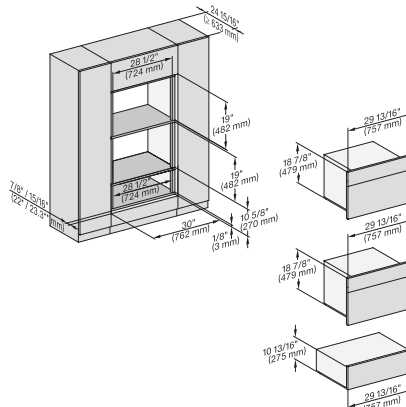
## H 7170 BM

30" compact speed oven

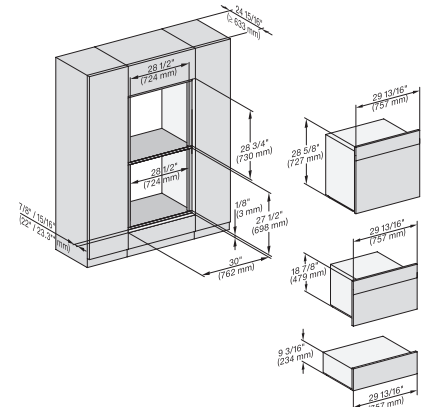
in a perfectly combinable design with automatic programs and combi modes.



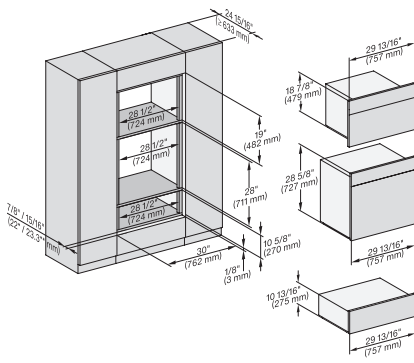
H 6x70 BM, ESW 6x85, H7x70, ESW 7x70, EVS7670 Fitting Combi, Installation drawing, Flush inset, NA



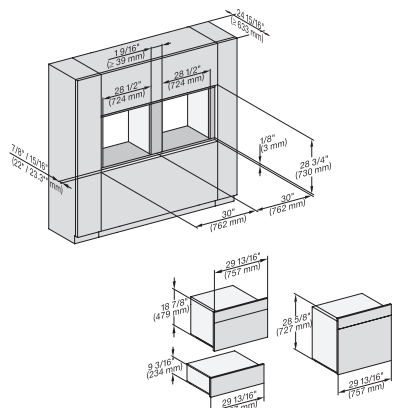
H 6x70 BM, ESW 6x80, H7x70, ESW 7x80 Fitting Combi, Installation drawing, Flush inset, NA



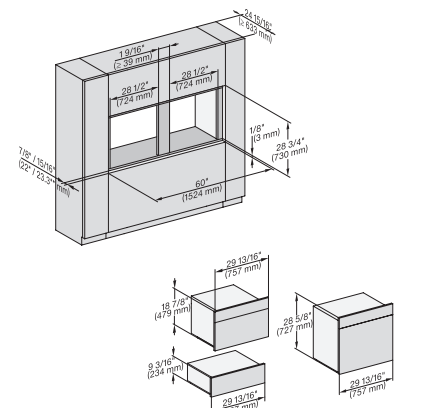
H 6x80 BP, H 6x70 BM, ESW 6x85, H 6x80-2BP, H7xxx BM/BX, H2x80BP, ESW7x70, EVS7670 Installation drawing, Flush inset, NA



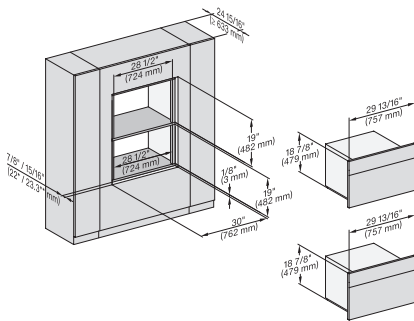
H 6x80 BP, H 6x70 BM, ESW 6x80, H 6x80-2BP, DGC7xxx, H7xxxBM/BMX/BP/BPX, H2x80BP, ESW7x80, Installation drawing, NA



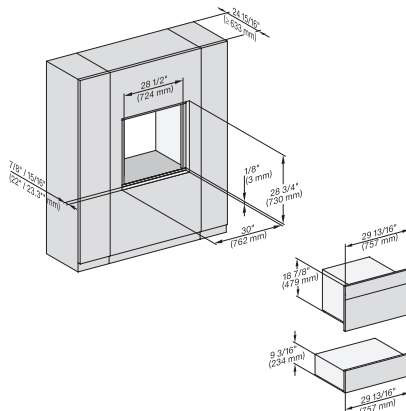
H 6x80BP, H 6x70 BM, ESW 6x85, H 6x80-2BP, H7xxx BM/BP/BPX/BMX, ESW7x70, EVS7670, Installation drawing, Flush inset, NA



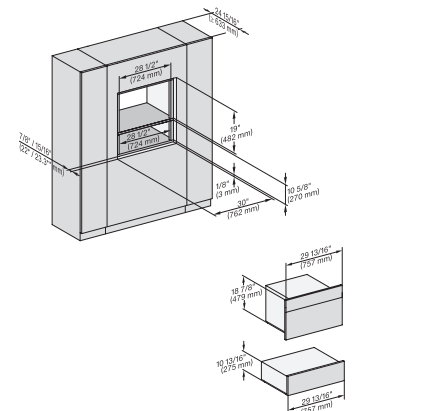
H 6x80 BP, H 6x70 BM, ESW 6x85, H 6x80-2BP, H 7xxx BP/BM/BPX/BMX, EXX 7x70 Fitting Combi side by side without wall, NA



H 6x70 BM, Fitting Combi wide front, Installation drawing, Flush inset, NA



H 6x70 BM, ESW 6x85, DGC 7xxx, H7x70 BM/BMX, ESW 7x70, EVS 7670, Installation drawing, Flush inset, NA



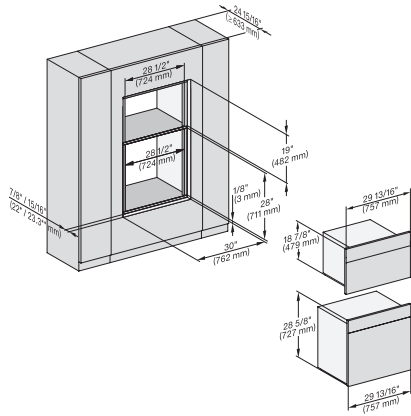
H 6x70 BM, ESW 6x80, DGC7x7x, H7x70 BM/BMX, ESW 7x80 Fitting Combi wide front, Installation drawing, Flush inset, NA



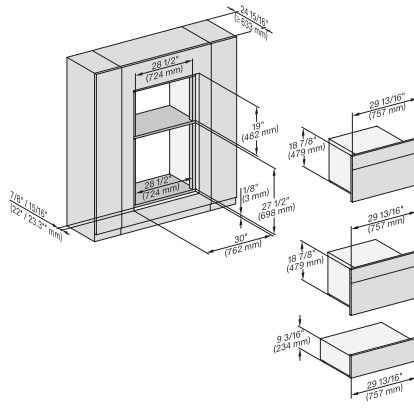
## H 7170 BM

30" compact speed oven

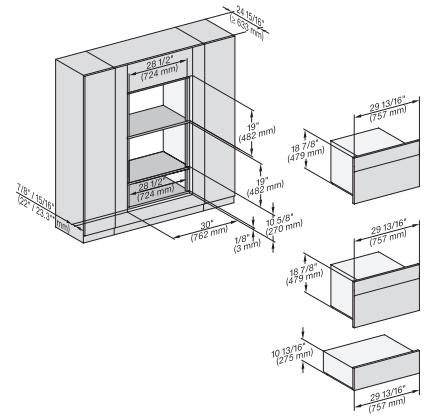
in a perfectly combinable design with automatic programs and combi modes.



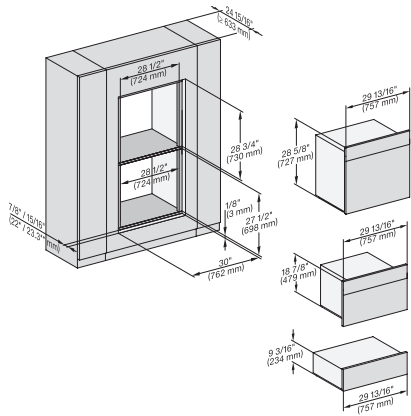
H 6x80 BP, H 6x70 BM, H 6x80-2BP, DGC 7x7x, H7xxx x BM/BP/BPX, H 2880 PB, Installation drawing, Flush inset, NA



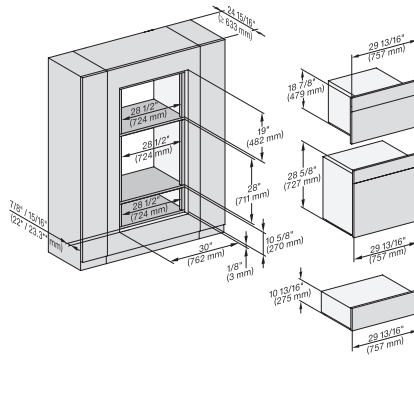
H 6x70 BM, ESW 6x85, H7x70 BM/BMX, ESW 7x70, EVS 7670 Installation drawing, Flush inset, NA



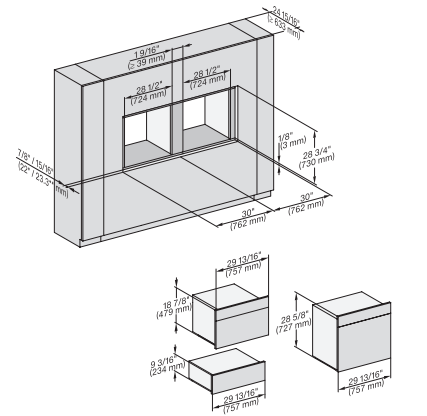
H 6x70 BM, ESW 6x80, H 7x70 BM/BMX, ESW 7x80, Fitting Combi wide front, Installation drawing, Flush inset, NA



H 6x80 BP, H 6x70 BM, ESW 6x85, H 6x80-2BP, H2x80BP, H7xx0BP/BM/BPX, ESW7x70, EVS7670 Flush inset, NA



H 6x80 BP, H 6x70 BM, ESW 6x80, H 6x80-2BP, DGC7x7x, H7xxxBM/BMX/BP, H2xxxBP, ESW7xxx, NA

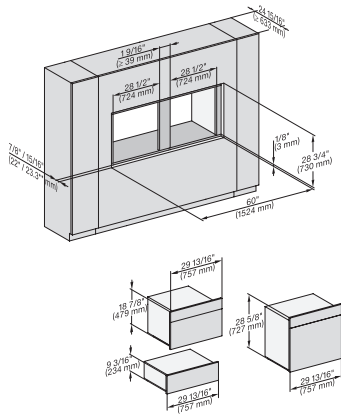


H 6x80 BP, H 6x70 BM, ESW 6x85, H 6x80-2BP, H7x70BM/BMX, ESW 7x70, EVS 7670, Installation drawing, Flush inset, NA

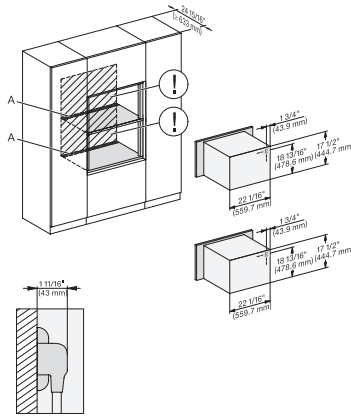
## H 7170 BM

30" compact speed oven

in a perfectly combinable design with automatic programs and combi modes.

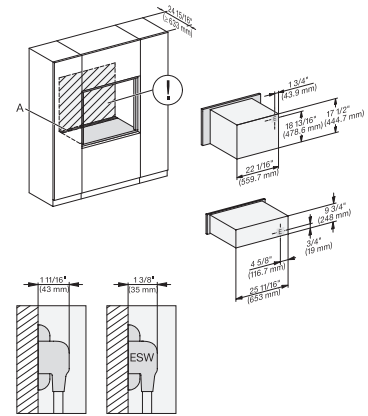


H 6x80 BP, H 6x70 BM, ESW 6x85, H 6x80-2BP, H7x80 BP/BPX/BM/BMX, EWS 7x70, EVS 7670 drawing, Flush inset, NA



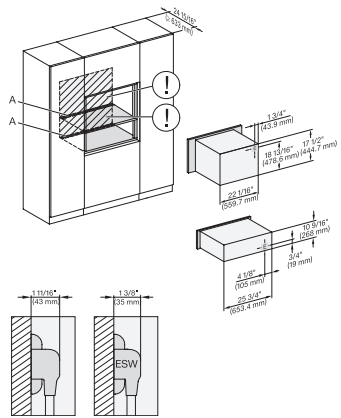
H 6x70 BM, H 7x70 BM/BMX Installation Combi, Installation drawing, Flush inset, NA

A – Cut-out (4" x 28" / 100 mm x 720 mm) in the bottom of the cabinet for power cord and ventilation, – Electrical and water supplies are recommended to be placed in adjacent cabinetry., Additional cabinet depth is required when placing the electrical and water supplies behind the appliance., E = Electric connection



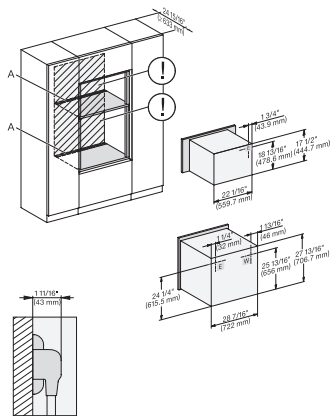
H 6x70 BM, ESW 6x85, H 7x70 BM/BMX, ESW 7x70, EVS 7670 Installation Combi, Installation drawing, Flush inset, NA

A – Cut-out (4" x 28" / 100 mm x 720 mm) in the bottom of the cabinet for power cord and ventilation, – Electrical and water supplies are recommended to be placed in adjacent cabinetry., Additional cabinet depth is required when placing the electrical and water supplies behind the appliance., E = Electric connection



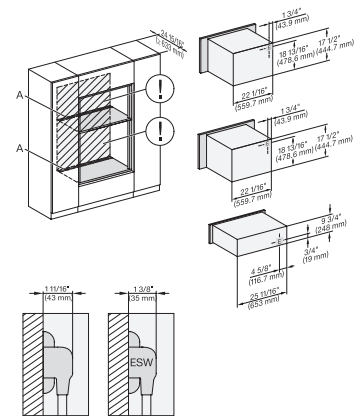
H 6x70 BM, ESW 6x80, H 7x70 BM/BMX, ESW 7x80 Installation Combi, Installation drawing, Flush inset, NA

A – Cut-out (4" x 28" / 100 mm x 720 mm) in the bottom of the cabinet for power cord and ventilation, – Electrical and water supplies are recommended to be placed in adjacent cabinetry., Additional cabinet depth is required when placing the electrical and water supplies behind the appliance., E = Electric connection



H 6x80 BP, H 6x70 BM, H 6x80-2BP, H 7xxx BM/BMX/BP/BPX, H 2x90BP Installation drawing, Flush inset, NA

A – Cut-out (4" x 28" / 100 mm x 720 mm) in the bottom of the cabinet for power cord and ventilation, – Electrical and water supplies are recommended to be placed in adjacent cabinetry., Additional cabinet depth is required when placing the electrical and water supplies behind the appliance., E = Electric connection



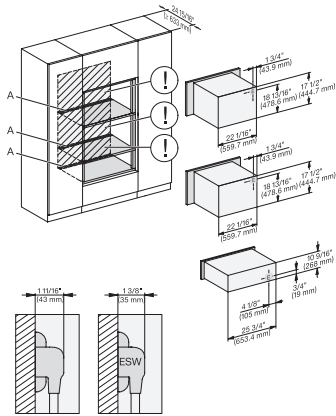
H 6x70 BM, ESW 6x85, H7x70 BM/BMX, ESW 7x70, EVS 7670 Installation Combi, Installation drawing, Flush inset, NA

A – Cut-out (4" x 28" / 100 mm x 720 mm) in the bottom of the cabinet for power cord and ventilation, – Electrical and water supplies are recommended to be placed in adjacent cabinetry., Additional cabinet depth is required when placing the electrical and water supplies behind the appliance., E = Electric connection

## H 7170 BM

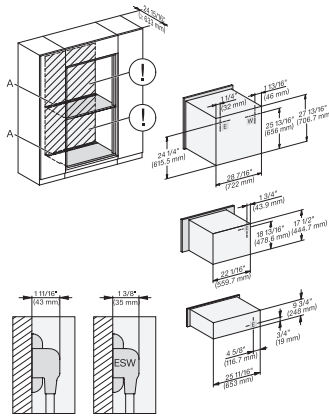
30" compact speed oven

in a perfectly combinable design with automatic programs and combi modes.



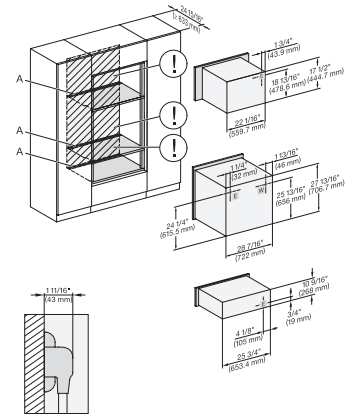
H 6x70 BM, ESW 6x80, H 7x70BM/BMX, ESW 7x80 Installation Combi, Installation drawing, Flush inset, NA

A – Cut-out (4" x 28" / 100 mm x 720 mm) in the bottom of the cabinet for power cord and ventilation, – Electrical and water supplies are recommended to be placed in adjacent cabinetry., Additional cabinet depth is required when placing the electrical and water supplies behind the appliance., E = Electric connection



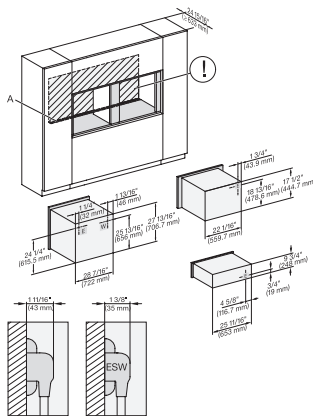
H 6x80 BP, H 6x70 BM, ESW 6x85, H 6x80-2BP, H2880BP, H7xxxBP/BPX/BM/BMX, Exx7670, Installation drawing, Flush inset, NA

A – Cut-out (4" x 28" / 100 mm x 720 mm) in the bottom of the cabinet for power cord and ventilation, – Electrical and water supplies are recommended to be placed in adjacent cabinetry., Additional cabinet depth is required when placing the electrical and water supplies behind the appliance., E = Electric connection



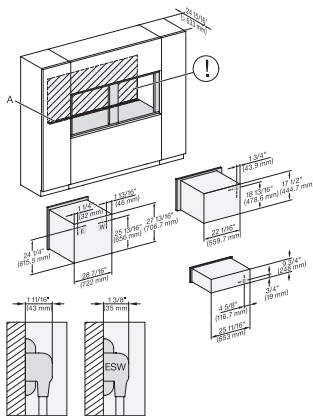
H 6x80BP, H 6x70 BM, ESW 6x80, H 6x80-2BP, H 2880BP, H 7xxxBP/BPX/BM/BMX, ESW 7x80 Installation drawing, Flush inset, NA

A – Cut-out (4" x 28" / 100 mm x 720 mm) in the bottom of the cabinet for power cord and ventilation, – Electrical and water supplies are recommended to be placed in adjacent cabinetry., Additional cabinet depth is required when placing the electrical and water supplies behind the appliance., E = Electric connection



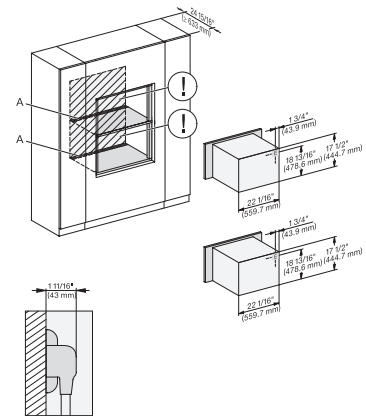
H 6x80BP, H 6x70BM, ESW 6x85, H 6x80-2BP, H2x80BP, H 7x80BP/BPX, ESW 7x70, EVS7670, Install. drawing, Flush inset, NA

A – Cut-out (4" x 28" / 100 mm x 720 mm) in the bottom of the cabinet for power cord and ventilation, – Electrical and water supplies are recommended to be placed in adjacent cabinetry., Additional cabinet depth is required when placing the electrical and water supplies behind the appliance., E = Electric connection



H 6x80 BP, H 6x70 BM, ESW 6x85, H 6x80-2BP, H 2x80BP, H 7x80BP/BPX, ESW 7x70, EVS 7670, drawing, Flush inset, NA

A – Cut-out (4" x 28" / 100 mm x 720 mm) in the bottom of the cabinet for power cord and ventilation, – Electrical and water supplies are recommended to be placed in adjacent cabinetry., Additional cabinet depth is required when placing the electrical and water supplies behind the appliance., E = Electric connection



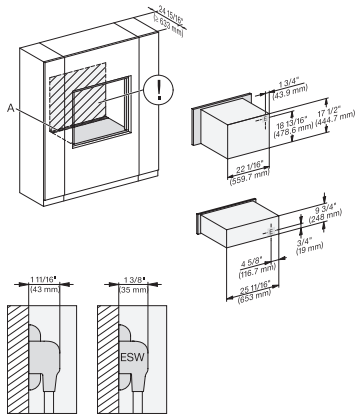
H 6x70 BM, H 7x70BM/BMX Installation Combi wide front, Installation drawing, Flush inset, NA

A – Cut-out (4" x 28" / 100 mm x 720 mm) in the bottom of the cabinet for power cord and ventilation, – Electrical and water supplies are recommended to be placed in adjacent cabinetry., Additional cabinet depth is required when placing the electrical and water supplies behind the appliance., E = Electric connection

## H 7170 BM

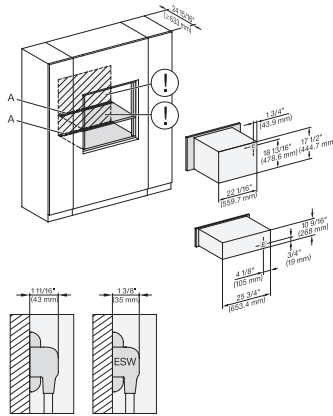
30" compact speed oven

in a perfectly combinable design with automatic programs and combi modes.



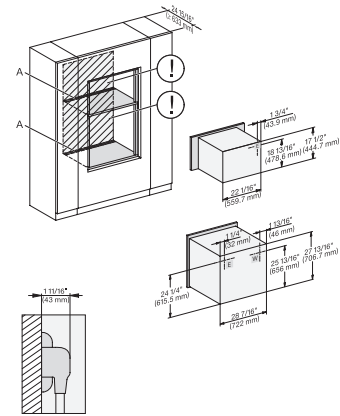
H 6x70 BM, ESW 6x85, H 7x70BM/BMX, ESW 7x70, EVS 7670, Installation drawing, Flush inset, NA

A – Cut-out (4" x 28" / 100 mm x 720 mm) in the bottom of the cabinet for power cord and ventilation. – Electrical and water supplies are recommended to be placed in adjacent cabinetry. Additional cabinet depth is required when placing the electrical and water supplies behind the appliance. E = Electric connection



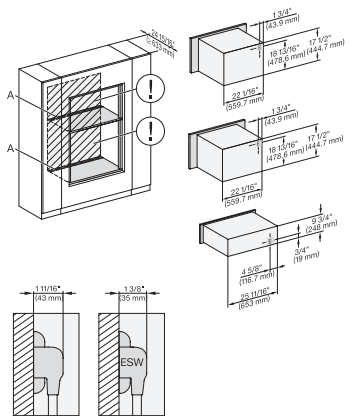
H 6x70 BM, ESW 6x80, H 7x70BM/BMX, ESW 7x80, Installation drawing, Flush inset, NA

A – Cut-out (4" x 28" / 100 mm x 720 mm) in the bottom of the cabinet for power cord and ventilation. – Electrical and water supplies are recommended to be placed in adjacent cabinetry. Additional cabinet depth is required when placing the electrical and water supplies behind the appliance. E = Electric connection



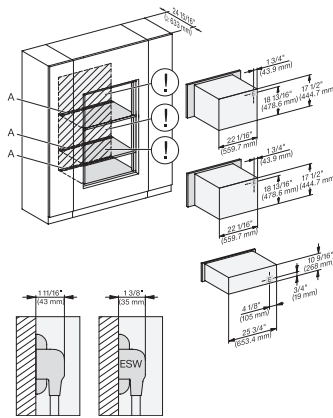
H 6x80 BP, H 6x70 BM, H 6x80-2BP, H 2x80BP, H 7x8xBP/BPX Installation drawing, Flush inset, NA

A – Cut-out (4" x 28" / 100 mm x 720 mm) in the bottom of the cabinet for power cord and ventilation. – Electrical and water supplies are recommended to be placed in adjacent cabinetry. Additional cabinet depth is required when placing the electrical and water supplies behind the appliance. E = Electric connection



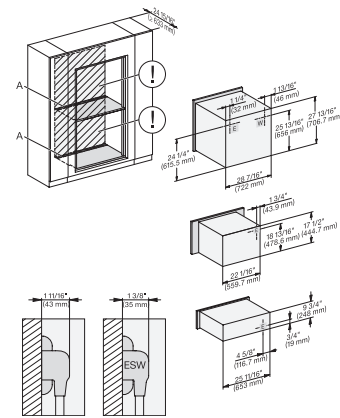
H 6x70 BM, ESW 6x85, H 7x70 BM/BMX, ESW 7x70, EVS 7670, Installation drawing, Flush inset, NA

A – Cut-out (4" x 28" / 100 mm x 720 mm) in the bottom of the cabinet for power cord and ventilation. – Electrical and water supplies are recommended to be placed in adjacent cabinetry. Additional cabinet depth is required when placing the electrical and water supplies behind the appliance. E = Electric connection



H 6x70 BM, ESW 6x80, H 7x70 BM/BMX, ESW 7x80, Installation drawing, Flush inset, NA

A – Cut-out (4" x 28" / 100 mm x 720 mm) in the bottom of the cabinet for power cord and ventilation. – Electrical and water supplies are recommended to be placed in adjacent cabinetry. Additional cabinet depth is required when placing the electrical and water supplies behind the appliance. E = Electric connection



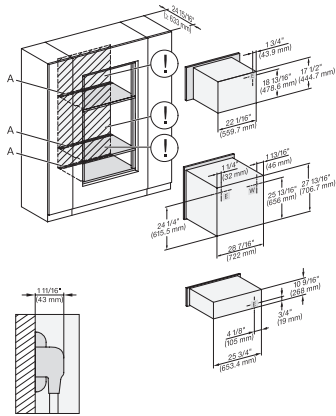
H 6x80 BP, H 6x70 BM, ESW 6x85, H 6x80-2BP, H 2880BP, H 7xxx BP/BPX/BM/BMX, Exx 7x70, Flush inset, NA

A – Cut-out (4" x 28" / 100 mm x 720 mm) in the bottom of the cabinet for power cord and ventilation. – Electrical and water supplies are recommended to be placed in adjacent cabinetry. Additional cabinet depth is required when placing the electrical and water supplies behind the appliance. E = Electric connection

## H 7170 BM

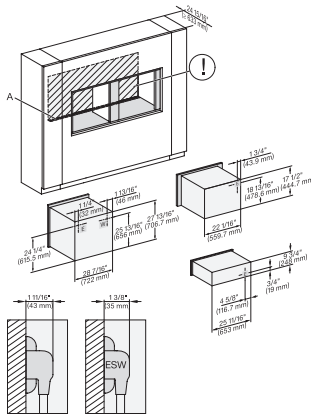
30" compact speed oven

in a perfectly combinable design with automatic programs and combi modes.



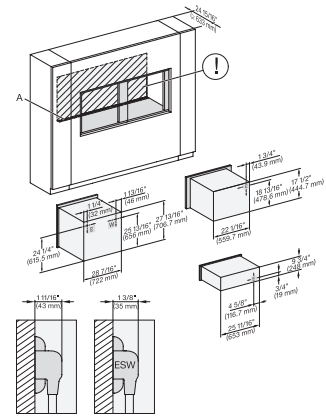
H 6x80 BP, H 6x70 BM, ESW 6x80, H 6x80-2BP, H 2x80BP, H 7xxx BP/BPX/BM/BMX, ESW 7x80, Flush inset, NA

A – Cut-out (4" x 28" / 100 mm x 720 mm) in the bottom of the cabinet for power cord and ventilation. – Electrical and water supplies are recommended to be placed in adjacent cabinetry. Additional cabinet depth is required when placing the electrical and water supplies behind the appliance. E = Electric connection



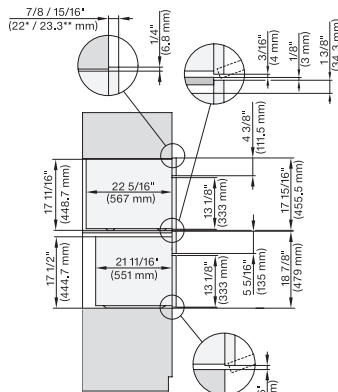
H 6x80BP, H 6x70 BM, ESW 6x85, H 6x80-2BP, H 2x80BP, H 7x80BP/BPX, ESW 7x70, EVS 7670, Install. drawing, Flush inset, NA

A – Cut-out (4" x 28" / 100 mm x 720 mm) in the bottom of the cabinet for power cord and ventilation. – Electrical and water supplies are recommended to be placed in adjacent cabinetry. Additional cabinet depth is required when placing the electrical and water supplies behind the appliance. E = Electric connection



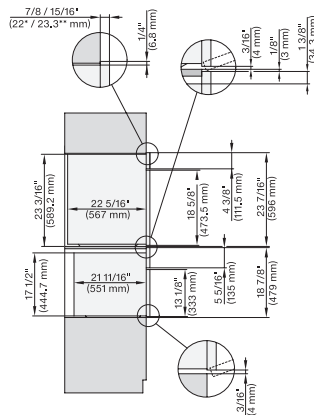
H6x80 BP, H6x70 BM, ESW6x85, H6x80-2BP, H2x80BP, H 7x80 BP/BPX, ESW 7x70, EVS 7670, Flush inset, NA

A – Cut-out (4" x 28" / 100 mm x 720 mm) in the bottom of the cabinet for power cord and ventilation. – Electrical and water supplies are recommended to be placed in adjacent cabinetry. Additional cabinet depth is required when placing the electrical and water supplies behind the appliance. E = Electric connection



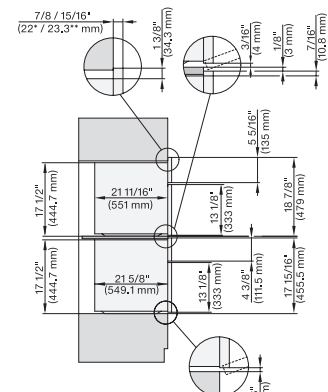
DGC 6x00-1 + EBA 6808, H 6x00 BM, DGC7x4x+EBA7848, H7x70BM(X), Combi, Installation drawing, Proud, NA

7/8" – 22" mm – Glas, 15/16" – 23.3" mm – Edelstahl



DGC 6x6x (AM) + EBA 6808, H 6x70 BM, DGC786x+EBA7868, H7x70BM(X), Combi, Installation drawing, Proud, NA

7/8" – 22" mm – Glas, 15/16" – 23.3" mm – Edelstahl



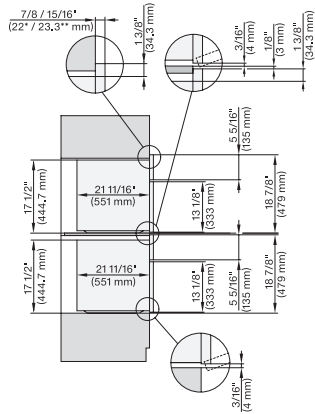
H 6x70 BM, H 6x00 BM + EBA 6808, H7x70BM+EBA7848, Combi, Installation drawing, Proud, NA

7/8" – 22" mm – Glas, 15/16" – 23.3" mm – Edelstahl

## H 7170 BM

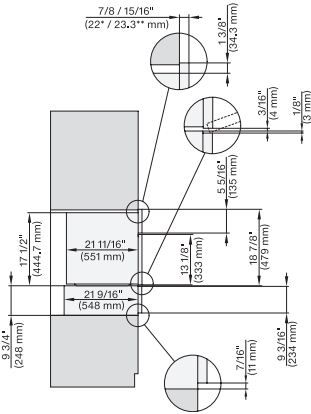
30" compact speed oven

in a perfectly combinable design with automatic programs and combi modes.



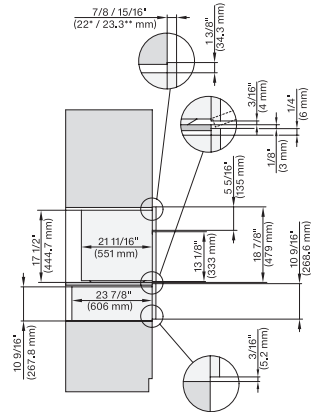
H 6x70 BM, H7x70BM(X), Combi, Installation drawing, Proud, NA

7/8" – 22" mm – Glas, 15/16" – 23.3" mm – Edelstahl



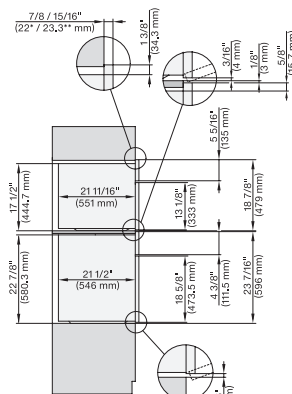
H 6x70 BM, ESW 6x85, H7x70BM(X), ESW7x70, EVS7670, Combi, Installation drawing, Proud, NA

7/8" – 22" mm – Glas, 15/16" – 23.3" mm – Edelstahl



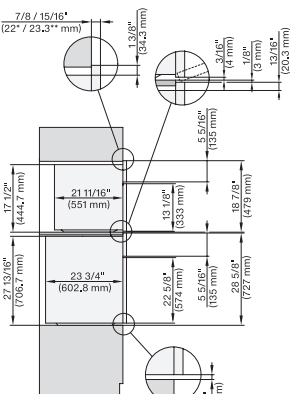
H 6x70 BM, ESW 6x80, H7x70BM(X), ESW7x80, Combi, Installation drawing, Proud, NA

7/8" – 22" mm – Glas, 15/16" – 23.3" mm – Edelstahl



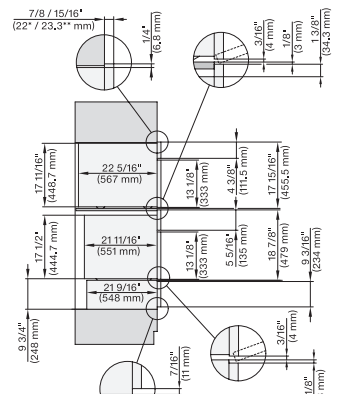
H6560B + EBA6808, H6x60BP + EBA6808, H6x70BM, DGC7xxxx+EBA7484, H7xxx+EBA7686, Combi, Installation drawing, Proud, NA

7/8" – 22" mm – Glas, 15/16" – 23.3" mm – Edelstahl



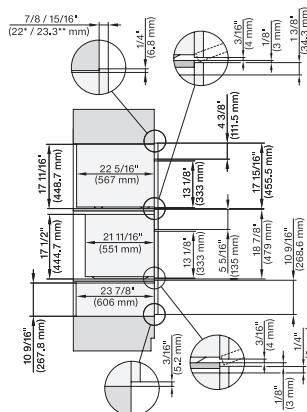
H 6x80 BP, H 6x70 BM, H 6x80-2BP, DGC7x7x, H7x70BM, H7x80BPX, Combi, Installation drawing, Proud, NA

7/8" – 22" mm – Glas, 15/16" – 23.3" mm – Edelstahl



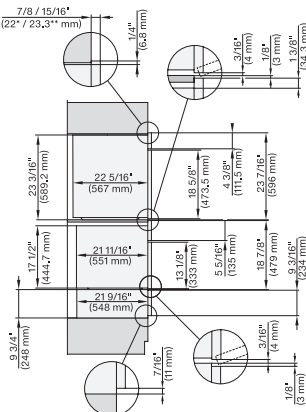
DGC6x00-1+EBA6808, H6x70BM, ESW6x85, DGC7x0+EBA7848, H7x70BM(X), ESW7x70, EVS7670, Combi, Installation drawing, Proud, NA

7/8" – 22" mm – Glas, 15/16" – 23.3" mm – Edelstahl



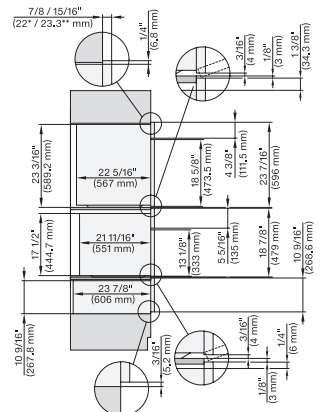
DGC 6x00-1 + EBA 6808, H 6x70 BM, ESW 6x80, DGC7x40+EBA7848, H7x70BM(X), ESW7x80, Combi, Installation drawing, Proud, NA

7/8" – 22" mm – Glas, 15/16" – 23.3" mm – Edelstahl



DGC6x6x+EBA6808, H6x70BM, ESW6x85, DGC786x+EBA7868, H7x70BM(X), ESW7x70, EVS7670, Combi, Installation drawing, Proud, NA

7/8" – 22" mm – Glas, 15/16" – 23.3" mm – Edelstahl



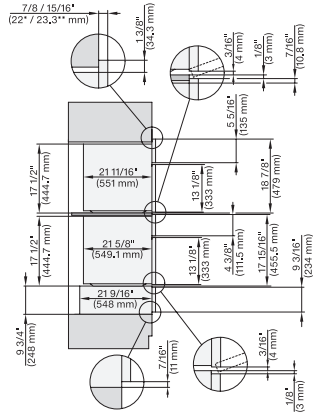
DGC6x6x+EBA6808, H6x70BM, ESW6x80, DGC786x+EBA7868, H7x70BM(X), ESW7x80, Combi, Installation drawing, Proud, NA

7/8" – 22" mm – Glas, 15/16" – 23.3" mm – Edelstahl

## H 7170 BM

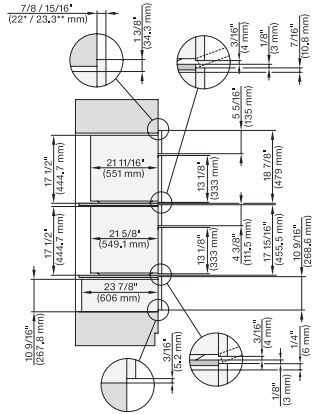
30" compact speed oven

in a perfectly combinable design with automatic programs and combi modes.



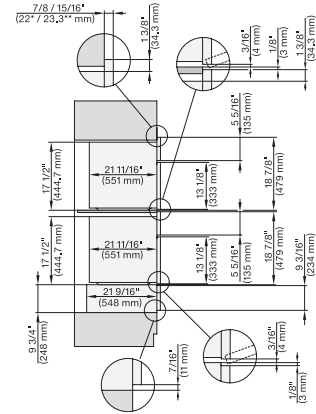
H6x70BM, H6x00BM+EBA6808, ESW6x85, DGC7x70, H7xx0BM(X)+EBA7848, ESW7x70, EVS7670, Combi, Installation drawing, Proud, NA

7/8" – 22" mm – Glas, 15/16" – 23.3" mm – Edelstahl



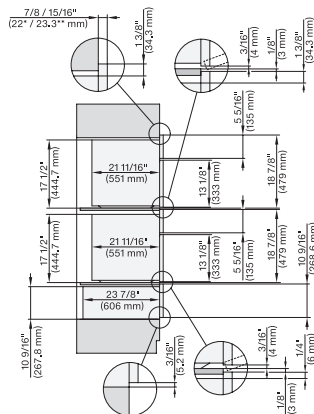
H6x70BM, H6x00BM+EBA6808, ESW6x80, DGC7x7(X), H7xx0BM(X)+EBA7848, ESW7x80, Combi, Installation drawing, Proud, NA

7/8" – 22" mm – Glas, 15/16" – 23.3" mm – Edelstahl



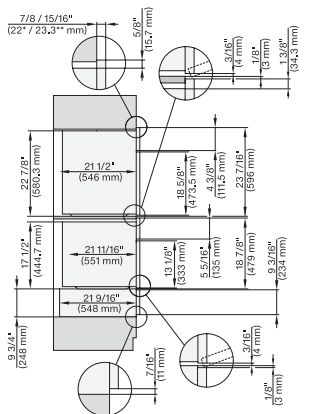
H6x70BM, ESW6x85, DGC7x7(X), H7x70BM, ESW7x70, EVS7670, Combi, Installation drawing, Proud, Flush inset, NA

7/8" – 22" mm – Glas, 15/16" – 23.3" mm – Edelstahl



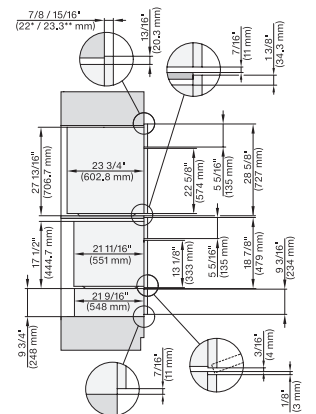
H6x70BM, ESW6x80, DGC7x7(X), H7x70BM, ESW7x80, Combi, Installation drawing, Proud, Flush inset, NA

7/8" – 22" mm – Glas, 15/16" – 23.3" mm – Edelstahl



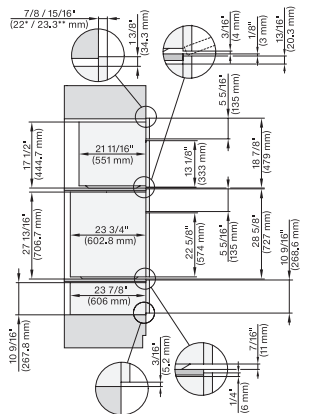
H6x60B(P)+EBA6808, H6x70BM, ESW6x85, H7x6x+EBA7868, H7x70BM, ESW7x70, EVS7x70 Combi Installation drawing Proud Flush inset

7/8" – 22" mm – Glas, 15/16" – 23.3" mm – Edelstahl



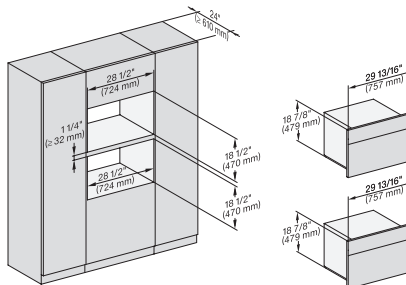
H6x80BP, H6x70BM, ESW6x85, H6x80-2BP, H7x80BP(X), H7x70BM(X), ESW7x70, EVS7670, Combi, Proud, Flush inset, NA

7/8" – 22" mm – Glas, 15/16" – 23.3" mm – Edelstahl

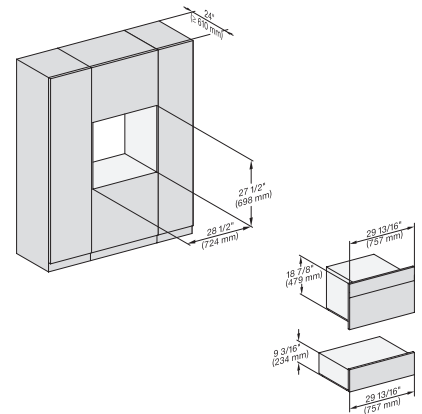


H6x80(2)BP, H6x70BM, ESW6x80, DGC7x7(X), H7x70BM(X), H7x80BP, ESW7x80, Combi, Installation drawing, Proud, Flush inset,

7/8" – 22" mm – Glas, 15/16" – 23.3" mm – Edelstahl



H 6x70 BM, H7x70BM(X), Fitting Combi, Installation drawing, Proud, NA



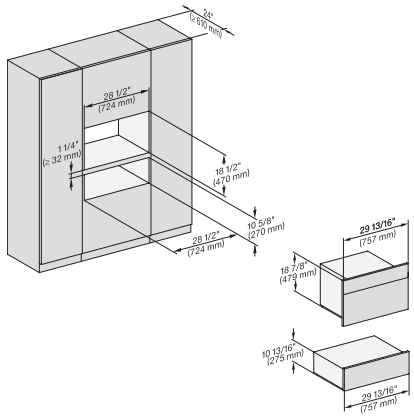
H6x70BM, ESW6x85, DGC7x7(X), H7x70BM(X), ESW7x70, Fitting Combi, Installation drawing, Proud, NA



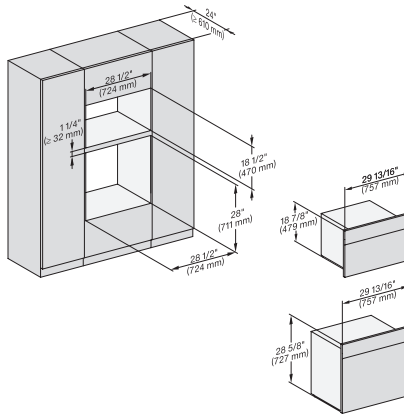
## H 7170 BM

30" compact speed oven

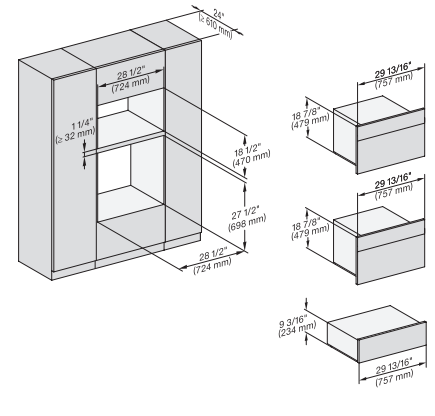
in a perfectly combinable design with automatic programs and combi modes.



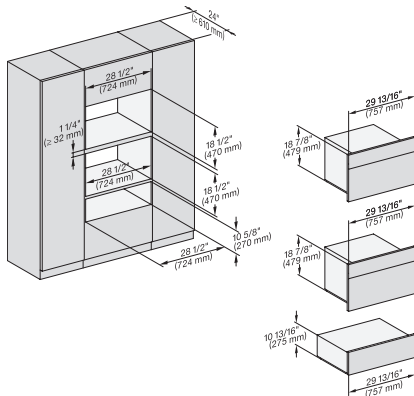
H 6x70 BM, ESW 6x80, DGC7x70X, H7x70BM, ESW7x80, Fitting Combi, Installation drawing, Proud, NA



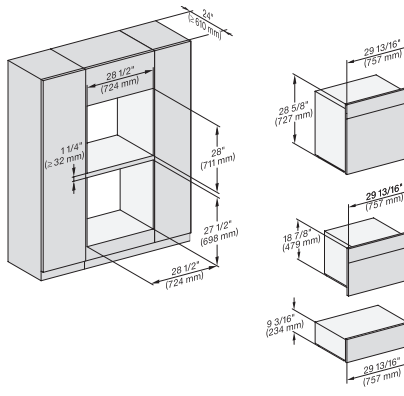
H6x80BP, H6x70BM, H6x80-2BP, DGC7x7x, H7x70BM, H2x80BP, H7x80BP(X), Fitting Combi, Installation drawing, Proud, NA



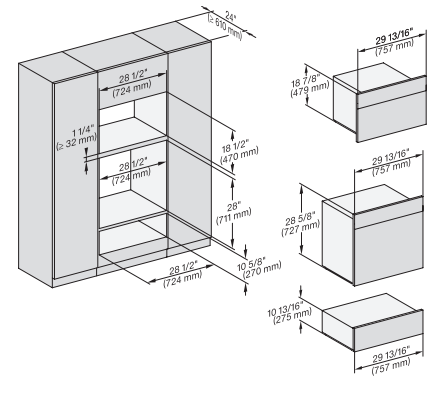
H6x70BM, ESW6x85, H7x70BM, ESW7x70, EVS670, Fitting Combi, Installation drawing, Proud, NA



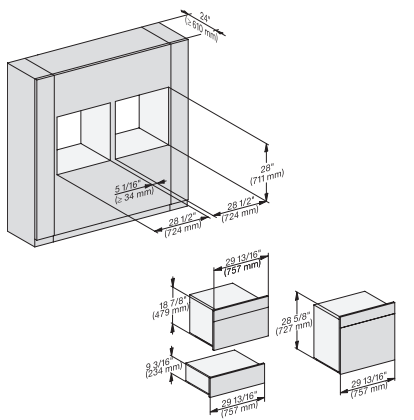
H 6x70 BM, ESW 6x80, H7x70BM, ESW7x80, Fitting Combi, Installation drawing, Proud, NA



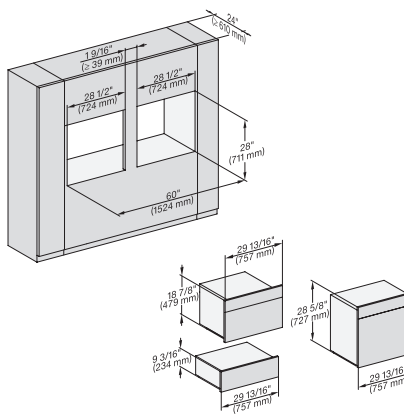
H6x80BP, H6x70BM, ESW 6x85, H 6x80-2BP, NA7000, Fitting Combi, Installation drawing, Proud, NA



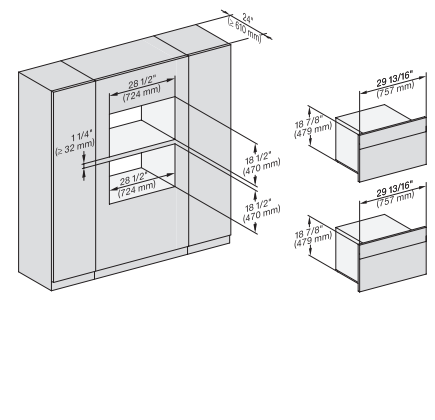
H 6x80 BP, H 6x70 BM, ESW 6x80, H 6x80-2BP, NA7000 Fitting Combi, Installation drawing, Proud, NA  
<https://miele-mms.de.miele.net/mms/admin/forward.php#>



H 6x80 BP, H 6x70 BM, ESW 6x85, H 6x80-2BP, NA7000, Fitting Combi side by side, Installation drawing, Proud, NA



H6x80BP, H6x70BM, ESW6x85, H6x80-2BP, NA7000, Fitting Combi side by side without wall, Installation drawing, Proud, NA



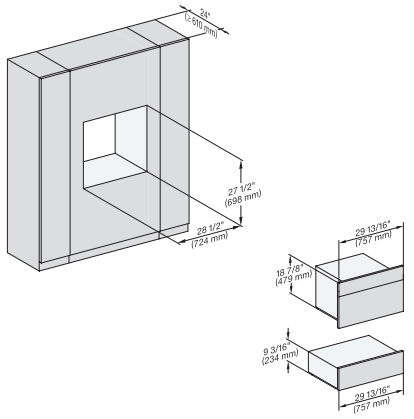
H 6x70 BM, H7x70BM(X) Fitting Combi wide front, Installation drawing, Proud, NA



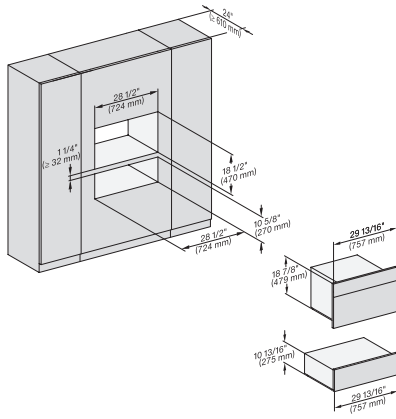
## H 7170 BM

30" compact speed oven

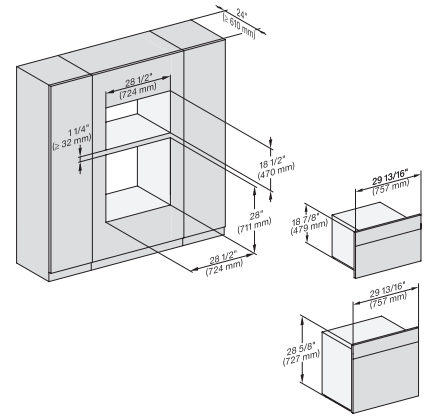
in a perfectly combinable design with automatic programs and combi modes.



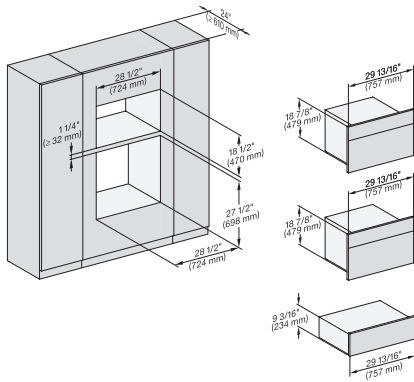
H6x70BM, ESW6x85, DGC7x7(X), H7x70BM(X), ESW7x70, EVS7670, , Fitting Combi wide front, Installation drawing, Proud, NA



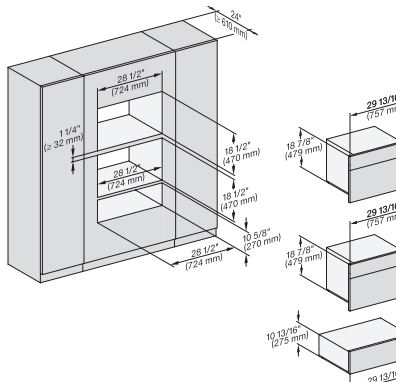
H6x70BM, ESW6x80, DGC7x7(X), H7x70BM(X), ESW7x80, Fitting Combi wide front, Installation drawing, Proud, NA



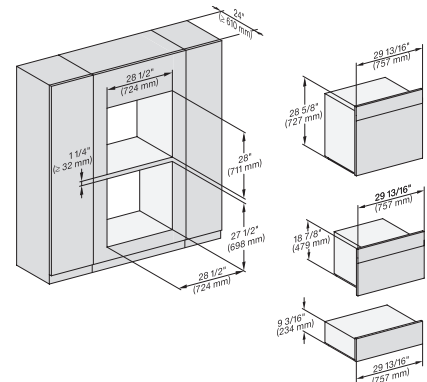
H6x80BP, H 6x70 BM, H 6x80-2BP, NA7000 Fitting Combi wide front, Installation drawing, Proud, NA



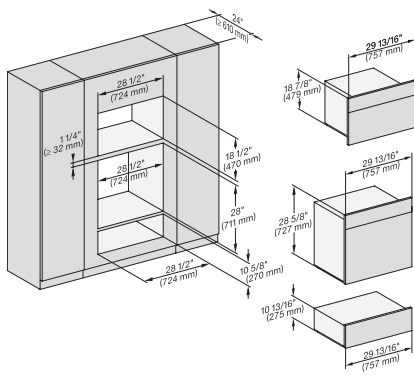
H 6x70 BM, ESW 6x85, NA7000, Fitting Combi wide front, Installation drawing, Proud, NA



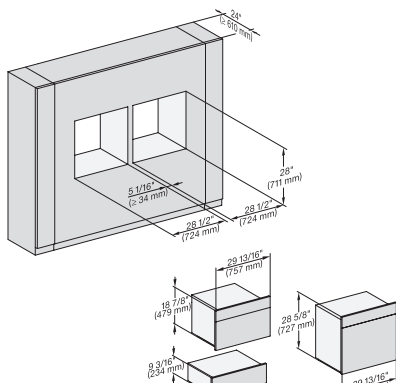
H 6x70 BM, ESW 6x80, H7x70BM(X), ESW7x80, Fitting Combi wide front, Installation drawing, Proud, NA



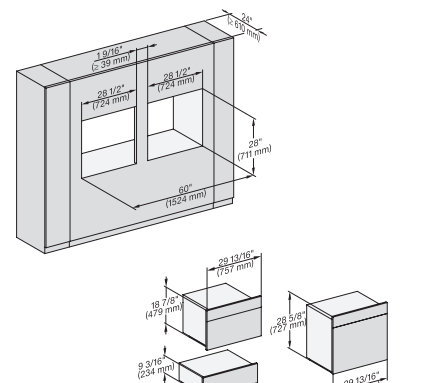
H 6x80 BP, H 6x70 BM, ESW 6x85, H 6x80-2BP, NA7000 Fitting Combi wide front, Installation drawing, Proud, NA



H 6x80 BP, H 6x70 BM, ESW 6x80, H 6x80-2BP, NA7000, Fitting Combi wide front, Installation drawing, Proud, NA



H 6x80 BP, H 6x70 BM, ESW 6x85, H 6x80-2BP, NA7000 Fitting Combi wide front side by side, Installation drawing, Proud

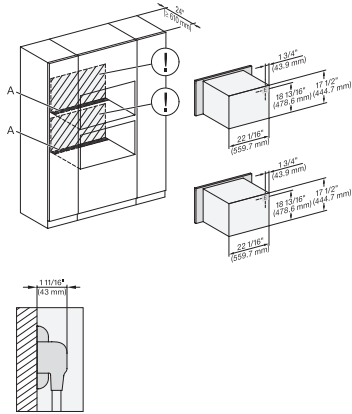


H 6x80 BP, H 6x70 BM, ESW 6x85, H 6x80-2BP, NA7000 Fitting Combi w. front side by side without wall, drawing, Proud, NA

## H 7170 BM

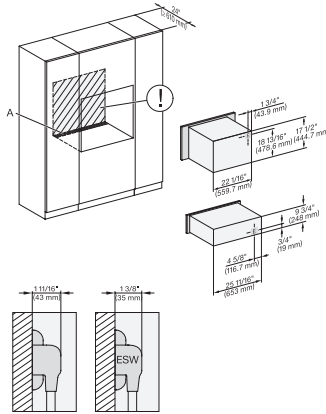
30" compact speed oven

in a perfectly combinable design with automatic programs and combi modes.



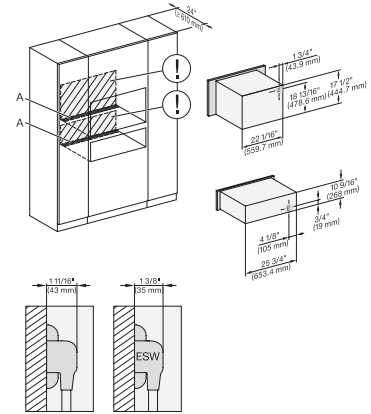
H 6x70 BM, H7x70BM(X), Installation Combi, Installation drawing, Proud, NA

A – Cut-out (4" x 28" / 100 mm x 720 mm) in the bottom of the cabinet for power cord and ventilation. – Electrical and water supplies are recommended to be placed in adjacent cabinetry. Additional cabinet depth is required when placing the electrical and water supplies behind the appliance. E = Electric connection



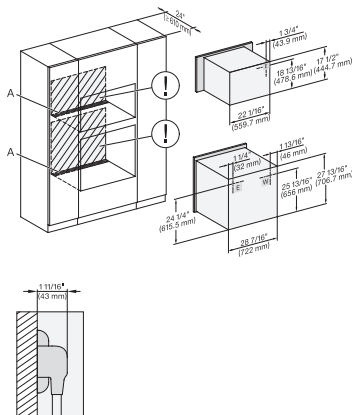
H 6x70 BM, ESW 6x85, H7x70BM(X), ESW7x70, EVS7670, Installation Combi, Installation drawing, Proud, NA

A – Cut-out (4" x 28" / 100 mm x 720 mm) in the bottom of the cabinet for power cord and ventilation. – Electrical and water supplies are recommended to be placed in adjacent cabinetry. Additional cabinet depth is required when placing the electrical and water supplies behind the appliance. E = Electric connection



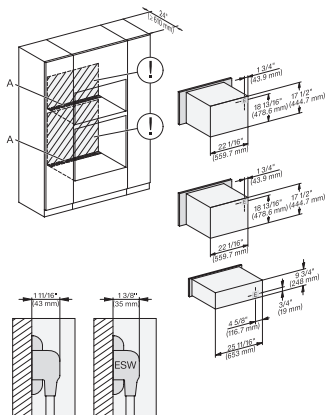
H 6x70 BM, ESW 6x80, H7x70BM(X), ESW7x80, Installation Combi, Installation drawing, Proud, NA

A – Cut-out (4" x 28" / 100 mm x 720 mm) in the bottom of the cabinet for power cord and ventilation. – Electrical and water supplies are recommended to be placed in adjacent cabinetry. Additional cabinet depth is required when placing the electrical and water supplies behind the appliance. E = Electric connection



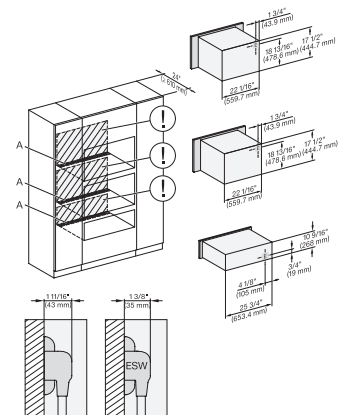
H 6x80 BP, H 6x70 BM, H 6x80-2BP, Hx70BM, H2x80BP(X), H7x80BP(X), Installation Combi, Installation drawing, Proud, NA

A – Cut-out (4" x 28" / 100 mm x 720 mm) in the bottom of the cabinet for power cord and ventilation. – Electrical and water supplies are recommended to be placed in adjacent cabinetry. Additional cabinet depth is required when placing the electrical and water supplies behind the appliance. E = Electric connection



H 6x70 BM, ESW 6x85, H7x70BM, ESW7x70, EVS7670, Installation Combi, Installation drawing, Proud, NA

A – Cut-out (4" x 28" / 100 mm x 720 mm) in the bottom of the cabinet for power cord and ventilation. – Electrical and water supplies are recommended to be placed in adjacent cabinetry. Additional cabinet depth is required when placing the electrical and water supplies behind the appliance. E = Electric connection



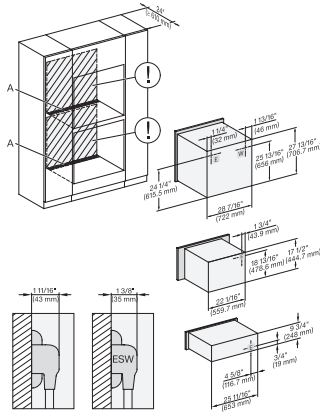
H 6x70 BM, ESW 6x80, H7x70BM, ESW7x80, Installation Combi, Installation drawing, Proud, NA

A – Cut-out (4" x 28" / 100 mm x 720 mm) in the bottom of the cabinet for power cord and ventilation. – Electrical and water supplies are recommended to be placed in adjacent cabinetry. Additional cabinet depth is required when placing the electrical and water supplies behind the appliance. E = Electric connection

## H 7170 BM

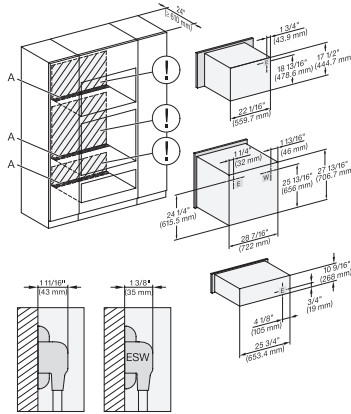
30" compact speed oven

in a perfectly combinable design with automatic programs and combi modes.



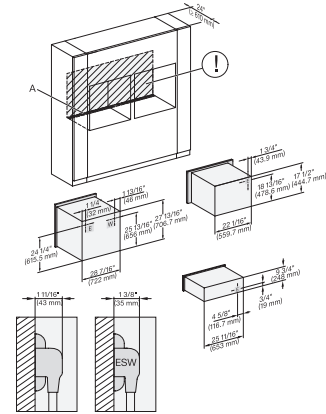
H 6x80 BP, H 6x70 BM, ESW 6x85, H 6x80-2BP, NA7000 Installation Combi, Installation drawing, Proud, NA

A – Cut-out (4" x 28" / 100 mm x 720 mm) in the bottom of the cabinet for power cord and ventilation. – Electrical and water supplies are recommended to be placed in adjacent cabinetry. Additional cabinet depth is required when placing the electrical and water supplies behind the appliance. E = Electric connection



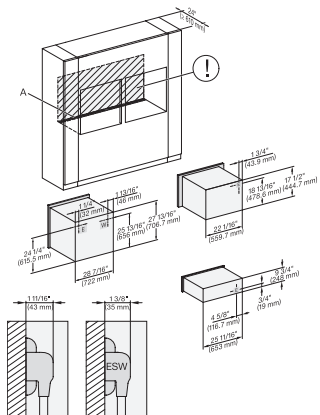
H 6x80 BP, H 6x70 BM, ESW 6x80, H 6x80-2BP, NA7000, Installation Combi, Installation drawing, Proud, NA

A – Cut-out (4" x 28" / 100 mm x 720 mm) in the bottom of the cabinet for power cord and ventilation. – Electrical and water supplies are recommended to be placed in adjacent cabinetry. Additional cabinet depth is required when placing the electrical and water supplies behind the appliance. E = Electric connection



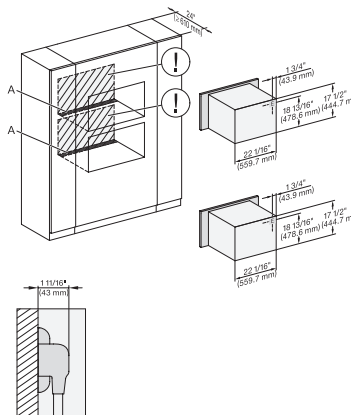
H6x80(-2)BP, H6x70BM, ESW6x85, H2x80BP, H7x80BP, ESW7x70, EVS7670, Installation Combi side by side, Installation drawing

A – Cut-out (4" x 28" / 100 mm x 720 mm) in the bottom of the cabinet for power cord and ventilation. – Electrical and water supplies are recommended to be placed in adjacent cabinetry. Additional cabinet depth is required when placing the electrical and water supplies behind the appliance. E = Electric connection



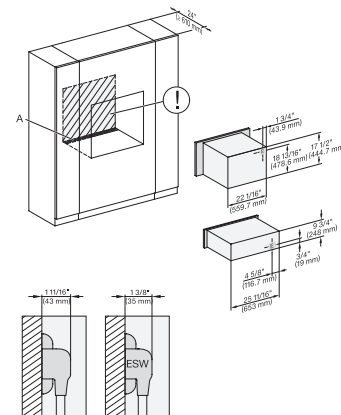
H 6x80 BP, H 6x70 BM, ESW 6x85, H 6x80-2BP, NA7000, Installation Combi side by side without wall, drawing, Proud, NA

A – Cut-out (4" x 28" / 100 mm x 720 mm) in the bottom of the cabinet for power cord and ventilation. – Electrical and water supplies are recommended to be placed in adjacent cabinetry. Additional cabinet depth is required when placing the electrical and water supplies behind the appliance. E = Electric connection



H 6x70 BM, H7x70BM(X), Installation Combi wide front, Installation drawing, Proud, NA

A – Cut-out (4" x 28" / 100 mm x 720 mm) in the bottom of the cabinet for power cord and ventilation. – Electrical and water supplies are recommended to be placed in adjacent cabinetry. Additional cabinet depth is required when placing the electrical and water supplies behind the appliance. E = Electric connection



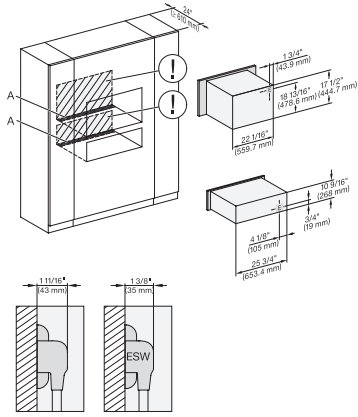
H 6x70 BM, ESW 6x85, H7x70BM(X), ESW7x70, EVS7670, Installation Combi wide front, Installation drawing, Proud, NA

A – Cut-out (4" x 28" / 100 mm x 720 mm) in the bottom of the cabinet for power cord and ventilation. – Electrical and water supplies are recommended to be placed in adjacent cabinetry. Additional cabinet depth is required when placing the electrical and water supplies behind the appliance. E = Electric connection

## H 7170 BM

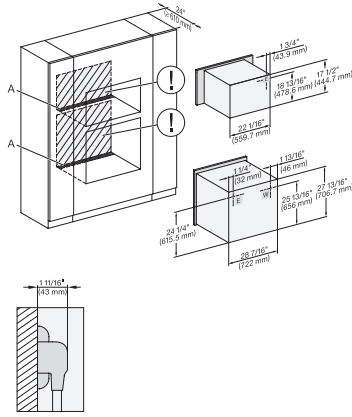
30" compact speed oven

in a perfectly combinable design with automatic programs and combi modes.



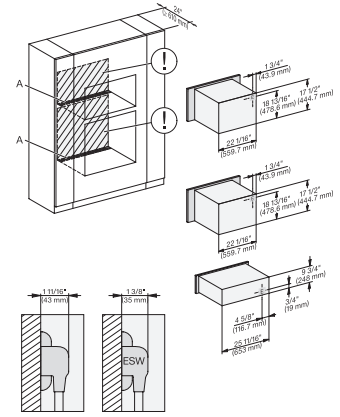
H 6x70 BM, ESW 6x80, H7x70BM, ESW7x80, Installation Combi wide front, Installation drawing, Proud, NA

A – Cut-out (4" x 28" / 100 mm x 720 mm) in the bottom of the cabinet for power cord and ventilation. – Electrical and water supplies are recommended to be placed in adjacent cabinetry. Additional cabinet depth is required when placing the electrical and water supplies behind the appliance. E = Electric connection



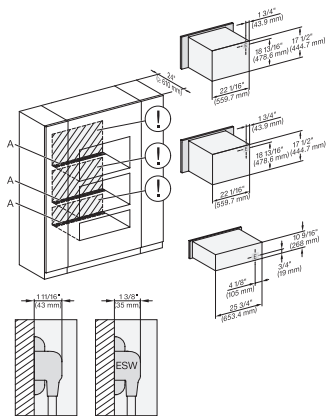
H 6x80 BP, H 6x70 BM, H 6x80-2BP, NA7000, Installation Combi wide front, Installation drawing, Proud, NA

A – Cut-out (4" x 28" / 100 mm x 720 mm) in the bottom of the cabinet for power cord and ventilation. – Electrical and water supplies are recommended to be placed in adjacent cabinetry. Additional cabinet depth is required when placing the electrical and water supplies behind the appliance. E = Electric connection



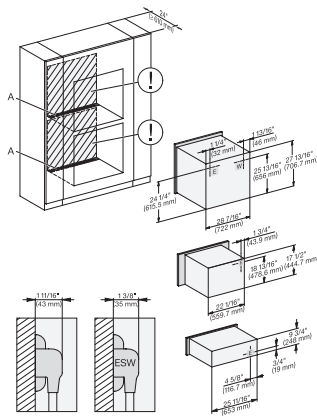
H 6x70 BM, ESW 6x85, H7x70BM, ESW7x70, EVS7670, Installation Combi wide front, Installation drawing, Proud, NA

A – Cut-out (4" x 28" / 100 mm x 720 mm) in the bottom of the cabinet for power cord and ventilation. – Electrical and water supplies are recommended to be placed in adjacent cabinetry. Additional cabinet depth is required when placing the electrical and water supplies behind the appliance. E = Electric connection



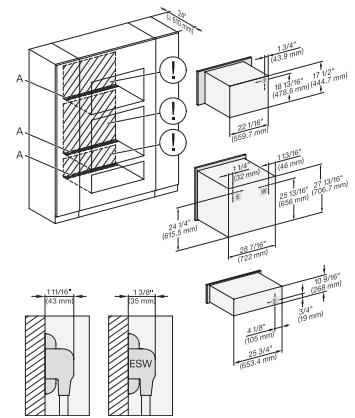
H 6x70 BM, ESW 6x80, H7x70BM, ESW7x80, Installation Combi wide front, Installation drawing, Proud, NA

A – Cut-out (4" x 28" / 100 mm x 720 mm) in the bottom of the cabinet for power cord and ventilation. – Electrical and water supplies are recommended to be placed in adjacent cabinetry. Additional cabinet depth is required when placing the electrical and water supplies behind the appliance. E = Electric connection



H 6x80 BP, H 6x70 BM, ESW 6x85, H 6x80-2BP, NA7000, Installation Combi wide front, Installation drawing, Proud, NA

A – Cut-out (4" x 28" / 100 mm x 720 mm) in the bottom of the cabinet for power cord and ventilation. – Electrical and water supplies are recommended to be placed in adjacent cabinetry. Additional cabinet depth is required when placing the electrical and water supplies behind the appliance. E = Electric connection



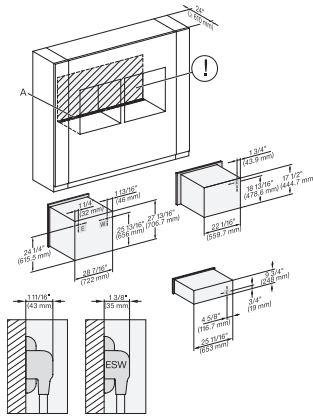
H 6x80 BP, H 6x70 BM, ESW 6x80, H 6x80-2BP, NA7000, Installation Combi wide front, Installation drawing, Proud, NA

A – Cut-out (4" x 28" / 100 mm x 720 mm) in the bottom of the cabinet for power cord and ventilation. – Electrical and water supplies are recommended to be placed in adjacent cabinetry. Additional cabinet depth is required when placing the electrical and water supplies behind the appliance. E = Electric connection

## H 7170 BM

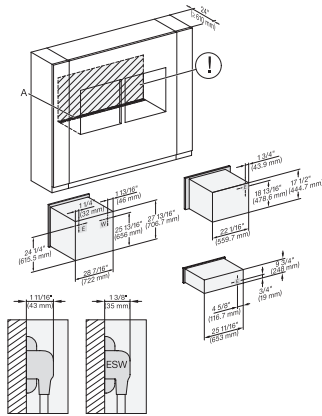
30" compact speed oven

in a perfectly combinable design with automatic programs and combi modes.



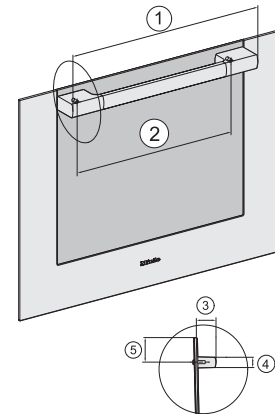
H6x80(2)BP, H6x70BM, ESW6x85, H2x80BP, H7x80BP, Installation Combi wide front side by side, Installation drawing, Proud

A – Cut-out (4" x 28" / 100 mm x 720 mm) in the bottom of the cabinet for power cord and ventilation, – Electrical and water supplies are recommended to be placed in adjacent cabinetry., Additional cabinet depth is required when placing the electrical and water supplies behind the appliance., E = Electric connection



H6x80 BP, H6x70BM, ESW6x85, H6x80-2BP, NA7000, Installation Combi w. front side by side without wall, drawing, Proud, NA

A – Cut-out (4" x 28" / 100 mm x 720 mm) in the bottom of the cabinet for power cord and ventilation, – Electrical and water supplies are recommended to be placed in adjacent cabinetry., Additional cabinet depth is required when placing the electrical and water supplies behind the appliance., E = Electric connection



Handle 30" DGC73xx, DGC75xx, DGC77xx, H71xx, H75xx, H77xx, ContourLine – NA7000 - Installation drawing

21 1/8" / 536 mm, 17 1/2" / 444 mm, 2 1/2" / 64 mm, 1 3/8" / 35 mm, 1 7/16" / 37 mm