

HR 1956-3 G DF GD

48 inch range

– the Dual Fuel all-rounder with M Touch for the highest demands.



- Network-enabled WiFi appliance – Miele@home
- Maximum variety – six powerful burners and a griddle
- Speed oven for a maximum variety of uses
- Perfect baking and roasting results – Moisture plus
- Precise cooking temperature – Wireless Precision Probe

EAN: 4002516486671 / Material number: 11791700 / Old Material Number: 25195681USA

| | |
|--|-------------------|
| Heating type | |
| Dual fuel | • |
| Gas type | Natural gas |
| Design | |
| Range including speed oven and gourmet drawer | • |
| Appliance width in inches | 48 |
| Operating modes | |
| Speed Oven MasterChef automatic programs | • |
| Maxi Broil | • |
| Defrost | • |
| Convection Bake | • |
| Convection Roast | • |
| Auto roast | • |
| Combi Auto Roast | • |
| Broil | • |
| Intensive Bake | • |
| Moisture Plus | • |
| Slow roast | • |
| Microwave | • |
| Micro Broil | • |
| Combi Bake | • |
| Combi Broil | • |
| Surround | • |
| Browning | • |
| Bake | • |
| Convection Roast | • |
| Special modes | • |
| Design | |
| Appliance color | Clean Touch Steel |
| Oven display | M Touch |
| Speed Oven display | M Touch / M Touch |
| Convenience features | |
| Precise speed oven temperature regulation in °F (°C) | 85-475 (30-250) |
| Microwave power levels | 1 - 7 |
| Wireless Precision Probe | • |
| Roast probe- speed oven | • |
| Keep-warm function | • |
| Crisp function | • |
| Convenience features and modes | |
| Warm cups | • |
| Warm plates | • |
| Keep food at serving temperature | • |
| Low-temperature cooking | • |
| Precise electronic temperature control from 104°F to 185°F | • |
| Cooktop features | |
| Number of gas burners | 6 |
| Number of TrueSimmer burners x power in BTU | 2 x 10.00 |
| Number of power burners x power in BTU | 1 x 13.60 |
| Number of high burners x power in BTU | 3 x 19.50 |
| True Simmer function | • |

HR 1956-3 G DF GD

48 inch range

– the Dual Fuel all-rounder with M Touch for the highest demands.



EAN: 4002516486671 / Material number: 11791700 / Old Material Number: 25195681USA

| | |
|--|-------------------------------------|
| GasStop | • |
| Number of griddle surfaces | 1 x 13.00 |
| Width of griddle surface in in.(mm) | 10 1/4 (258) in (mm) |
| Depth of griddle surface in in.(mm) | 17 1/8 (434) in (mm) |
| User convenience | |
| Networking with Miele@home | • |
| Precision knobs | • |
| Illuminated knob | • |
| ComfortSwivel handle | • |
| Motorized lift-up control panel | • |
| Time synchronization | • |
| Sabbath program | • |
| Automatic switch-off | • |
| MultiLingua | • |
| Acoustic signal when desired temperature is reached | • |
| MyMiele | • |
| Warming drawer capacity | 6 place settings |
| Microwave popcorn function | • |
| Recommended microwave output for each mode | • |
| Timed bursts of steam | • |
| Fully telescopic for easy loading and unloading of the gourmet drawer | • |
| Gourmet drawer with push-to-open mechanism | • |
| Time of day display | • |
| Date display | • |
| Minute minder | • |
| Programmable cooking time | • |
| Actual temperature display | • |
| Default temperature | • |
| Minute Plus button | • |
| Favorites | • |
| Individual settings | • |
| Appliance door | |
| CleanGlass door | • |
| Door contact switch | • |
| SoftClose oven door/ SoftOpen | • |
| Oven compartment | |
| Oven cavity volume in cu. ft. (l) | 3.21 (91) ft ³ (l) |
| Speed oven cavity volume in cu.ft. (l) | 1.52 (43) |
| Number of oven shelf levels | 5 |
| Number of Speed Oven shelf levels | 3 |
| No. of halogen lamps | triple in oven/single in speed oven |
| Efficiency and sustainability | |
| Automatic residual heat utilization | • |
| Energy-saving lighting circuit | • |
| Rapid PreHeat | • |
| Cleaning convenience | |
| Stainless-steel front with partial Clean Touch Steel finish | • |
| Stainless-steel Speed Oven interior with PerfectClean and linen-weave finish | • |

HR 1956-3 G DF GD

48 inch range

– the Dual Fuel all-rounder with M Touch for the highest demands.



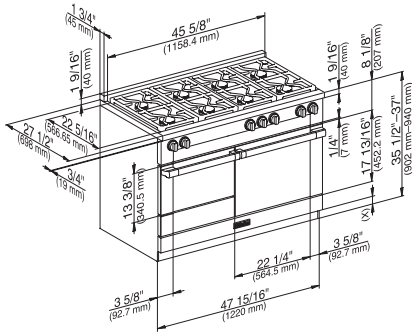
EAN: 4002516486671 / Material number: 11791700 / Old Material Number: 25195681USA

| | |
|---|---------------|
| Oven with self-cleaning program | • |
| AirClean catalyzer | • |
| Catalyzer | heated |
| ComfortClean dishwasher-safe grates | • |
| Cooktop surface | Black enamel |
| Safety | |
| Appliance cooling system and cool touch front | • |
| Safety cut-out | • |
| Anti-slip liner in the gourmet drawer | • |
| System lock | • |
| Door contact switch | • |
| Door lock during self cleaning | • |
| Technical data | |
| Appliance height min in in.(mm) | 37 1/8 (942) |
| Dimensions (depth) in in. (mm) with bullnose | 27 3/4 (702) |
| Appliance height max in in.(mm) | 38 5/8 (980) |
| Fresh water connection for Moisture Plus | • |
| Plumbed water connection for Moisture Plus | 3.0 |
| Appliance width in in. (mm) | 48 1/8 (1220) |
| Power Rating in V | 120 |
| Voltage in V | 240/208 |
| Fuse rating in A | 50 |
| Number of phases | 1 |
| Standard accessories | |
| Anti-splash insert | 1 |
| Baking and roasting rack with PerfectClean | 1 |
| Self Clean ready baking and roasting rack | 3 |
| FlexiClip runners Self Clean ready | 2 |
| Side racks self clean ready | 1 |
| PerfectClean perforated baking tray | 1 |
| Glass tray | 2 |

HR 1956-3 G DF GD

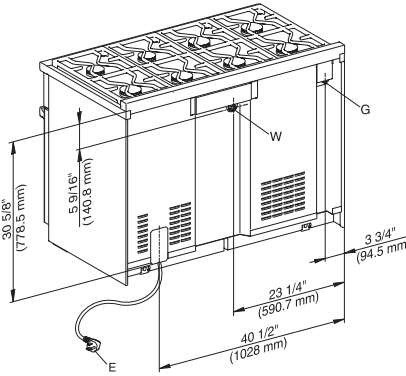
48 inch range

– the Dual Fuel all-rounder with M Touch for the highest demands.



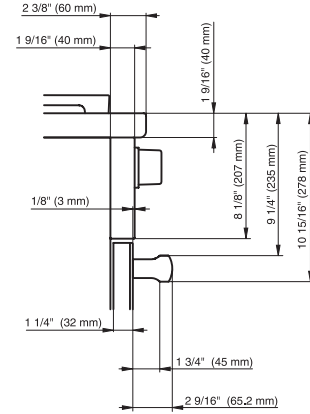
HR1954G, HR1954-2 (installation drawing)

(x) = Depending on the appliance height adjustment: 4" – 5 1/2" (101.6 mm – 139.7 mm)



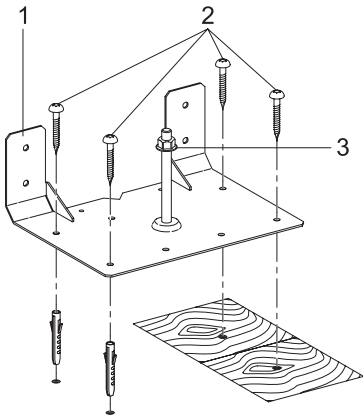
HR1954G, HR1954-2, HR1954-3 (installation drawing)

E = Electric Connection, W = Water connection, G = Gas connection



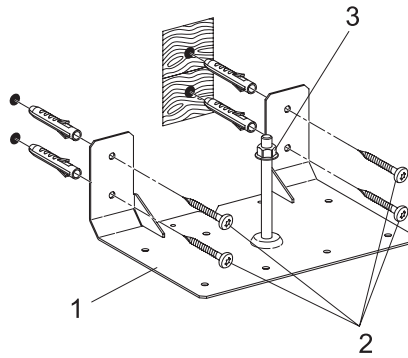
HR19x4, HR193x, HR195x (installation drawing)

(x) = Toe-kick height adjustment 5" – 6 1/2" (127 mm – 165.1 mm)



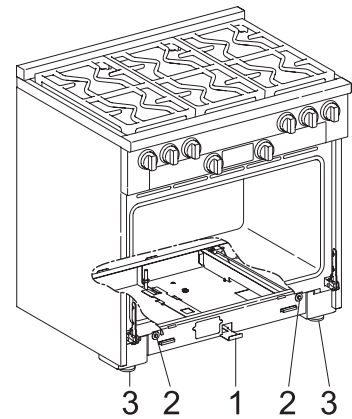
HR11xx, HR19xx, HR17xx – Installation drawing

1 Anti-tip device , 2 Screws, 3 Locking nut



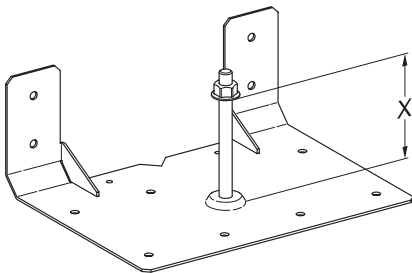
HR11xx, HR19xx – Installation drawing

1 Anti-tip device , 2 Screws, 3 Locking nut



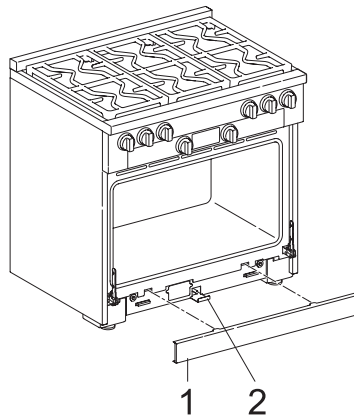
HR11xx, HR19xx, HR17xx – Installation drawing

1 Anti-tip device , 2 Screws, 3 Locking nut



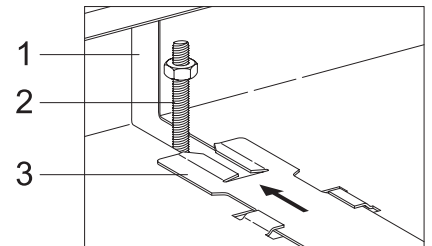
HR11xx, HR19xx, HR17xx – Installation drawing

X 3 13/16" (97 mm): HR1124, HR1134, HR1135, HR1136, HR1724, HR1924, HR1934, HR1935, HR1936, HR1954, HR1955, HR1956, , X 3 1/4" (82 mm): HR1134-2, HR1134-3, HR1135-2, HR1135-3, HR1136-2, HR1136-3, HR1924-2, HR1924-3, HR1934-2, HR1934-3, HR1935-2, HR1935-3, HR1936-2, HR1936-3, HR1954-2, HR1954-3, HR1955-2, HR1955-3, HR1956-2, HR1956-3



HR11xx, HR19xx, HR17xx – Installation drawing

1 Toe kick cover , 2 Locking clamp



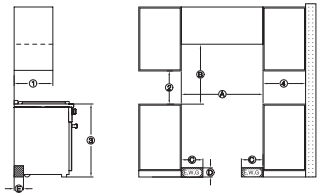
HR11xx, HR19xx, HR17xx – Installation drawing

1 Opening in the range housing , 2 Bolt of the anti-tip device , 3 Locking clamp with slot

HR 1956-3 G DF GD

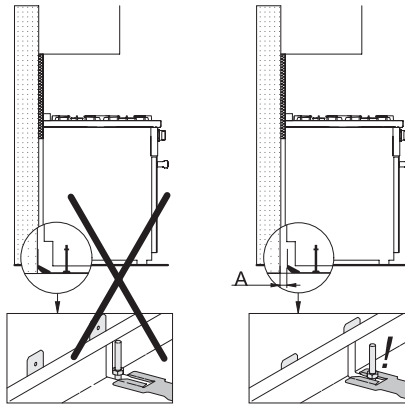
48 inch range

– the Dual Fuel all-rounder with M Touch for the highest demands.



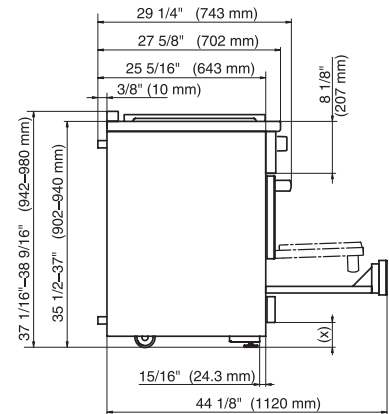
HR19xx – Installation drawing

Maximum depth of top cabinet , Minimum distance to bottom edge of top cabinet , Distance from the floor to cooktop surface , Minimum distance to combustible surfaces , , E = Electric connection, W = Water connection, G = Gas connection , , (A) Width of cabinet opening, (B) Minimum distance between the top of the cooking area and the bottom of an unprotected combustible surface. Minimum distance to a protected combustible surface or when a Miele Ventilation Hood is installed. For all other Hoods please consult the manufacturer's specifications for required distances., (C) Maximum connection width right and left , (D) Maximum connection height , (E) Maximum connection depth



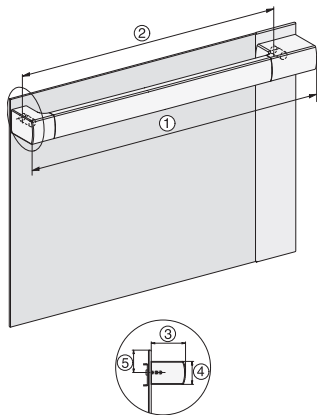
HR11xx, HR19xx, HR17xx – Installation drawing

A = Distance between the rear of the range to the supporting wall



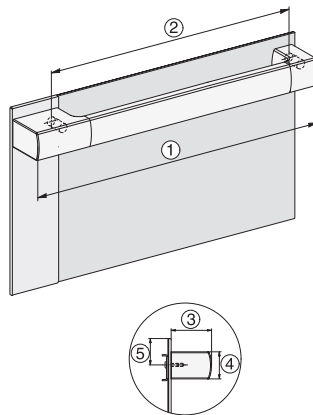
HR1954-3, HR1955-3, HR1956-3, Side view, ("Fußnote") installation drawing

(x) = Depending on the appliance height adjustment: 4" – 5 1/2" (101.6 mm – 139.7 mm)



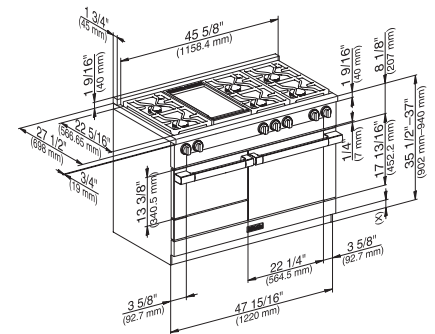
HR1954-3, HR1955-3, HR1956-3 installation drawings

48", 221/16" / 560,55 mm, 18" / 456,55 mm, 2 1/2" / 64 mm, 1 11/16" / 43 mm, 1 1/2" / 38,5 mm



HR1954-3, HR1955-3, HR1956-3, installation drawings

48", 18 1/16" / 458,25 mm, 13 15/16" / 354,25 mm, 2 1/2" / 64 mm, 1 11/16" / 43 mm, 1 1/2" / 38,5 mm



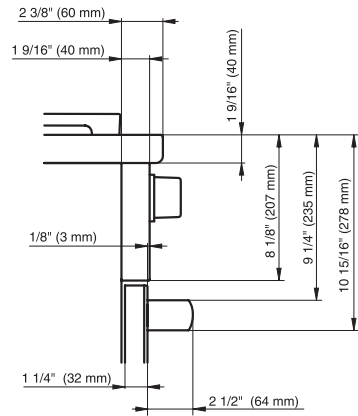
HR1956-3 (installation drawing)

(x) = Toe-kick height adjustment 4" – 5 1/2" (101.6 mm – 139.7 mm)

HR 1956-3 G DF GD

48 inch range

– the Dual Fuel all-rounder with M Touch for the highest demands.



HR1924-3, HR1934-3, HR1935-3, HR1936-3, HR1954-3,
HR1955-3, HR1956-3 (installation drawing)