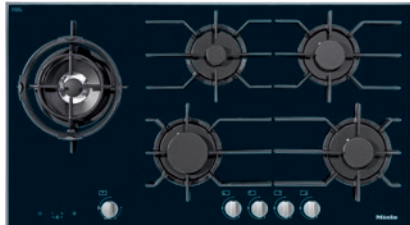


KM3054-1 G USA EDST 120/60

Gas cooktop

with electronic functions for maximum safety and user convenience.



- Optimal – single-handed operation via rotary dials and QuickStart
- Elegant design – 37 1/8 (942) in (mm) wide gas on glass cooktop
- Particularly versatile – 5 burners incl. 1 dual wok
- Extremely safe – GasStop&Restart function
- Easy cleaning – ComfortClean dishwasher-safe grates

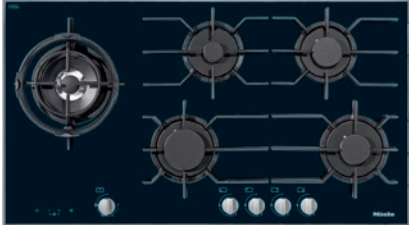
EAN: 4002516451501 / Material number: 11766750 /
Old Material Number: 26305452USA

Heating type	
Fuel type	Gas
Design	
Independent of oven	•
Design	
Elegant glass ceramic surface	•
Cast iron pot rests (matte black enameled)	•
Cooking zone details	
No. of rings	5
Gas burner power rating	
Small burner in kW	1.10
Small burner in BTU/h	3750
Normal burner in kW	1.70
Normal burner in BTU/h	5800
Large burner in kW	2.73
Large burner in BTU/h	9300
Dual wok burner in kW	4.84
Dual wok burner in BTU/h	16500
1st cooking zone/cooking area	
Position	left center
Type	Dual wok burner
2nd cooking zone/cooking area	
Position	rear center
Type	Economy burner
3rd cooking zone/cooking area	
Position	rear right
Type	Standard burner
4th cooking zone/cooking area	
Position	front right
Type	Standard burner
5th cooking zone/cooking area	
Position	front center
Type	High-speed burner
User convenience	
Operation via knobs	•
Electronic ignition with one-handed operation	•
QuickStart	•
Cleaning convenience	
Easy to clean ceramic glass	•
Dishwasher-save trivets	•
Safety	
Heat indicator	•
Operational indicator	•
GasStop & ReStart	•
Technical data	
Dimensions (H x W x D) in inches (mm)	
Dimensions (width) in in. (mm)	37 1/8 (942)
Dimensions (height) in in. (mm)	2 1/8 (53)

KM3054-1 G USA EDST 120/60

Gas cooktop

with electronic functions for maximum safety and user convenience.



EAN: 4002516451501 / Material number: 11766750 /

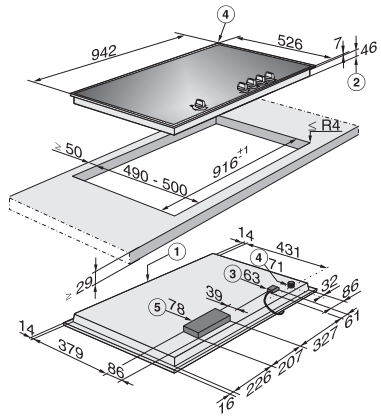
Old Material Number: 26305452USA

Dimensions in mm (depth)	20 3/4 (526)
Cutout dimensions (width) in in. (mm)	916
Cutout dimensions (depth) in in. (mm)	500
Casing height incl. connection box in mm	3 1/8 (78)
Weight in lbs. (kg)	48 (22)
Total connected load in kW	12.10
Power cord length in in. (m)	3 (1.2)
Position of gas connection	Hinten rechts
Voltage in V	120
Frequency in Hz	60
Standard accessories	
Power cord	Yes
Wok ring	•
Small trivet	•

KM3054-1 G USA EDST 120/60

Gas cooktop

with electronic functions for maximum safety and user convenience.



KM 3054-1 G (installation drawing)

1. Front, 2. Casing depth, 3. Mains connection box with mains connection cable L = 2000 mm, 4. Gas connection R 1/2" – ISO 7-1 (DIN EN 10226)