

F 2462 Vi

MasterCool™ freezer

Integrated IceMaker features separate water and ice dispensers.



- Push2open for convenient door-opening assistance
- Light floods the interior thanks to LED elements – BrilliantLight
- Ice and cooled-water dispensers for maximum convenience
- Convenient control thanks to color touch display MasterSensor

EAN: 4002516323044 / Material number: 11503420 / Old Material Number: 37246201USA

Appliance category	
Freezer	•
Construction type	
Built-in	•
Built-in integrated	•
Door hinge side	right
Can be installed side-by-side	•
Design	
Lighting	BrilliantLight
Control panel	
Ice/water dispenser	•
Networking with Miele@home	•
NoFrost	•
SoftClose door closing damper	•
Push2open	•
FullAccess	•
EasyClean	•
MaxLoad hinge	•
Control	
Electronic temperature display and control	MasterSensor
Independent temperature control of fridge and freezer compartments	No
SuperFrost	•
No. of temperature zones	1
Sabbath mode	•
Eco mode	•
Fridge / Fridge compartment	
Door baskets – small	1
Door baskets – large	3
Freezer/Freezer compartment	
Number of shelves	2
Number of freezer baskets	2
Efficiency and sustainability	
Energy Star Qualified	•
Safety	
Lock function	•
Acoustic door alarm	•
Acoustic temperature alarm, freezer section	•
Optical door alarm	•
Optical temperature alarm	•
Technical data	
Niche width in inches (mm), min.	18 (457)
Niche width in inches (mm), max.	18 (457)
Niche height in inches (mm), min.	84 1/8 (2134)
Niche height in inches (mm), max.	84 1/8 (2134)
Niche depth in in.(mm)	24 7/8 (629)
Appliance width in in.(mm)	17 7/8 (451)
Appliance height in in.(mm)	83 3/4 (2125)
Appliance depth in in.(mm)	24 (608)
Weight in lbs.(kg)	288 (130.6)

F 2462 Vi MasterCool™ freezer

Integrated IceMaker features separate water and ice dispensers.



EAN: 4002516323044 / Material number: 11503420 / Old Material Number: 37246201USA

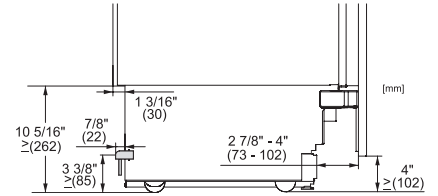
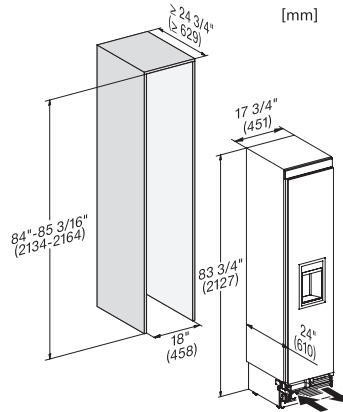
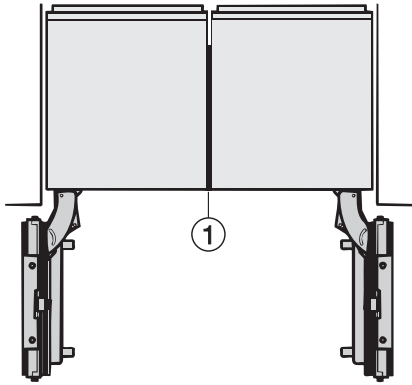
Type of mounting	Fixed door
Maximum fridge compartment door front weight in lbs. (kg)	157 (71)
Current consumption in milliampere (mA)	4000
Voltage in V	110-120
Fuse rating in A	10
Number of phases	1
Frequency in Hz	60
Wire length in ft (m)	9 (3.0)
Replacing bulbs	Customer Service

Available display languages

Available display languages via MultiLingua

bahasa malaysia, dansk, deutsch, eesti, english, english (AU), english (CA), english (GB), english (US), español, français, français (CA), français (FR), hrvatski, italiano, latviesu, lietuviu, magyar, nederlands, norsk, polski, português, русский, română, slovenčina, slovenščina, srpski, suomi, svenska, türkçe, українська, čeština, ελληνικά,

F 2462 Vi
MasterCool™ freezer
Integrated IceMaker features separate water and ice dispensers.

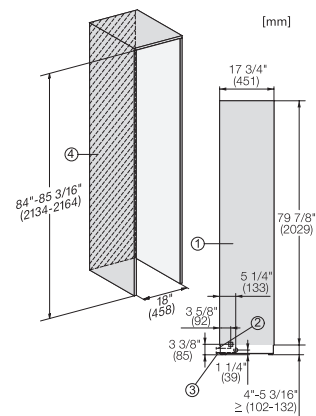
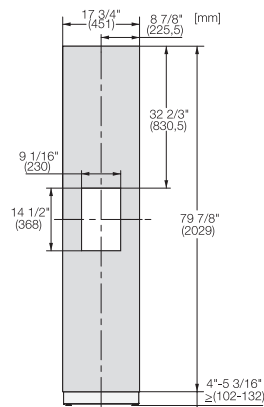
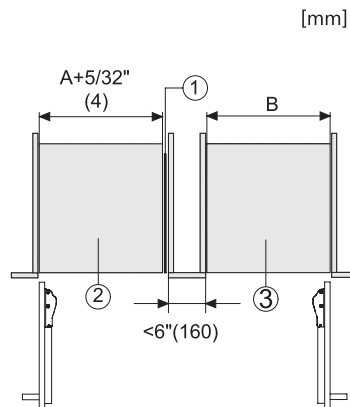


Side-by-side, MasterCool, without partition wall, with heating mat (Sketch) (with footnote)

F2462Vi, F2472Vi, F2461Vi, F2471Vi, MasterCool, installation, installation drawings (US, CA)

Sideview, MasterCool, Sketch

1) Heating mat KSK 2001 (EU, AUS, CN) or KSK 2002 (US, CA, MX, BR)



Side-by-Side, MasterCool, footnote, installation drawings

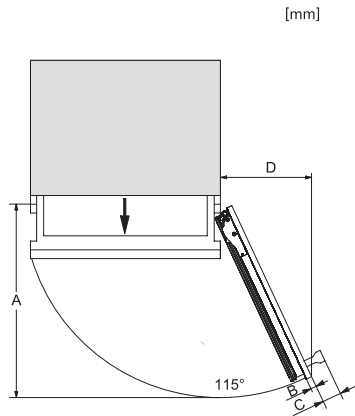
KFP1845ed/cs, KFP1844ed/cs, MasterCool, Front panel, Front dimensions, sketch (US, CA)

F2413Vi, F2471Vi, F2471SF, F2461Vi, F2411Vi, F2411SF, installation, MasterCool, installation drawings

1. KSK 2001/2002, 2. Device A, 3. Device B, A = niche device A, B = niche device B

1. View from the front, 2. Mains Connection cable, L = 3000 mm (118 inch), 3. Water inlet position, L = 2000 mm (not for KON USA), 4. No water/ELT connections permitted in this area

F 2462 Vi
 MasterCool™ freezer
 Integrated IceMaker features separate water and ice dispensers.



Opening angle 90°/115°, right side stop, MasterCool
 (Sketch) *footnote

A) Appliance door width, F 2462 Vi: 525 mm (20 2/3 inch); F 2662 Vi: 677 mm (26 2/3 inch); F 2802 Vi: 829 mm (32 2/3 inch); F 2902 Vi: 982 mm (38 2/3 inch); B) Furniture front (max. 38 mm) (1 1/2 inch), C) Door handle, D) Distance door to wall (without furniture front and door handle): F 2462 Vi: 237 mm (9 1/3 inch); F 2662 Vi: 296 mm (11 2/3 inch); F 2802 Vi: 363 mm (14 1/3 inch), F 2902 Vi: 428 mm (16 7/8 inch), E) ONLY valid for SF versions: A + 25 mm (1 inch)