

F 2802 Vi MasterCool™ freezer

For high-end design and technology on a large scale.



- Push2open for convenient door-opening assistance
- Light floods the interior thanks to LED elements – BrilliantLight
- Fresh ice cubes from the IceMaker with plumbed water connection
- Convenient control thanks to color touch display MasterSensor

EAN: 4002516321880 / Material number: 11503330 / Old Material Number: 37280201USA

Appliance category	
Freezer	•
Design	
Built-in	•
Built-in integrated	•
Door hinge side	right
Convertible hinging	•
Can be installed side-by-side	•
Design	
Lighting	BrilliantLight
User convenience	
Networking with Miele@home	•
NoFrost	•
SoftClose door closing damper	•
IceMaker with mains water connection	•
Push2open	•
FullAccess	•
EasyClean	•
MaxLoad hinge	•
Control	
Electronic temperature display and control	MasterSensor
Independent temperature control of fridge and freezer compartments	No
SuperFrost	•
No. of temperature zones	1
Sabbath mode	•
Eco mode	•
Fridge/fridge zone	
Door baskets – small	1
Door baskets – large	3
Freezer/freezer zone	
Number of shelves	2
Number of freezer baskets	2
Efficiency and sustainability	
Energy Star Qualified	•
Safety	
Lock function	•
Acoustic door alarm	•
Acoustic temperature alarm, freezer section	•
Optical door alarm	•
Optical temperature alarm	•
Technical data	
Niche width in inches (mm), min.	30 (762)
Niche width in inches (mm), max.	30 (762)
Niche height in inches (mm), min.	84 1/8 (2134)
Niche height in inches (mm), max.	84 1/8 (2134)
Niche depth in in.(mm)	24 7/8 (629)
Appliance width in in.(mm)	29 7/8 (756)
Appliance height in in.(mm)	83 3/4 (2125)
Appliance depth in in.(mm)	24 (608)

F 2802 Vi
 MasterCool™ freezer
 For high-end design and technology on a large scale.



EAN: 4002516321880 / Material number: 11503330 / Old Material Number: 37280201USA

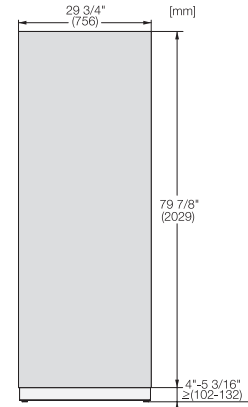
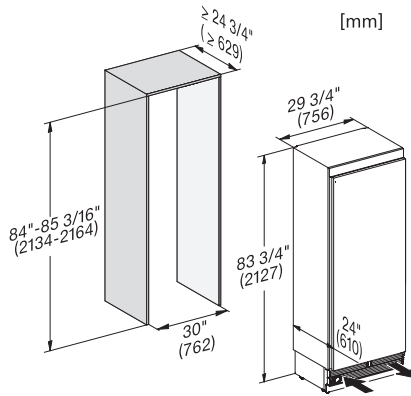
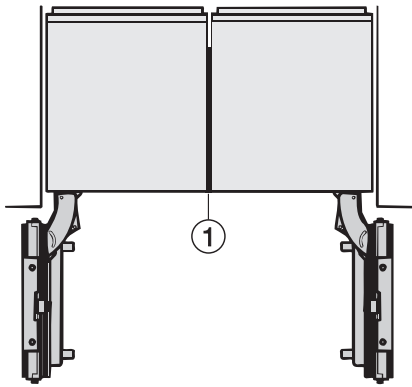
Weight in lbs.(kg)	341 (154.4)
Type of mounting	Fixed door
Maximum fridge compartment door front weight in lbs. (kg)	62 (28)
Current consumption in milliampere (mA)	4000
Voltage in V	110-120
Fuse rating in A	10
Number of phases	1
Frequency in Hz	60
Wire length in ft (m)	9 (3.0)
Replacing bulbs	Customer Service

Available display languages

Available display languages via MultiLingua

bahasa malaysia, dansk, deutsch, eesti, english, english (AU), english (CA), english (GB), english (US), español, français, français (CA), français (FR), hrvatski, italiano, latviesu, lietuviu, magyar, nederlands, norsk, polski, portuguis, русский, română, slovenčina, slovenščina, srpski, suomi, svenska, türkçe, українська, čeština, ελληνικά,

F 2802 Vi
MasterCool™ freezer
For high-end design and technology on a large scale.

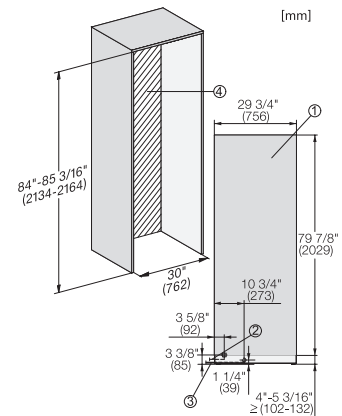
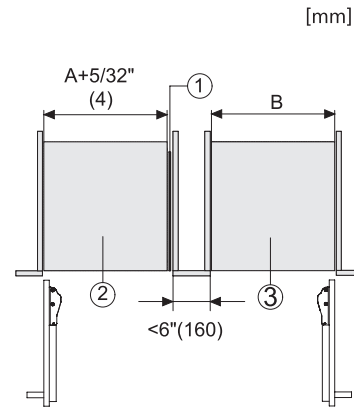
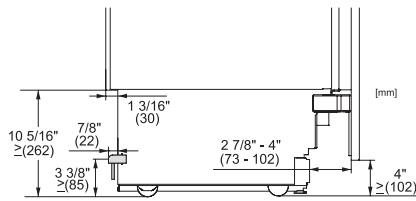


Side-by-side, MasterCool, without partition wall, with heating mat (Sketch) (with footnote)

F2812Vi, F2813Vi, F2802Vi, F2811Vi, F2801Vi, MasterCool, inner space, installation drawings

KFP3005ed/cs, KFP3004ed/cs, Front panel, Front dimensions, MasterCool II, installation drawings

1) Heating mat KSK 2001 (EU, AUS, CN) or KSK 2002 (US, CA, MX, BR)



Sideview, MasterCool, Sketch

Side-by-Side, MasterCool, footnote, installation drawings

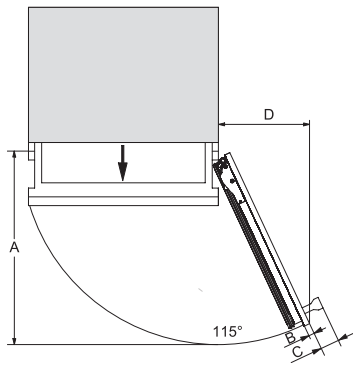
F2802Vi, F2812Vi, F2813Vi, F2812SF, F2801Vi, F2811Vi, F2811SF, installation, MasterCool, installation drawings

1. KSK 2001/2002, 2. Device A, 3. Device B, A = niche device A, B = niche device B

1. View from the front, 2. Mains Connection cable, L = 3000 mm (118 inch), 3. Water inlet position, L = 2000 mm (not for KON USA), 4. No water/ELT connections permitted in this area

F 2802 Vi
 MasterCool™ freezer
 For high-end design and technology on a large scale.

[mm]



Opening angle 90°/115°, right side stop, MasterCool
 (Sketch) *footnote

A) Appliance door width, F 2462 Vi: 525 mm (20 2/3 inch); F 2662 Vi: 677 mm (26 2/3 inch); F 2802 Vi: 829 mm (32 2/3 inch); F 2902 Vi: 982 mm (38 2/3 inch); B) Furniture front (max. 38 mm) (1 1/2 inch), C) Door handle, D) Distance door to wall (without furniture front and door handle): F 2462 Vi: 237 mm (9 1/3 inch); F 2662 Vi: 296 mm (11 2/3 inch); F 2802 Vi: 363 mm (14 1/3 inch); F 2902 Vi: 428 mm (16 7/8 inch), E) ONLY valid for SF versions: A + 25 mm (1 inch)