

KF 2812 SF

MasterCool™ fridge-freezer

For high-end design and technology on a large scale.



- Push2open for convenient door-opening assistance
- Food stays fresh for up to 3 x longer thanks to SmartFresh
- Light floods the interior thanks to LED elements – BrilliantLight
- Convenient control thanks to color touch display MasterSensor

EAN: 4002516321675 / Material number: 11502910 / Old Material Number: 38281211USA

Appliance category	
Fridge-freezer	•
Design	
Built-in	•
Built-in integrated	•
Door hinge side	right
Convertible hinging	•
Can be installed side-by-side	•
Design	
Front color	Stainless steel/CleanSteel
Lighting	BrilliantLight
User convenience	
Networking with Miele@home	•
Freshness system	MasterFresh
DynaCool	•
NoFrost	•
DuplexCool Pro	•
SoftClose door closing damper	•
SelfClose	•
Push2open	•
FullAccess	•
EasyClean	•
MaxLoad hinge	•
Control	
Electronic temperature display and control	MasterSensor
Independent temperature control of fridge and freezer compartments	Yes
Super Cooling	•
SuperFrost	•
No. of temperature zones	3
Sabbath mode	•
Holiday mode	•
Eco mode	•
Fridge/fridge zone	
Height-adjustable toughened glass shelves	1
No. of PerfectFresh drawers	2
SlidingShelf	•
Door rack for tins	1
Inner door racks for bottles	2
Freezer/freezer zone	
Number of freezer baskets	2
Efficiency and sustainability	
Energy Star Qualified	•
Safety	
Lock function	•
Overflow protection	•
Acoustic door alarm	•
Acoustic temperature alarm, freezer section	•
Optical door alarm	•
Optical temperature alarm	•

KF 2812 SF

MasterCool™ fridge-freezer

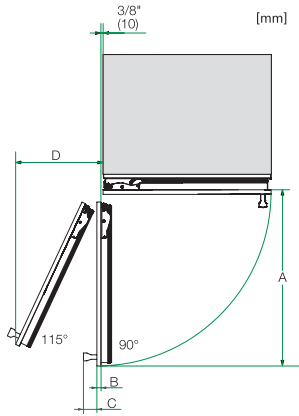
For high-end design and technology on a large scale.



EAN: 4002516321675 / Material number: 11502910 / Old Material Number: 38281211USA

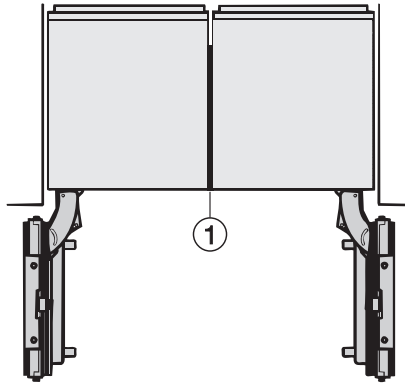
Technical data	
Niche width in inches (mm), min.	30 (762)
Niche width in inches (mm), max.	30 (762)
Niche height in inches (mm), min.	84 1/8 (2134)
Niche height in inches (mm), max.	84 1/8 (2134)
Niche depth in in.(mm)	24 1/8 (610)
Appliance width in in.(mm)	29 7/8 (756)
Appliance height in in.(mm)	83 3/4 (2125)
Appliance depth in in.(mm)	24 (608)
Weight in lbs.(kg)	445 (201.8)
Type of mounting	Fixed door
Total usable capacity in cu. ft. (l)	15.96 (452)
Current consumption in milliampere (mA)	4000
Voltage in V	120
Fuse rating in A	10
Number of phases	1
Frequency in Hz	60
Wire length in ft (m)	11 (3.5)
Replacing bulbs	Customer Service
Standard accessories	
Active AirClean filter	•
Available display languages	
Available display languages via MultiLingua	bahasa malaysia, dansk, deutsch, eesti, english, english (AU), english (CA), english (GB), english (US), español, français, français (CA), français (FR), hrvatski, italiano, latviesu, lietuviu, magyar, nederlands, norsk, polski, portugues, русский, română, slovenčina, slovenščina, srpski, suomi, svenska, türkçe, українська, čeština, ελληνικά,

KF 2812 SF MasterCool™ fridge-freezer For high-end design and technology on a large scale.



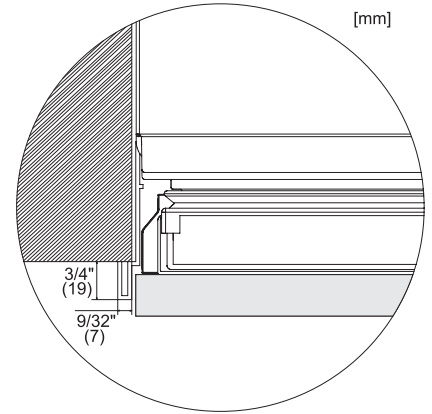
Opening angle 90°/115°, right side stop, MasterCool (Sketch) with footnote

A) Appliance door, K 2611 Vi, KWT 2611 Vi, KWT 2611 SF, KWT 2671 ViS: 677 mm (26 2/3 inch); K 2612 Vi, KWT 2612 Vi, KWT 2612 SF, KWT 2672 ViS: 677 mm (26 2/3 inch); K 2811 Vi, K 2811 SF, KF 2811 Vi, KF 2811 SF: 829 mm (32 2/3 inch); K 2812 Vi, K 2812 SF, KF 2812 Vi, KF 2812 SF: 829 mm (32 2/3 inch); K 2911 Vi, K 2911 SF, KF 2911 Vi, KF 2911 SF: 982 mm (38 2/3 inch); K 2912 Vi, K 2912 SF, KF 2912 Vi, KF 2912 SF: 982 mm (38 2/3 inch); B) Furniture front (max. 38 mm) (1 1/2 inch), C) Door handle, D) Distance from the door to the wall (without furniture front and door handle): K 2611 Vi, KWT 2611 Vi, KWT 2611 SF, KWT 2671 ViS: 296 mm (11 2/3 inch); K 2612 Vi, KWT 2612 Vi, KWT 2612 SF, KWT 2672 ViS: 296 mm (11 2/3 inch); K 2811 Vi, K 2811 SF, KF 2811 Vi, KF 2811 SF: 363 mm (14 1/3 inch); K 2812 Vi, K 2812 SF, KF 2812 Vi, KF 2812 SF: 363 mm (14 1/3 inch); K 2911 Vi, K 2911 SF, KF 2911 Vi, KF 2911 SF: 428 mm (16 7/8 inch); K 2912 Vi, K 2912 SF, KF 2912 Vi, KF 2912 SF: 428 mm (16 7/8 inch); E) ONLY valid for SF versions: A + 25 mm (1 inch)

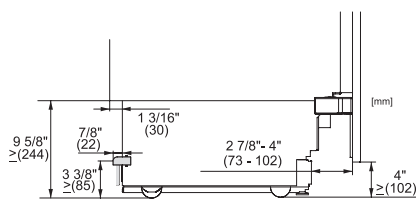


Side-by-side, MasterCool, without partition wall, with heating mat (Sketch) (with footnote)

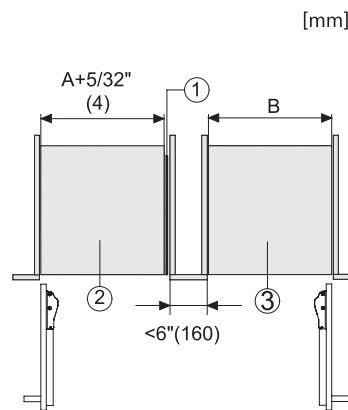
1) Heating mat KSK 2001 (EU, AUS, CN) or KSK 2002 (US, CA, MX, BR)



MasterCool, top view, doorway, installation drawings

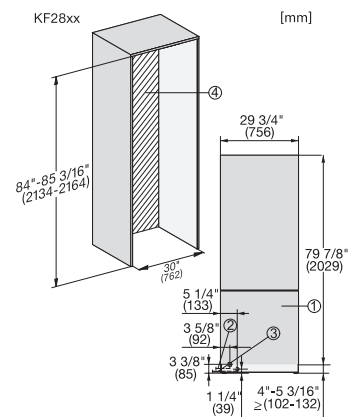


KF2901Vi/SF, KF2911Vi/SF, KF2801Vi/SF, KF2811Vi/SF, KF2981Vi/SF, sideview, MasterCool, installation drawings



Side-by-Side, MasterCool, footnote, installation drawings

1. KSK 2001/2002, 2. Device A, 3. Device B, A = niche device A, B = niche device B



KF2801Vi, KF2811SF, KF2811Vi, KF2811SF, KF2802Vi, KF2812SF, KF2812Vi, KF2812SF, MasterCool, installation drawings

1. View from the front, 2. Mains Connection cable, L = 3000 mm, 3. Water inlet position, L = 2000mm, 4. No water/ELT connections permitted in this area