

K 31222 Ui

Built-under refrigerator

Compact design with a practical interior layout.



- Optimum and maintenance-free LED lighting in compartment
- Door shelves can be cleaned in the dishwasher – ComfortClean

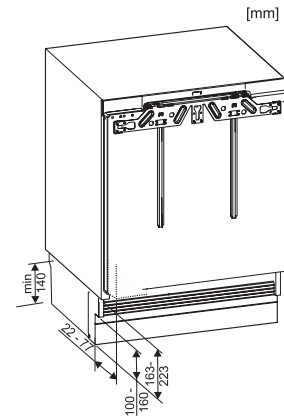
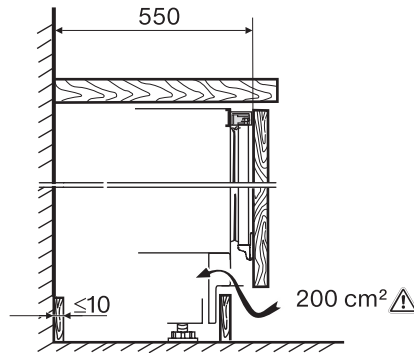
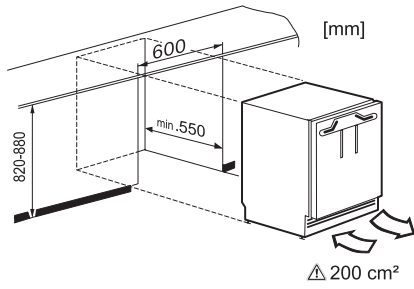
EAN: 4002515952566 / Material number: 10799700 / Old Material Number: 36312220USA

<b>Appliance category</b>	
Fridge	•
<b>Design</b>	
Built-in	•
Built-in integrated	•
Built-in built-under	•
Door hinge side	right
Convertible hinging	•
<b>Design</b>	
Type of lighting	LED
<b>User convenience</b>	
ComfortClean	•
<b>Control</b>	
Electronic temperature display and control	PicTronic
Independent temperature control of fridge and freezer compartments	No
Super Cooling	•
No. of temperature zones	1
<b>Fridge/fridge zone</b>	
No. of shelves	4
Number of door racks for cans	1
Door rack for bottles	1
<b>Safety</b>	
Lock function	•
Acoustic door alarm	•
<b>Technical data</b>	
Niche width in inches (mm), min.	23 5/8 (600)
Niche width in inches (mm), max.	23 5/8 (600)
Niche height in inches (mm), min.	32 3/8 (820)
Niche height in inches (mm), max.	34 3/4 (880)
Niche depth in in.(mm)	21 3/4 (550)
Appliance width in in.(mm)	23 5/8 (597)
Appliance height in in.(mm)	32 3/8 (820)
Appliance depth in in.(mm)	21 3/4 (550)
Weight in lbs.(kg)	79 (35.7)
Type of mounting	Fixed door
Maximum fridge compartment door front weight in lbs. (kg)	23 (10)
Total usable capacity in cu. ft. (l)	4.8 (136)
Current consumption in milliampere (mA)	2300
Voltage in V	115
Fuse rating in A	10
Number of phases	1
Frequency in Hz	60
Wire length in ft (m)	6 (1.9)
Replacing bulbs	Customer Service
<b>Standard accessories</b>	
Egg rack	•

## K 31222 Ui

Built-under refrigerator

Compact design with a practical interior layout.



K31222Ui, K31222Ui-1, K31225Ui, K31252Ui,  
K31252Ui-1, K31242UiF, K31242UiF-1, F31202Ui  
(installation drawings)

K31222Ui, K31222Ui-1, K31225Ui, K31252Ui,  
K31252Ui-1, K31242UiF, K31242UiF-1, F31202Ui, side  
view (installation draw)

K31222Ui, K31222Ui-1, K31225Ui, K31252Ui,  
K31252Ui-1, K31242UiF, K31242UiF-1 F31202Ui  
(installation drawings)