

DA 2360

Insert ventilation hood
with energy-efficient LED lighting and backlit controls for easy use.



- Customized kitchen design – fully integrated in 23 (584) in (mm) width
- Space saving – suitable for narrow wall units from 11.8" deep
- Powerful – 482.64 (820) ft³/min (m³/h) in Booster level
- Efficient filtration- 10-ply stainless steel grease filters
- Safe and easy to clean – Miele CleanCover

EAN: 4002515949887 / Material number: 10765130 /
Old Material Number: 28236055USA

| Construction type and design | |
|--|--------------------------------|
| Appliance colour | Stainless steel |
| Design | |
| Insert ventilation hood | • |
| Operating modes | |
| Recirculated mode | Can be retrofitted |
| Recirculation conversion kit (order separately) | DUU 151 |
| OdorFree charcoal filter (order separately) | DKF 19-P |
| User convenience | |
| Electronic controls | • |
| Operation | Light-touch switches with LEDs |
| Power levels (number excl. Intensive) | 3 |
| Booster levels | 1 |
| Cleaning convenience | |
| Easy-to-clean canopy interior – CleanCover | • |
| Filter system | |
| Number of dishwasher-safe stainless steel grease filters (10-ply) | 1 |
| Lighting | |
| Number x W | 2 x 3 W |
| Light intensity in lx | 350 lx |
| Color temperature in K | 3000 Kelvin |
| Blower | |
| Dual-action blower | • |
| AC motor | • |
| Exhaust air | |
| Maximum air throughput in cfm according to HVI | 395 |
| Air throughput | Values upon request |
| Air throughput in Booster level 1 (m ³ /h) | 482.64 (820) |
| Safety | |
| Safety shut-off | • |
| Technical data | |
| Canopy width in in.(mm) | 23 (584) |
| Canopy height in in.(mm) | 2 1/2 (63) |
| Canopy depth in in.(mm) | 11 3/4 (297) |
| Net weight in lbs. (kg) | 25 (11.0) |
| Length of electrical wire in ft (m) | 4 (1.5) |
| Standard plug fitted | • |
| Minimum height above electric cooktops in mm | 24 1/8 (610) |
| Minimum safety distance above gas cooktops (max. 12.6 kW total power, burner ≤ 4.5 kW) in mm | 26 (660) |
| Number of phases | 1 |
| Total connected load in kW | 0.35 |
| Voltage in V | 120 |
| Fuse rating in A | 15 |
| Frequency in Hz | 60 |

DA 2360

Insert ventilation hood

with energy-efficient LED lighting and backlit controls for easy use.



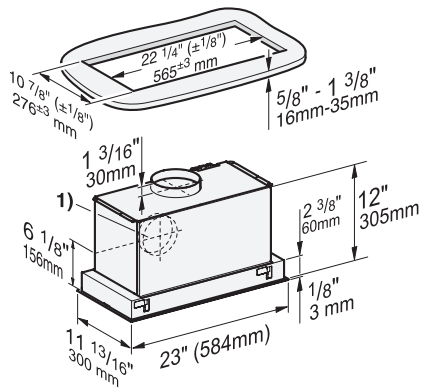
EAN: 4002515949887 / Material number: 10765130 /
Old Material Number: 28236055USA

| Installation note | |
|--|---------|
| Vent connection at top | • |
| Vent connection at top and rear | • |
| Diameter of vent connection in in.(mm) | 6 (150) |
| Standard accessories | |
| Non-return flap | • |

DA 2360

Insert ventilation hood

with energy-efficient LED lighting and backlit controls for easy use.



DA 2360 (Installation drawing) – USA

1) Vent connection alternatively to rear