

DA 2390

Insert ventilation hood
with energy-efficient LED lighting and backlit controls for easy use.



- Customized kitchen design – fully integrated in 34 7/8 (884) in (mm) width
- Space saving – suitable for narrow wall units from 11.8" deep
- Powerful – 488.52 (830) ft³/min (m³/h) in Booster level
- Efficient filtration- 10-ply stainless steel grease filters
- Safe and easy to clean – Miele CleanCover

EAN: 4002515939932 / Material number: 10743660 /
Old Material Number: 28239055USA

Construction type and design	
Color	Stainless steel
Design	
Insert ventilation hood	•
Operating modes	
Recirculated mode	Can be retrofitted
Recirculation conversion kit (order separately)	DUU 151
OdorFree charcoal filter (order separately)	DKF 19-P
User convenience	
Electronic controls	•
Power levels (number excl. Intensive)	3
Booster levels	1
Cleaning convenience	
Easy-to-clean CleanCover hood liner	•
Filter system	
Number of dishwasher-safe stainless-steel grease filters	2
Lighting	
LED	•
Number x W	4 x 3 W
Light intensity in lx	500 lx
Color temperature in K	3000 Kelvin
Blower	
Dual-action blower	•
AC motor	•
Exhaust air	
Maximum air throughput in cfm according to HVI	395
Air throughput	Values upon request
Air throughput in booster level 1 (cfm) (m ³ /h)	488.52 (830)
Safety	
Safety shut-off	•
Technical data	
Canopy width in in.(mm)	34 7/8 (884)
Canopy height in in.(mm)	2 1/2 (63)
Canopy depth in in.(mm)	11 3/4 (297)
Net weight in lbs. (kg)	29 (13.0)
Length of electrical wire in ft (m)	4 (1.5)
Standard plug fitted	•
Minimum distance above electric cooktops in in. (mm)	24 1/8 (610)
Minimum height above gas cooktop (max. 12.6 kW total power, burner ≤ 4.5 kW) in mm	26 (660)
Number of phases	1
Total connected load in kW	0.36
Voltage in V	120
Fuse rating in A	15
Frequency in Hz	60
Installation note	
Vent connection at top	•
Vent connection at top and rear	•

DA 2390

Insert ventilation hood

with energy-efficient LED lighting and backlit controls for easy use.



EAN: 4002515939932 / Material number: 10743660 /

Old Material Number: 28239055USA

Diameter of vent connection in in.(mm)

6 (150)

Standard accessories

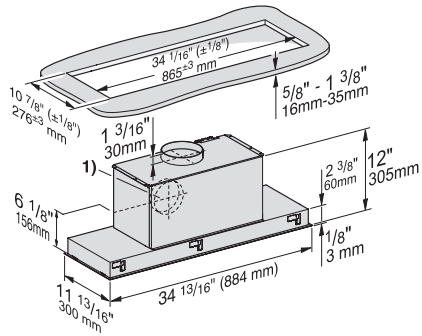
Non-return flap

•

DA 2390

Insert ventilation hood

with energy-efficient LED lighting and backlit controls for easy use.



DA2390 (Installation drawing) – US

1) Vent connection alternatively to rear