

## PUR 98 D

### Island décor hood

with energy-efficient LED lighting and backlit controls for easy use.



- Timeless design – stainless steel canopy 35 3/8 (898) in (mm) wide
- Powerful – ?? in Booster level
- Efficient filtration- 10-ply stainless steel grease filters
- Safe and easy to clean – Miele CleanCover
- Suitable for every home – vented or recirculating

EAN: 4002515940082 / Material number: 10743130 /  
Old Material Number: 28410857USA

<b>Construction type and design</b>	
Color	Stainless steel
<b>Design</b>	
Island ventilation hood	•
<b>Operating modes</b>	
Recirculated mode	Can be retrofitted
Recirculation conversion kit (order separately)	DUI 32
OdorFree charcoal filter (order separately)	DKF 12-P
<b>User convenience</b>	
Electronic controls	•
Power levels (number excl. Intensive)	3
Booster levels	1
Programmable Intensive switch-off	•
<b>Cleaning convenience</b>	
Easy-to-clean CleanCover hood liner	•
<b>Filter system</b>	
Number of dishwasher-safe stainless-steel grease filters	3
<b>Lighting</b>	
LED	•
Number x W	4 x 3 W
Light intensity in lx	500 lx
Color temperature in K	3000 Kelvin
<b>Blower</b>	
Dual-action blower	•
AC motor	•
<b>Exhaust air</b>	
Maximum air throughput in cfm according to HVI	430
Air throughput	Values upon request
<b>Safety</b>	
Safety shut-off	•
<b>Technical data</b>	
Overall min. height for vented and external in in. (mm)	27 1/4 (690)
Canopy width in in.(mm)	35 3/8 (898)
Overall max. height for vented and external in in. (mm)	39 (990)
Canopy height in in.(mm)	2 7/8 (70)
Overall min. height for recirculation in in. (mm)	29 5/8 (750)
Canopy depth in in.(mm)	23 5/8 (598)
Overall max. height for recirculation in in. (mm)	41 3/4 (1060)
Net weight in lbs. (kg)	75 (34.0)
Hard-wired	•
Minimum distance above electric cooktops in in. (mm)	24 1/8 (610)
Minimum height above gas cooktop (max. 12.6 kW total power, burner ≤ 4.5 kW) in mm	26 (660)
Number of phases	1
Total connected load in kW	0.36
Voltage in V	120
Fuse rating in A	15
Frequency in Hz	60

PUR 98 D

Island décor hood

with energy-efficient LED lighting and backlit controls for easy use.



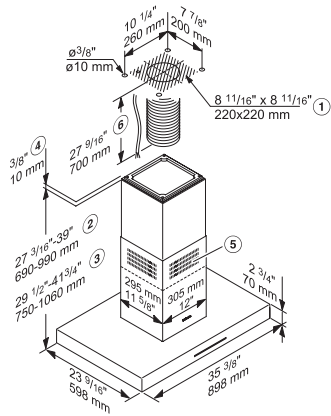
EAN: 4002515940082 / Material number: 10743130 /  
Old Material Number: 28410857USA

<b>Installation note</b>	
Vent connection at top	•
Diameter of vent connection in in.(mm)	6 (150)
Telescopic chimney	•
<b>Standard accessories</b>	
Non-return flap	•

## PUR 98 D

### Island décor hood

with energy-efficient LED lighting and backlit controls for easy use.



PUR 98 D (Installation drawing) – USA/CDN

1) Installation area/site, 2) Vented, 3) Recirculation, 4) Installation alternatively with spacer frame, 5) Ventilation grille positioned at the top for recirculation, 6) A supply lead, and for vented mode flexible vent ducting, must be pre-fitted for the connection in the ceiling to the connection of the cooker hood.