

KFN 15943 DE edt/cs  
 Freestanding fridge-freezer  
 30" (75 cm) wide for a lot of storage space.



- Optimum and maintenance-free LED lighting in compartment
- High efficiency and top-class freshness
- No icing up of food and no need to defrost thanks to Frost free
- Convenient and effortless opening – EasyOpen
- Ice cubes thanks to the plumbed IceMaker

EAN: 4002515887578 / Material number: 10721530 / Old Material Number: 38159435CDN

<b>Appliance category</b>	
Fridge-freezer	•
<b>Design</b>	
Free-standing	•
Door hinge side	right
Convertible hinging	•
<b>Design</b>	
Casing color	Stainless steel look
Front color	Stainless steel/CleanSteel
Type of lighting	LED
<b>User convenience</b>	
ComfortClean	•
DynaCool	•
NoFrost	•
DuplexCool	•
VarioRoom	•
SoftClose door closing damper	•
IceMaker with plumbed water connection	•
Concealed door opener	EasyOpen lever handle
<b>Control</b>	
Electronic temperature display and control	TouchControl
Fridge compartment can be switched off	Yes
Independent temperature control of fridge and freezer compartments	Yes
Super Cooling	•
SuperFrost	•
No. of temperature zones	2
Sabbath mode	•
<b>Fridge/fridge zone</b>	
No. of shelves	4
Chrome-plated metal bottle rack	•
of which on castors	2
Half width storage racks	4
Door rack for bottles	1
<b>Freezer/freezer zone</b>	
Number of freezer drawers	4
<b>Efficiency and sustainability</b>	
Energy Star Qualified	•
<b>Safety</b>	
Lock function	•
Acoustic door alarm	•
Acoustic temperature alarm, freezer section	•
Acoustic temperature alarm	•
Optical door alarm	•
Optical temperature alarm	•
Power cut indication for freezer compartment	•
<b>Technical data</b>	
Appliance width in in.(mm)	29 5/8 (750)
Appliance height in in.(mm)	79 5/8 (2020)
Appliance depth in in.(mm)	24 7/8 (630)

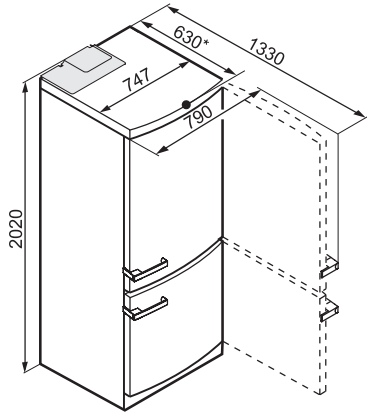
KFN 15943 DE edt/cs  
 Freestanding fridge-freezer  
 30" (75 cm) wide for a lot of storage space.



EAN: 4002515887578 / Material number: 10721530 / Old Material Number: 38159435CDN

Weight in lbs.(kg)	256 (116.0)
Climatic classification	SN-T
Total usable capacity in cu. ft. (l)	15.96 (452)
Storage time in case of fault in h	24
Current consumption in milliampere (mA)	2500
Voltage in V	115
Fuse rating in A	15
Number of phases	1
Frequency in Hz	60
Wire length in ft (m)	7 (2.4)
Replacing bulbs	Customer Service
<b>Standard accessories</b>	
Butter dish	•
Egg rack	•
Freezer packs	•

KFN 15943 DE edt/cs  
Freestanding fridge-freezer  
30" (75 cm) wide for a lot of storage space.



KFN14947SDEed/cs-1, KFN14943SDed/cs-1, KFN14943SDEed/cs-1, KFN16947Ded/cs, KFN15943Ded/cs (\*footnote)

\*To ensure that energy consumption as stated is achieved, machines should be used together with the enclosed spacer brackets. This increases the total depth of the unit by approx. 3.5 cm. , Machines are still fully functional when operated without these brackets but have a slightly higher energy consumption.,