

## DA 399-7 Classic

### Wall ventilation hood

with energy-efficient LED lighting and backlit controls for easy use.



- Design – 35 3/8 (898) in (mm) wide trapezoidal canopy
- Powerful – 488.52 (830) ft<sup>3</sup>/min (m<sup>3</sup>/h) in Booster level
- Efficient filtration- 10-ply stainless steel grease filters
- Safe and easy to clean – Miele CleanCover
- For perfect functionality – accessories for proper venting

EAN: 4002515802199 / Material number: 10558800 /  
Old Material Number: 28399750USA

<b>Construction type and design</b>	
Appliance colour	Stainless steel
<b>Design</b>	
Wall ventilation hood	•
<b>Operating modes</b>	
Recirculated mode	Can be retrofitted
Recirculation conversion kit (order separately)	DUW 20
OdorFree charcoal filter (order separately)	DKF 12-P
<b>User convenience</b>	
Electronic controls	•
Operation	Light-touch switches with LEDs
Power levels (number excl. Intensive)	3
Booster levels	1
<b>Cleaning convenience</b>	
Easy-to-clean canopy interior – CleanCover	•
<b>Filter system</b>	
Number of dishwasher-safe stainless steel grease filters (10-ply)	3
<b>Lighting</b>	
Number x W	2 x 3 W
Light intensity in Lx	300 lx
Color temperature in K	3000 Kelvin
<b>Blower</b>	
Dual-action blower	•
AC motor	•
<b>Exhaust air</b>	
Maximum air throughput in cfm according to HVI	418
Air throughput	Values upon request
Air throughput in Booster level 1 (m <sup>3</sup> /h)	488.52 (830)
<b>Safety</b>	
Safety shut-off	•
<b>Technical data</b>	
Overall hood height for vented mode and external in inches (mm)	27 3/8 (695)–40 (1015)
Overall height for recirculation mode ventilation hoods in mm	32 1/2 (825)–45 1/8 (1145)
Canopy width in in.(mm)	35 3/8 (898)
Overall min. height for vented and external in in. (mm)	27 3/8 (695)
Overall max. height for vented and external in in. (mm)	40 (1015)
Canopy height in in.(mm)	4 3/4 (120)
Overall min. height for recirculation in in. (mm)	32 1/2 (825)
Canopy depth in in.(mm)	20 1/2 (520)
Overall max. height for recirculation in in. (mm)	45 1/8 (1145)
Net weight in lbs. (kg)	58 (26.0)
Length of electrical wire in ft (m)	4 (1.5)
Standard plug fitted	•
Minimum height above electric cooktops in mm	24 1/8 (610)

## DA 399-7 Classic

### Wall ventilation hood

with energy-efficient LED lighting and backlit controls for easy use.



EAN: 4002515802199 / Material number: 10558800 /  
Old Material Number: 28399750USA

Minimum safety distance above gas cooktops (max.  
12.6 kW total power, burner  $\leq$  4.5 kW) in mm 26 (660)

Number of phases	1
Total connected load in kW	0.35
Voltage in V	120
Fuse rating in A	15
Frequency in Hz	60

#### Installation note

Vent connection at top	•
Vent connection at top and rear	•
Diameter of vent connection in in.(mm)	6 (150)
Telescopic chimney	•

#### Standard accessories

Non-return flap	•
-----------------	---

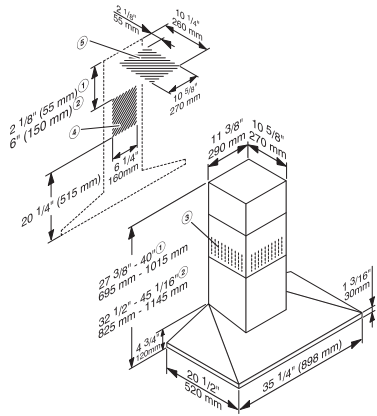
#### Optional accessories

OdorFree charcoal filter, can be reactivated	DKF 12-R
--	----------

## DA 399-7 Classic

### Wall ventilation hood

with energy-efficient LED lighting and backlit controls for easy use.



DA 399-6 (Installation drawing) – USA

1) Extraction, 2) Recirculation, 3) Ventilation grille at top for recirculation, 4+5) Installation cut-out (5 not required for recirculation)